

# User Manual



ENH710EXT  
version 1.0

## Dual Band Long Range Wireless N600 Outdoor Access Point

# IMPORTANT

To install this Access Point please refer to the Quick Installation Guide included in the product packaging.

# Table of Contents

Chapter 1 Product Overview. ....	4	Wireless Security.....	41
Key Features/Introduction. ....	5	Wireless MAC Filtering.....	42
System Requirements. ....	6	Wireless Advanced. ....	43
Package Contents. ....	7	WPS Mixed-Enterprise: AP/WDS AP Mode. ....	44
Technical Specifications.. ....	8	WDS Link Settings. ....	45
Physical Interface. ....	10	Client Bridge Settings.....	46
Chapter 2 Before You Begin.....	11	Guest Network Settings. ....	47
Computer Settings. ....	12	Chapter 8 Management.....	48
Hardware Installation. ....	15	Management VLAN Settings.....	49
Mounting the ENH710EXT.....	16	Advanced Settings.....	50
Chapter 3 Configuring Your Access Point. ....	20	CLI Settings/Email Alert.....	51
Default Settings./Web Configuration.. ....	21	Time Zone.....	53
Chapter 4 Building a Wireless Network. ....	22	Auto Reboot Settings.....	54
Access Point Mode. ....	23	Wi-Fi Scheduler.....	55
Client Bridge Mode.....	24	Tools. ....	56
WDS AP Mode. ....	25	Account/Firmware.....	58
WDS Bridge Mode.....	26	Backup/Restore .....	59
WDS Station Mode.....	27	Log. ....	61
Chapter 5 Status. ....	28	Logout/Reset.....	62
Main Status.....	29	Appendix. ....	63
Connection.....	31	FCC Interference Statement. ....	64
Chapter 6 Network.....	33	CE Interference Statement. ....	65
Basic IP Settings. ....	34	IC Interference Statement.....	68
Spanning Tree Protocol Setting. ....	35	Professional Installation Instruction. ....	69
Chapter 7 2.4 GHz/5 GHz Wireless. ....	36	Instructions d’installation professionnelle.....	70
WirelessSettings.....	37	Detachable Antenna Usage. ....	71
2.4 GHz/5 GHz Wireless Network. ....	38		
2.4GHz/5 GHz SSID Profile.. ....	40		

# Chapter 1

# Product Overview



# Introduction

## Key Features

- Up to 27 dBm transmit power enabling long range connectivity
- Supports IEEE802.11a/b/g/n wireless standards with up to 300 Mbps data rate on each band.
- Two detachable 5 dBi 2.4 GHz Omni-directional antennas
- Two detachable 7 dBi 5 GHz Omni-directional antennas
- Can be used with included power adapter or via PoE with PoE 802.3at - capable switches or injectors
- Band Steering shifts dual band clients to 5 GHz for better throughput performance
- Secured Guest Network option available

## Introduction

The ENH710EXT is a high-powered, long-range 2x2 Dual-Band Wireless 802.11a/b/g/n Outdoor Access Point with speeds up to 450 Mbps on both its high-powered 2.4 GHz and 5 GHz radios. It can be configured as an: Access Point, Client Bridge or WDS (AP, Station & Bridge). The ENH710EXT is designed to operate in a variety of outdoor environments. Its high-powered, long-range characteristics make it a cost effective alternative to ordinary Access Points that don't have the range and reach to connect to a growing number of wireless users who wish to connect



to a business network. The ENH710EXT supports the 2.4 GHz frequency band under 802.11 b/g/n mode while at the same time providing the 5 GHz band for communicating to and from other 5 GHz capable computers, tablets or smart phones or transferring files. Several ENH710EXTs can be deployed in a campus setting using the 5 GHz band as

Maximum data rates are based on IEEE 802.11 standards. Actual throughput and range may vary depending on many factors including environmental conditions, distance between devices, radio interference in the operating environment, and mix of devices in the network. Features and specifications subject to change without notice. Trademarks and registered trademarks are the property of their respective owners. For United States of America: Copyright © 2014 EnGenius Technologies, Inc. All

rights reserved.

a backhaul to provide multiple 2.4 GHz wireless cells for computers or mobile devices in common outdoor areas. The ENH710EXT is easy to install in virtually any location with its included PoE (Power over Ethernet) injector for quick outdoor installation. The ENH710EXT enables network administrators to control its transmit power and features settings for selecting narrow bandwidth and traffic shaping. The ENH710EXT also supports wireless encryption including Wi-Fi Protected Access (WPA-PSK/WPA2-PSK) Encryption and IEEE 802.1X with RADIUS.)

## System Requirements

The following are the Minimum System Requirements in order to configure the device.

- Computer with an Ethernet interface or wireless network capability
- WindowsOS (XP, Vista, 7, 8), MacOS, or Linux-based operating systems
- Web-Browsing Application (i.e.: Internet Explorer, Firefox, Safari, or another similar browser application)

## Package Contents

The ENH710EXT package contains the following items:\*

- ENH710EXT Access Point
- 2 detachable 5 dBi 2.4 GHz Omni-directional Antenna
- 2 detachable 7 dBi 5 GHz Omni-directional Antenna
- Power Adapter
- PoE Injector(EPE-48GR)
- Grounding Cable
- Pole Mount Bracket
- Wall Mount Base
- Mounting Screw Set
- Quick Installation Guide

\*(all items must be in package to issue a refund):



# Technical Specifications

## Standard:

IEEE802.11a/n on 5 GHz

IEEE802.11b/g/n on 2.4GHz

IEEE802.3at

## Antenna

4 External N-type Antennas

2 x detachable 5dBi 2.4GHz Omni-directional Antennas

2 x detachable 7dBi 5GHz Omni-directional Antennas

## Physical Interface

2 x 10/100/1000 Gigabit Ethernet Port with PoE support

LAN1 Port supports IEEE802.3at PoE Input

## LED Indicator

Power

LAN 1

LAN 2

2.4 GHz

5 GHz

## Power Requirements

External Power Adapter, DC IN, 48V/0.5A

IEEE802.3at support

## Operation Modes

Access Point

Client Bridge

WDS

## WDS Detail

WDS AP

WDS Bridge

WDS Station

## Optimal Performance

Distance Control (Ack Timeout)

Multicast Supported

Band Steering

Fast Roaming

Auto Channel Selection

BSSID Support

## Easily Management

VLAN Tag / VLAN Pass-through

Guest Network

QoS: Complaint with IEEE 802.11e /WMM

RADIUS Accounting

Wireless STA (Client) connection list

Traffic Shaping (Per SSID, Per user)

## Intuitive Tools

SNMP v1/v2c/v3 support

MIB I/II, Private MIB

Save Configuration as Default

CLI Support

WiFi-Scheduler/Auto Reboot

E-mail Alert

## Reinforcement Security

WEP Encryption-64/128/152 bit

WPA/WPA2 Enterprise (WPA-EAP using TKIP or AES)

Hide SSID in beacons

MAC address filtering up to 32 MACs per SSID

Https Support

SSH

## QoS (Quality of Service)

Compliant with IEEE 802.11e standard

## Physical/Environment Conditions

Operating:

Temperature: -4 °F to 158 °F (-20 °C to 70 °C)

Humidity (non-condensing): 90% or less

Storage:

Temperature: -22 °F to 176 °F (-30 °C to 80 °C)

Humidity (non-condensing): 90% or less

# Physical Interface

## Dimensions and Weights

Length: 280.48mm (11.22")

Width: 217.65mm (8.58")

Depth: 55.50mm (2.1")

Weight: 1.88Kg (4.17 lbs)



- 1 2.4 GHz Antennas: Detachable 5 dBi 2.4 GHz Omni-directional
- 2 5 GHz Antennas: Detachable 7 dBi 5 GHz Omni-directional
- 3 LAN Port 1 (802.3at PoE Input): Ethernet port for RJ-45 cable.
- 4 LAN Port 2: Ethernet port for RJ-45 cable.

# Chapter 2

# Before You Begin

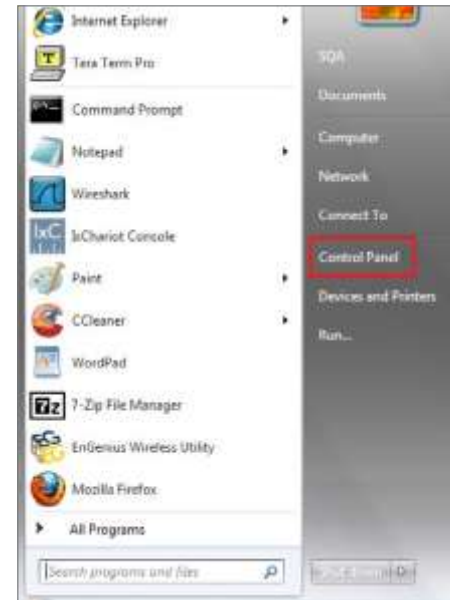


# Computer Settings

Windows XP/Windows 7/Windows 8

In order to use the ENH710EXT, you must first configure the TCP/IPv4 connection of your Windows OS computer system.

1a. Click the Start button and open the Control Panel



*Windows XP*

*Windows 7*

1b. Move your mouse to the lower right hot corner to display the Charms Bar and select the Control Panel in Windows 8 OS.



2a. In Windows XP, click Network Connections.



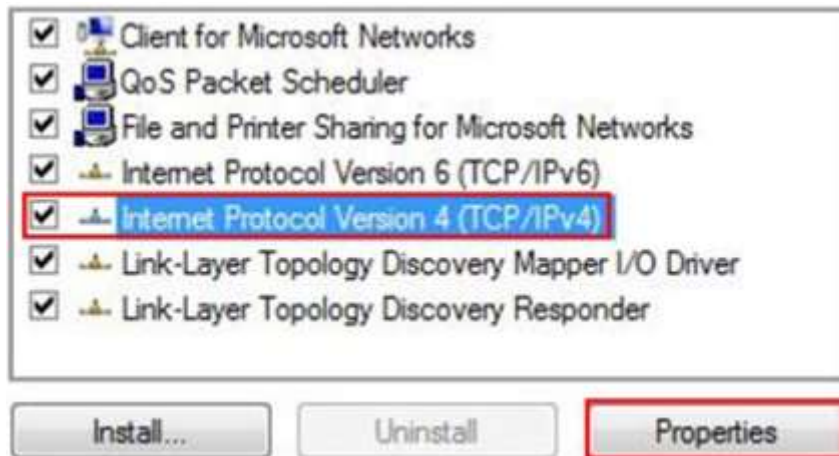
2b. In Windows 7/Windows 8, click View Network Status and Tasks in the Network and Internet section, then select Change adapter settings.



3. RightclickonLocalAreaConnectionandselectProperties.



4. Select Internet Protocol Version 4 (TCP/IPv4) and then select Properties.



5. Select Use the following IP address and enter an IP address that is different from the ENH710EXT and Subnet mask, then clickOK.

Note: Ensure that the IP address and Subnet mask are on the same subnet as the device.

For example: ENH710EXT IP address: 192.168.1.1

PCIPAddress:192.168.1.2–192.168.1.255

PC Subnet mask: 255.255.255.0



## Apple Mac OS X

1. Go to System Preferences (Which can be opened in the Applications folder or selecting it in the Apple Menu).
2. Select Network in the Internet & Network section.



3. Highlight Ethernet.

4. In Configure IPv4, select Manually.
5. Enter an IP address that is different from the ENH710EXT and Subnet mask then press OK.

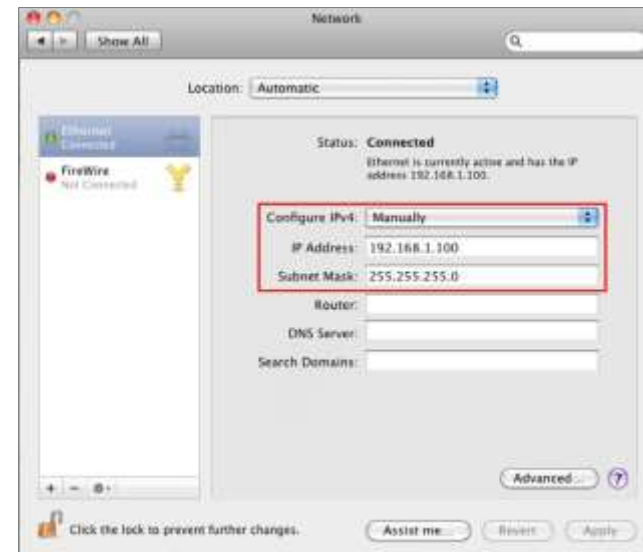
**Note:** Ensure that the IP address and Subnet mask are on the same subnet as the device.

For example: ENH710EXT IP address: 192.168.1.1

PC IP address: 192.168.1.2–192.168.1.255

PC Subnet mask: 255.255.255.0

6. Click Apply when done.

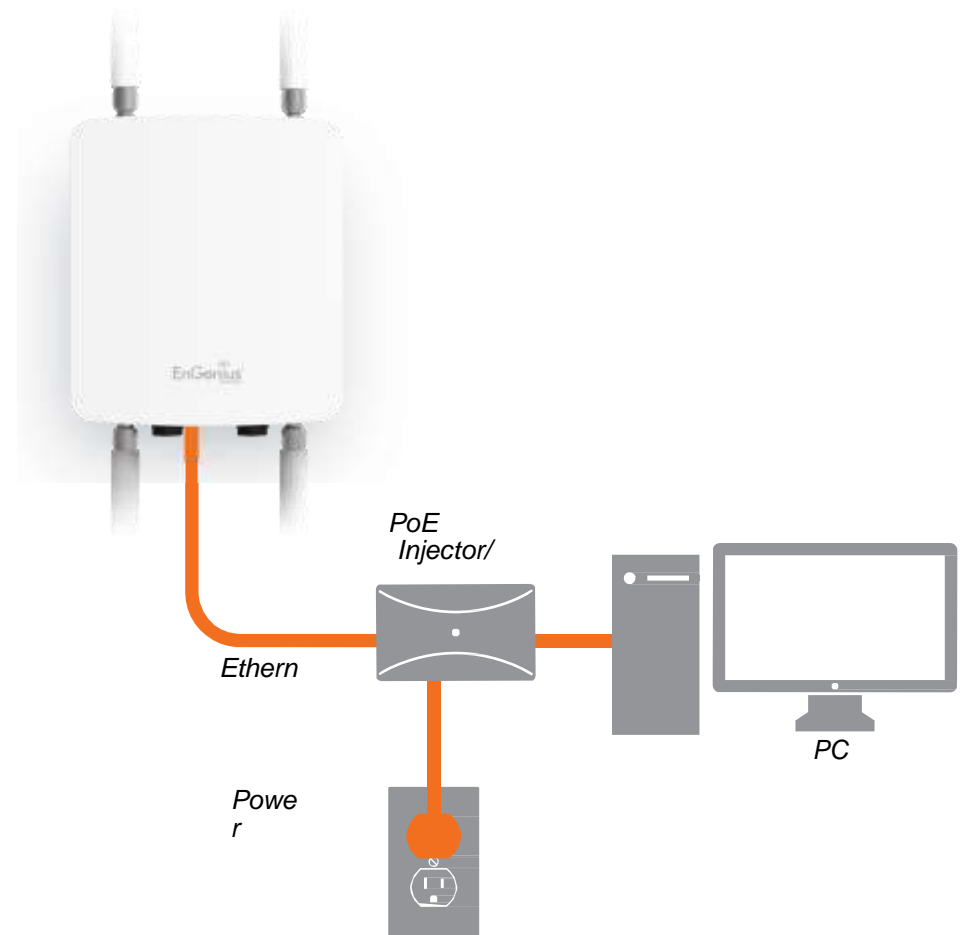




# Hardware Installation

1. Connect one end of the Ethernet cable into the main LAN port (PoE) of the Access Point and the other end to the AP Ethernet port on the PoE injector.
2. Connect the Power Adapter to the DC-IN port of the PoE injector and plug the other end in to an electrical outlet.
3. Connect the second Ethernet cable into the LAN port of the PoE injector and the other end to the Ethernet port on the computer.
4. Screw on the provided antennas to the device. Once both connections are secure, verify the following:
  - a) Ensure that the **POWER** light is on (it will be green).
  - b) Ensure that the 2.4 GHz/5 GHz WLAN light is on (it will be green for both 5 GHz and 2.4 GHz).
  - c) Ensure that the LAN (Computer/ENH710EXT Connection) light is on (it will be green).
  - d) Once all three lights are on, proceed to set up the Access Point using the computer.

This diagram depicts the hardware configuration.

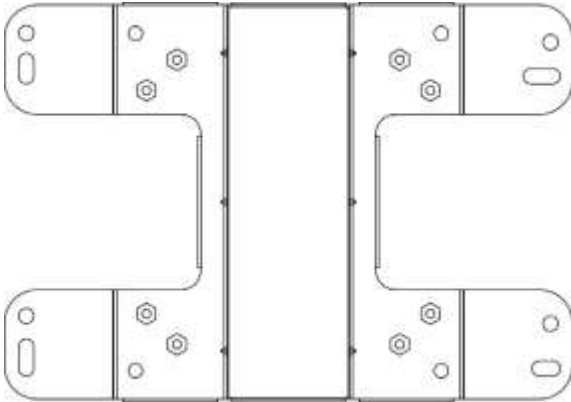


Note: The Access Point supports both IEEE 802.3at PoE (Power over Ethernet) or the included power injector. You may use either one as the power source. Do NOT use both at the same time.

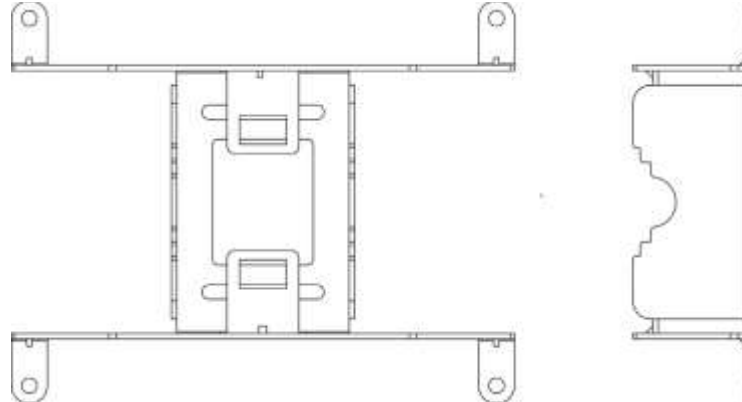
# Mounting the ENH710EXT

Using the provided hardware, the ENH710EXT can be attached to a wall or a pole.

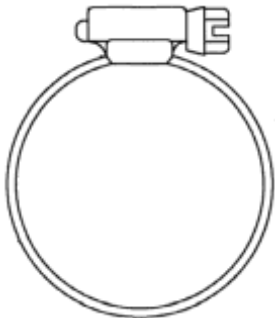
1. Wall Mount Kit: 260x180x7 (mm)  
(10.2" x 7.09" x 0.28")



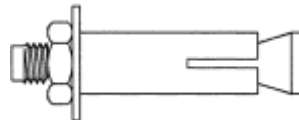
2. Pole Mount Kit 140x112x33 (mm)  
(5.51" x 4.41" x 1.30")



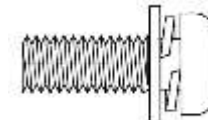
3. Pipe 63.5 (D) x 12.7 (mm)  
(2.5"(D) x 0.5")



4. Tool 20(D)x6 (mm)  
(0.79"(D) x 0.24")

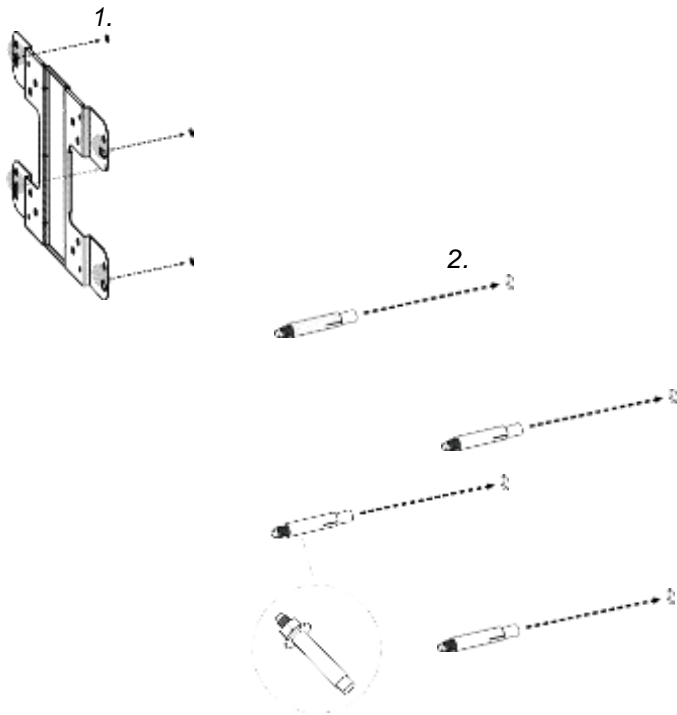


5. Screws: 6.5(D) x 9.95 (mm)  
(0.26"(D) x 0.39")

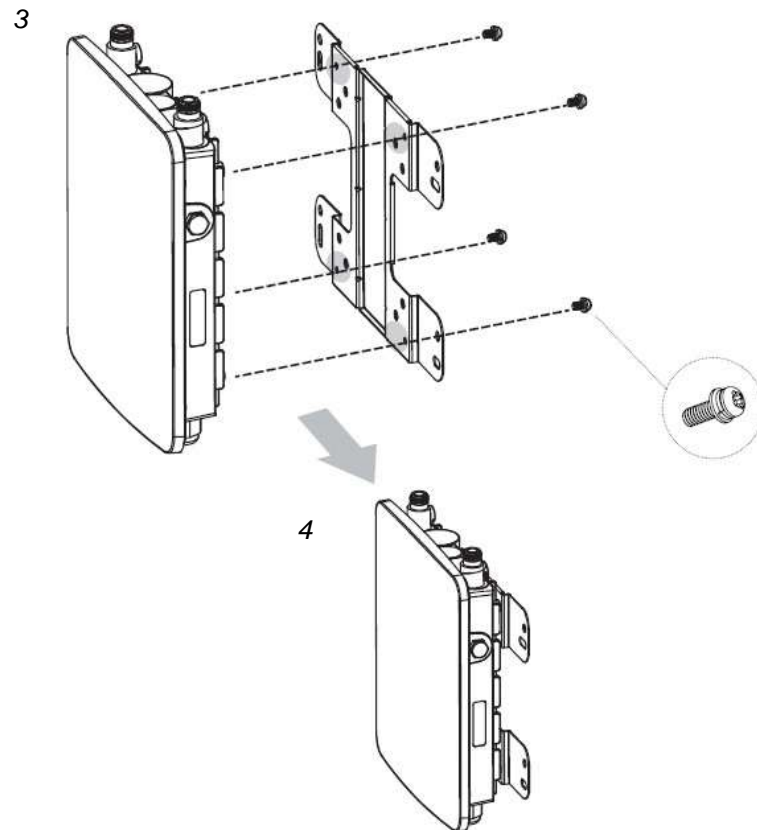


## To attach the ENH710EXT to a wall using wall mounting kit.

1. Mark the four locations of the mounting holes on the flat mounting surface.
2. Drill a 37 mm deep 8 mm hole in the markings and hammer the bolts into the openings.



3. Place the lock and flat washers on the four hex cap screws and drive the screws to attach the bracket to the back of the Access Point.
4. Tighten the flat washers to secure the bracket to the mounting surface.



To attach the ENH710EXT to a pole using the provided pole mounting kit:

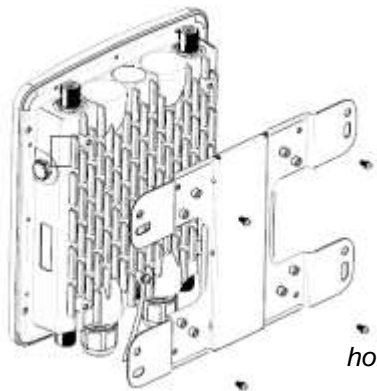
1. Place the lock and flat washer on the four hex capscrews and drive the screws to attach the bracket to the back of the Access Point.
2. Drive the four round head screws to attach the Pole Mount Bracket to the bracket.
3. Thread the open end of the Pole Strap through the two

tabs on the Pole Mount Bracket .

4. Lock and tighten the Pole Strap to secure the Pole Mount Bracket to the pole.

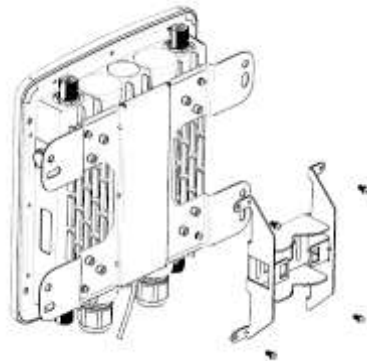
Note: See diagram below for vertical and horizontal placements.

1

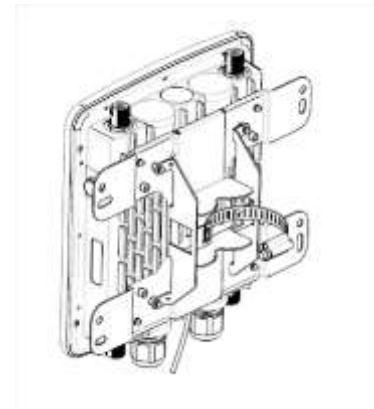
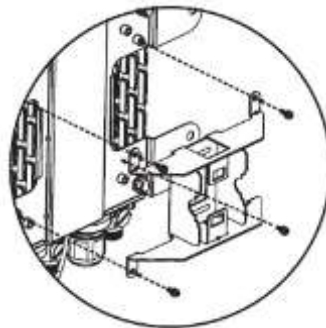


*vertical placement*

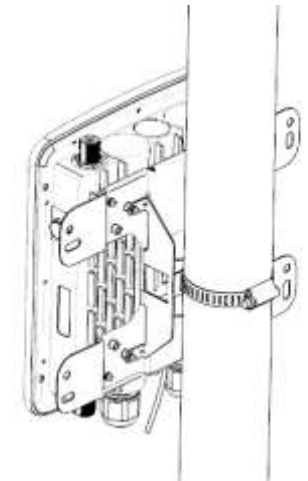
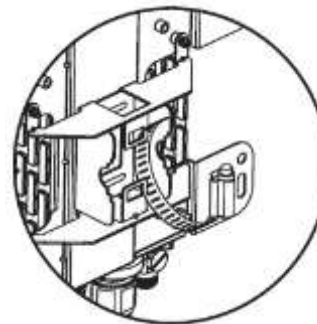
*horizontal placement*



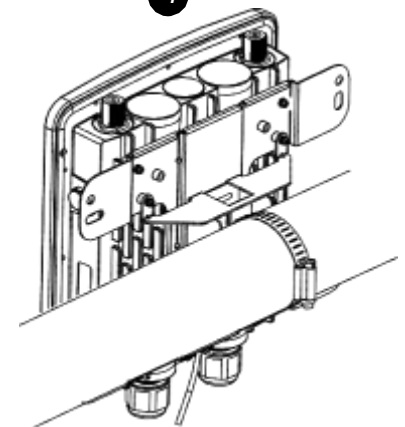
2



3

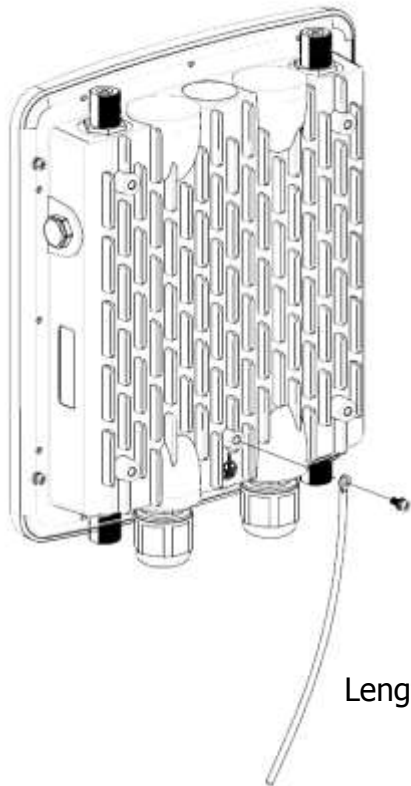


4

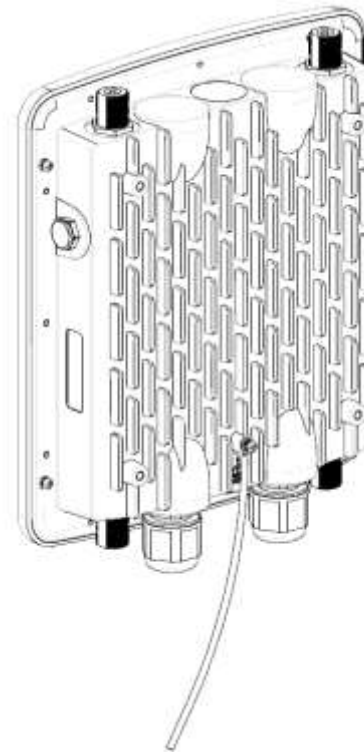


## To install the ground cable on the ENH710EXT

1. Use the attached screws to pass the ground cable as shown in the figure below.
2. Assemble the ground cable on the device.



Length: 1.8m (5.9")



# Chapter 3

# Configuring Your Access Point



# Configuring Your Access Point

This section will show you how to configure the device using the web-based configuration interface.

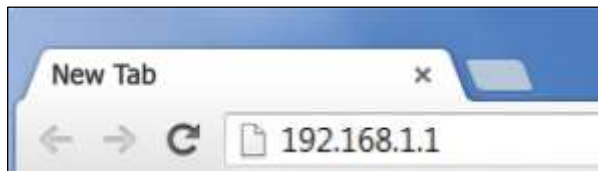
## Default Settings

Please use your Ethernet port or wireless network adapter to connect the Access Point.

IP Address	192.168.1.1
Username / Password	admin / admin

## Web Configuration

1. Open a web browser (Internet Explorer/Firefox/Safari/Chrome) and enter the IP Address `http://192.168.1.1`



**Note:** If you have changed the default LAN IP Address of the Access Point, ensure you enter the correct IP Address.

2. The default username and password are admin. Once you have entered the correct username and password, click the Login button to open the web-based configuration page.



3. If successful, you will be logged in and see the ENH710EXT User Interface.



# Chapter 4

# Building a Wireless Network

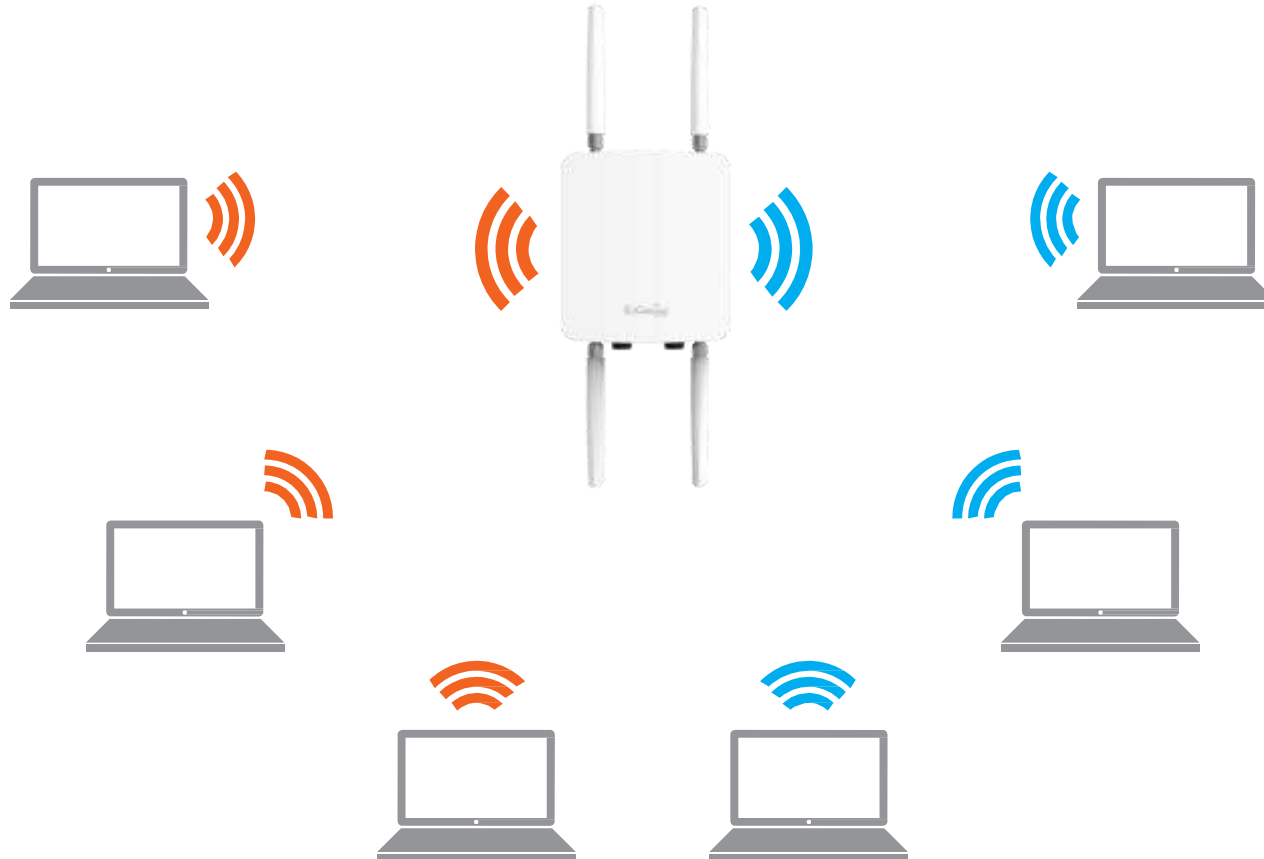




The ENH710EXT has the ability to operate in various modes. This chapter describes the operating modes of the ENH710EXT.

## Access Point Mode

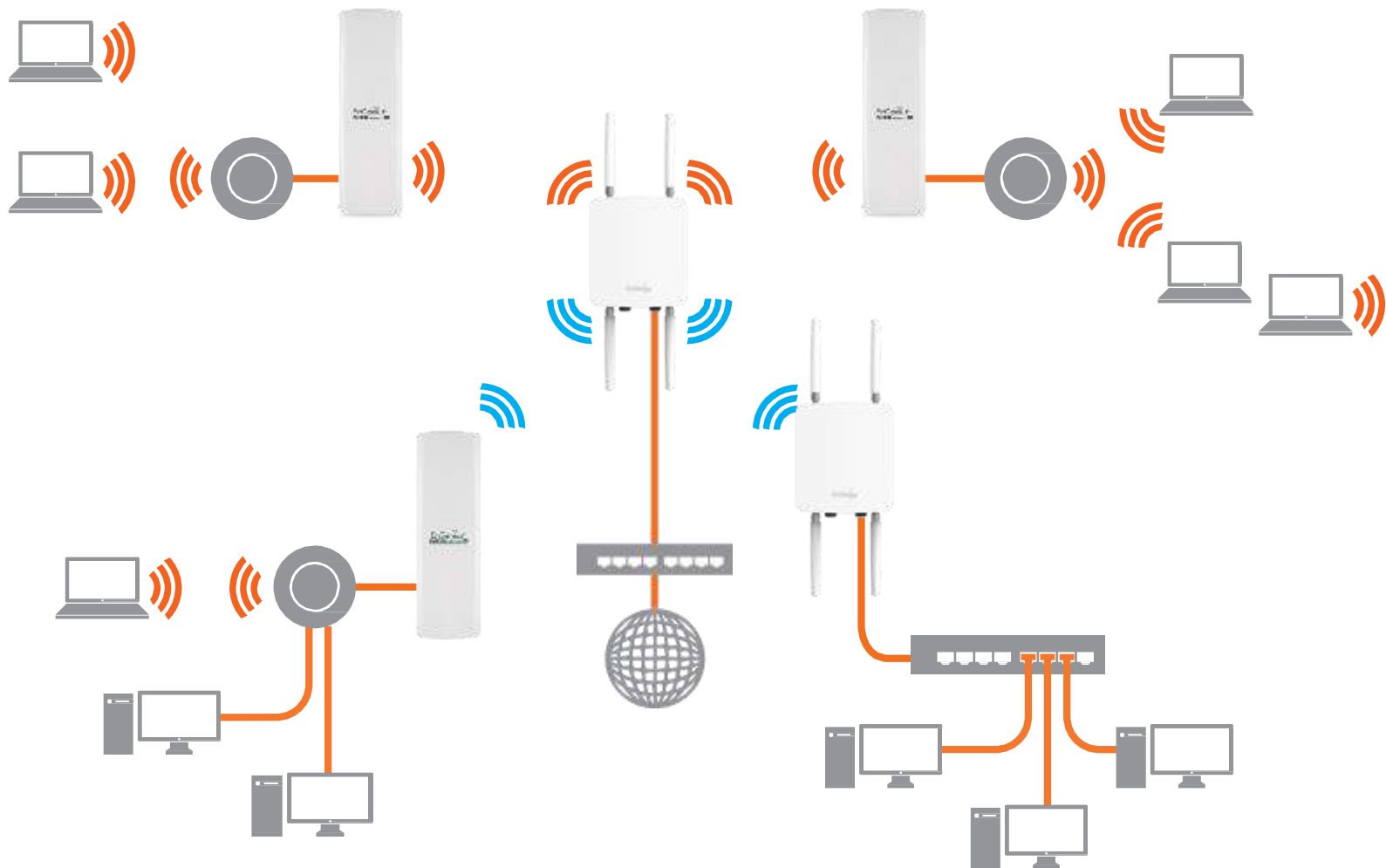
In Access Point Mode, ENH710EXT behaves like a central connection for stations or clients that support IEEE 802.11a/b/g/n networks. The stations and clients must be configured to use the same SSID (Service Set Identifier) and security password to associate with the ENH710EXT. The ENH710EXT supports up to eight (8) SSIDs per band at the same time for secure access.



## Client Bridge Mode

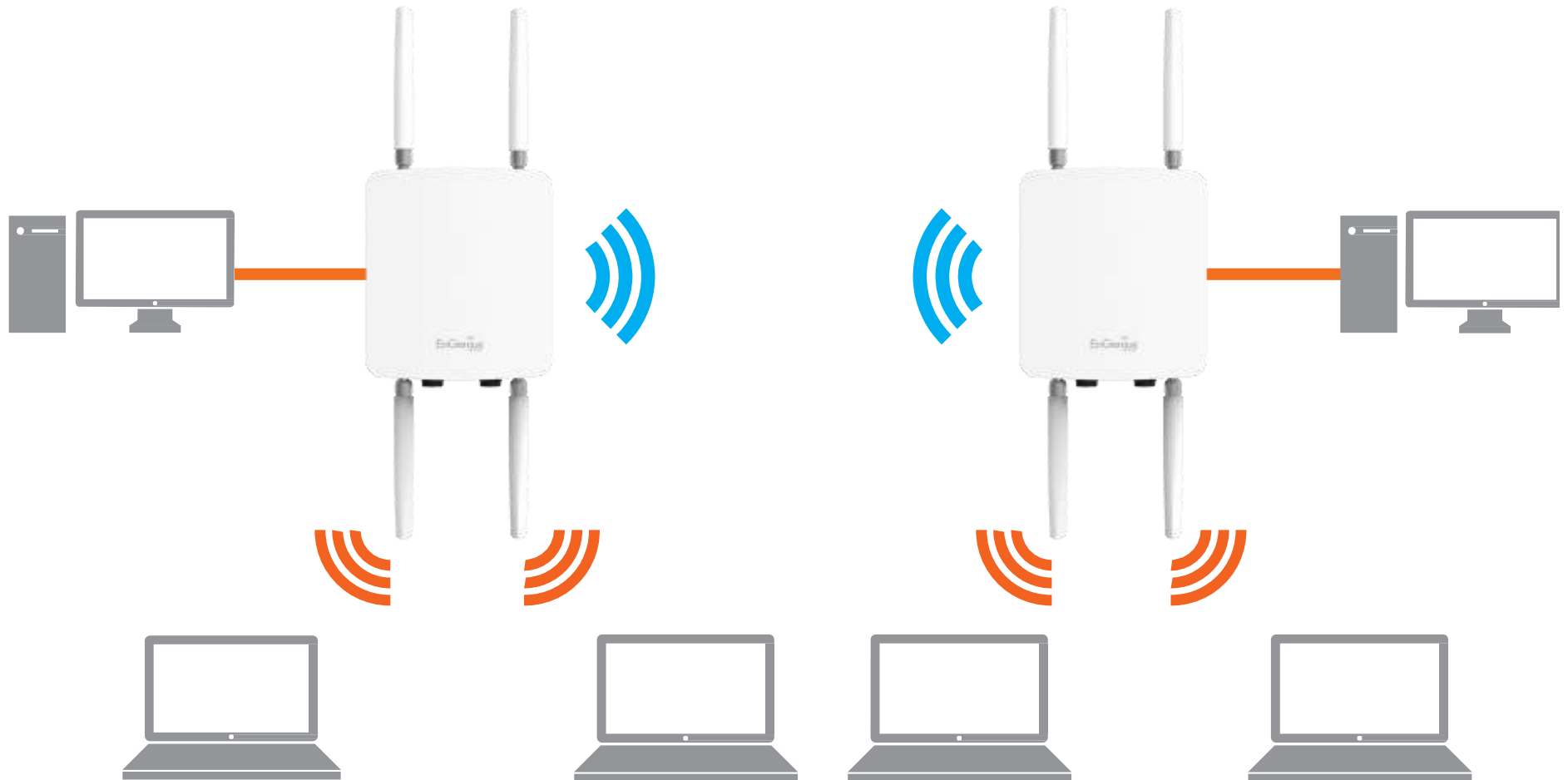
The ENH710EXT essentially acts as a wireless adapter that connects to an access point to allow a system of wireless access to the network in the Client Bridge mode. Since the computers are on the same subnet, the ENH710EXT can broadcast to reach all end-devices.

If you use the client bridge mode in the ENH710EXT, you can use the AP Detection feature to scan for Access Points within range. When you find an Access Point, configure the ENH710EXT to use the same SSID and Security Password as the Access Point to associate with it.



## WDS AP Mode

The ENH710EXT also supports WDS AP mode. This operating mode allows wireless connections to the ENH710EXT using WDS technology. In this mode, configure the MAC addresses in both Access Points to enlarge the wireless area by enabling WDS Link settings. WDS supports up to four (4) AP MAC addresses.

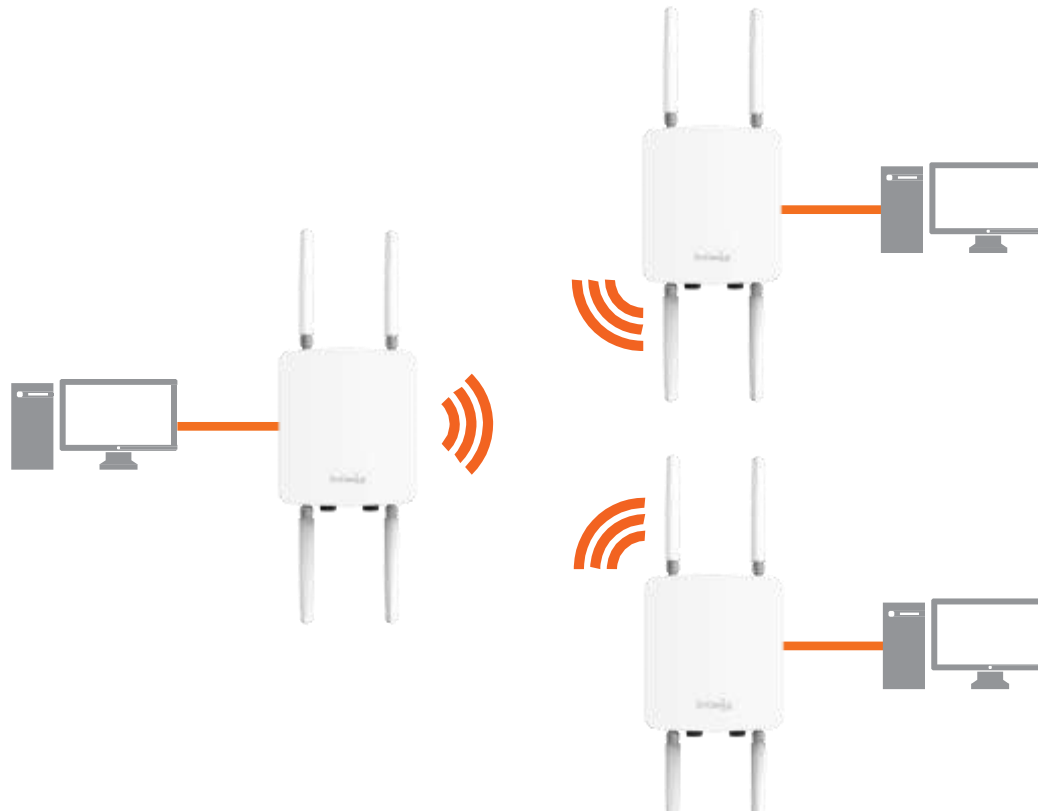


## WDS Bridge Mode

In WDS Bridge Mode, the ENH710EXT can wirelessly connect different LANs by configuring the MAC address and security settings of each ENH710EXT device. Use this mode when two wired LANs located a small distance apart want to communicate with each other. The best solution is to use the ENH710EXT to wirelessly connect two wired LANs, as shown in the following diagram.

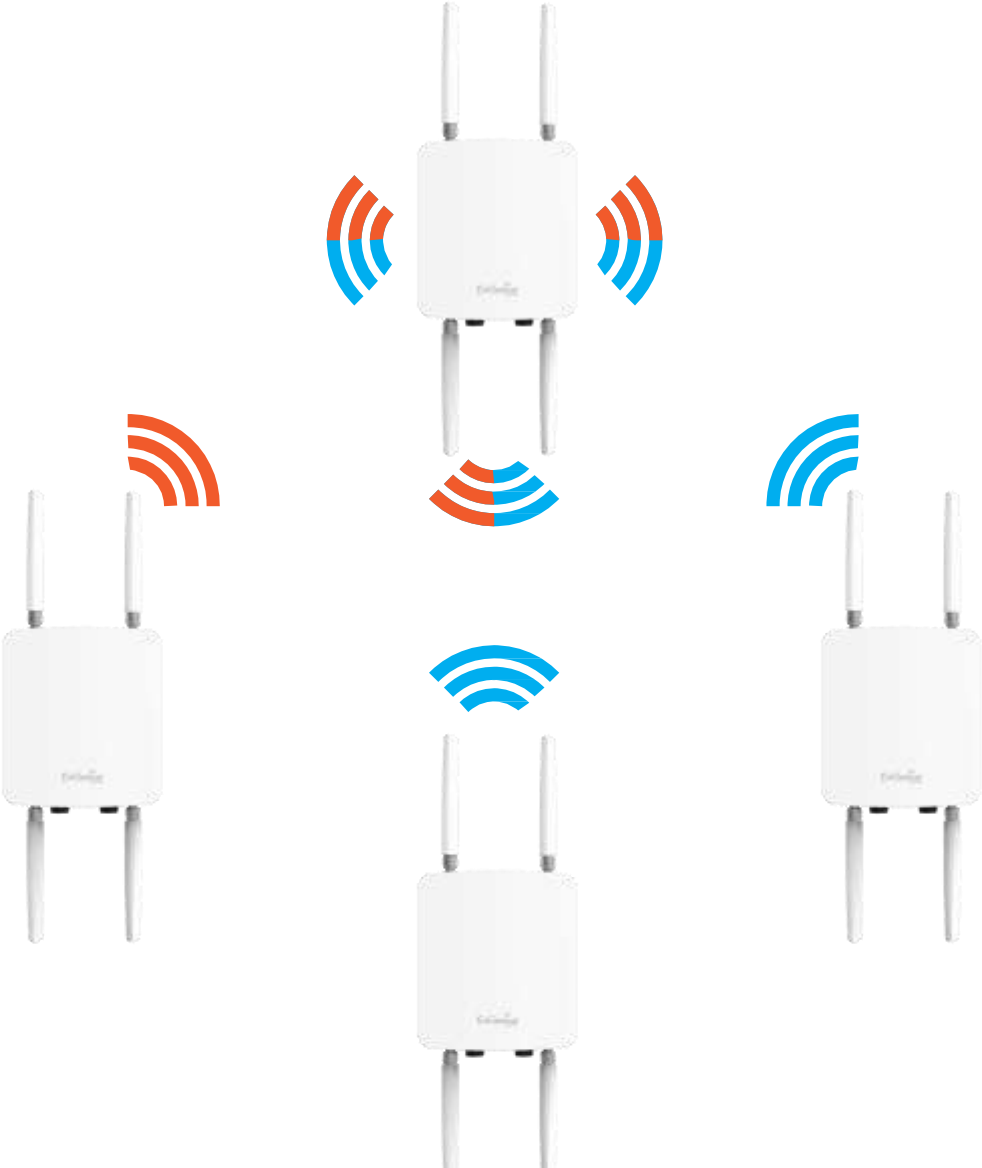
WDS Bridge Mode can establish up to four WDS links, creating a star-like network.

**Note:** WDS Bridge Mode does not act as an Access Point. Access Points linked by WDS are using the same frequency channel. More Access Points connected together may lower throughput. This configuration can be susceptible to generate endless network loops in your network, so it is recommended to enable the Spanning Tree function to prevent this from happening.



# WDS Station Mode

Station mode expands the WDS by receiving a wireless signal/service and sharing it through the Ethernet port.



# Chapter 5

# Status



# Main Status

## Save Changes

This page lets you save and apply the settings shown under **Unsaved changes list**, or cancel the unsaved changes and revert to the previous settings that were in effect.

Changes : 3

Unsaved

Unsaved changes list

```
network.lan.dns=0.0.0.0 0.0.0.0
network.lan.ipaddr=192.168.1.2
network.lan.accept_ra=0
```

Apply Save

Revert

## Device Status

Clicking the **Device Status** link under the **Overview** menu shows the status information about the current operating mode.

- The **Device Information** section shows general system information such as Device Name, MAC Address, Current Time, Firmware Version, and Management VLAN ID

**Note:** VLAN ID information is only applicable in Access Point or WDS AP mode.

Device Information	
Device Name	ENH710EXT
MAC Address	
- LAN	00:02:6F:22:0A:00
- Wireless LAN - 2.4GHz	00:02:6F:22:0A:01
- Wireless LAN - 5GHz	00:02:6F:22:0A:02
Country	Default
Current Local Time	Fri Oct 3 08:01:39 UTC 2014
Firmware Version	2.0.7
Management VLAN ID	Untagged

- The LAN Information section shows the Local Area Network settings such as the LAN IP Address, Subnet mask, and DNS Address.

LAN Information - IPv4	
IP Address	192.168.1.1
Subnet Mask	255.255.255.0
Gateway	192.168.1.1
Primary DNS	0.0.0.0
Secondary DNS	0.0.0.0
DHCP Client	Disable
Spanning Tree Protocol (STP)	Disable

- The Wireless LAN Information 2.4GHz/5GHz section shows wireless information such as Operating Mode, Frequency, and Channel. Since the ENH710EXT supports multiple-SSIDs, information about each SSID, the ESSID, and security settings, are displayed

Note: Profile Settings are only applicable in Access Point and WDS AP modes.

Wireless LAN Information - 2.4GHz					
Operation Mode	AP				
Wireless Mode	802.11 B/G/N				
Channel Bandwidth	20-40 MHz				
Channel	2.437 GHz (Channel 6)				
Distance	1000 M				
Profile	SSID	Security	VID	802.1Q	
#1	EnGenius063C96_1-2.4GHz	None	1	Disable	
#2	EnGenius063C96_2-2.4GHz	None	2	Disable	
#3	EnGenius063C96_3-2.4GHz	None	3	Disable	
#4	EnGenius063C96_4-2.4GHz	None	4	Disable	
#5	EnGenius063C96_5-2.4GHz	None	5	Disable	
#6	EnGenius063C96_6-2.4GHz	None	6	Disable	

- The Statistics section shows Mac information such as

SSID, MAC address, RX and TX.

Statistics				
	SSID	MAC	RX(Packets)	TX(Packets)
Ethernet		00:02:8F:FF:FF:FF	75.57KB(856 PKts.)	455.926KB(399 PKts.)
EnGenius063C96_1-2.4GHz		88:DC:96:06:3C:96	0KB(0 PKts.)	0.792KB(4 PKts.)
EnGenius063C97_1-5GHz		88:DC:96:06:3C:97	0KB(0 PKts.)	0KB(0 PKts.)

Wireless LAN Information - 5GHz					
Operation Mode	AP				
Wireless Mode	802.11 A/N				
Channel Bandwidth	40 MHz				
Channel	5.66 GHz (Channel 132)				
Distance	1000 M				
Profile	SSID	Security	VID	802.1Q	
#1	EnGenius063C97_1-5GHz	None	51	Disable	
#2	EnGenius063C97_2-5GHz	None	52	Disable	
#3	EnGenius063C97_3-5GHz	None	53	Disable	
#4	EnGenius063C97_4-5GHz	None	54	Disable	
#5	EnGenius063C97_5-5GHz	None	55	Disable	
#6	EnGenius063C97_6-5GHz	None	56	Disable	
#7	EnGenius063C97_7-5GHz	None	57	Disable	
#8	EnGenius063C97_8-5GHz	None	58	Disable	



# Connection

## 2.4 GHz/5 GHz Connection List

Click the connection link under the Overview menu displays the connection list of clients associated to the ENH710EXT's 2.4 GHz/5 GHz, along with the MAC addresses and signal strength for each client. Clicking Refresh updates the client list.

**Note:** Only applicable in Access Point and WDS AP modes.

## 2.4 GHz/5 GHz WDS Link List

Click the connection link under the Overview menu. This page displays the current status of the WDS link, including WDS Link ID, MAC Address, Link Status and RSSI.

**Note:** Only applicable in WDS AP and WDS Bridge modes.

Connection List - 2.4GHz						
SSID	MAC Address	TX	RX	RSSI	Block	
SNWL	EC:55:F9:4C:D9:EA	227782Kb	59705Kb	-57dBm	Kick	
SNWL	54:72:4F:66:89:42	323Kb	190Kb	-43dBm	Kick	
SNWL	60:FA:CD:6E:93:0B	2556Kb	1209Kb	-50dBm	Kick	
SNWL	60:36:DD:7F:3A:05	62466Kb	6127Kb	-47dBm	Kick	
SNWL	48:60:BC:5E:8C:DF	1011Kb	191Kb	-52dBm	Kick	
SNWL	E8:2A:EA:05:72:79	78334Kb	8725Kb	-38dBm	Kick	
SNWL	20:A2:E4:23:41:63	255Kb	76Kb	-52dBm	Kick	
EAP900H-2.4GHz	08:ED:B9:E1:FD:CF	159346Kb	19451Kb	-61dBm	Kick	
EAP900H-2.4GHz	C8:6F:1D:1B:F4:BE	3563Kb	582Kb	-61dBm	Kick	
EAP900H-2.4GHz	20:02:AF:C5:6D:85	1731Kb	504Kb	-46dBm	Kick	
EAP900H-2.4GHz	54:26:96:CF:F2:4D	152054Kb	5003Kb	-50dBm	Kick	

Connection List - 5GHz						
SSID	MAC Address	TX	RX	RSSI	Block	
SNWL-5G	7C:7A:91:52:01:9D	216449Kb	47456Kb	-49dBm	Kick	

## ClientBridgeConnectionStatus

Click the connection link under the Overview menu. This page displays the connection status between Access Point, including associated SSID, BSSID, connection status, wireless mode, current channel, security, Tx Data Rate(Mbps), Current noise level and signal strength.

# Chapter 6

# Network



# Basic IP Settings

## IPv4/IPv6 Settings

This page allows you to modify the device's IP settings.

IPv4 Settings	
IP Network Setting	Static IP
IP Address	192.168.1.1
Subnet Mask	255.255.255.0
Gateway	192.168.1.1
Primary DNS	0.0.0.0
Secondary DNS	0.0.0.0

IPv6 Settings	
	<input checked="" type="checkbox"/> Link-local Address
IP Address	
Subnet Prefix Length	
Gateway	
Primary DNS	
Secondary DNS	

**IP Network Settings:** Select whether the device IP address will use a static IP address specified in the IP address field or be obtained automatically when the device connects to a DHCP server.

**IP Address:** The IP address of this device.

**Subnet Mask:** The IP Subnet mask of this device.

**Gateway:** The Default Gateway of this device. Leave it blank if you are unsure of this setting.

**Primary/Secondary DNS:** The primary/secondary DNS address for this device.

**Save:** Click Save to confirm the changes.

## Spanning Tree Protocol (STP) Settings

This page allows you to modify the Spanning Tree settings. Enabling the Spanning Tree protocol will prevent network loops in your LAN network.

Spanning Tree Protocol (STP) Settings		
Status	Disable ▾	
Hello Time	2	seconds (1-10)
Max Age	20	seconds (6-40)
Forward Delay	4	seconds (4-30)
Priority	32768	(0-65535)

**Spanning Tree Status:** Enables or disables the Spanning Tree function.

**Hello Time:** Specifies Bridge Hello Time in seconds. This value determines how often the device sends handshake packets to communicate information about the topology throughout the entire Bridged Local Area Network.

**Max Age:** Specifies Bridge Max Age in seconds. If another bridge in the spanning tree does not send a hello packet for a long period of time, it is assumed to be inactive.

**Forward Delay:** Specifies Bridge Forward Delay in seconds. Forwarding delay time is the time spent in each of the Listening and Learning states before the Forwarding state is entered. This delay is provided so that when a new bridge comes onto a busy network, it analyzes data traffic before participating in the network.

**Priority:** Specifies the Priority Number. A smaller number has a greater priority than a larger number.

**Save:** Click Save to confirm the changes.

# Chapter 7

## 2.4 GHz & 5 GHz Wireless



# Wireless

## Wireless Settings

Wireless Settings	
Device Name	<input type="text" value="ENH710EXT"/>
Country / Region	<input type="text" value="United States"/>
Band Steering	<input type="button" value="Disable"/> <input type="button" value="v"/> <b>NOTE:</b> In order for Band Steering function to work properly, both 2.4GHz and 5GHz SSID and security settings must be the same.

**Device Name:** Enter a name for the device. The name you type appears in SNMP management. This name is not the SSID and is not broadcast to other devices.

**Band Steering:** Enable Band Steering to send 802.11n clients to the 5GHz band, where 802.11b/g clients cannot go, and leave 802.11b/g clients in 2.4GHz to operate at their slower rates. Band Steering works within the Access Point by directing 5 GHz-capable clients to that band.

**Save:** Click Save to confirm the changes.

This page displays the current status of the Wireless settings of the ENH710EXT.

## 2.4 GHz/5 GHz Wireless Network

	2.4GHz	5GHz
Operation Mode	Client Bridge <input checked="" type="checkbox"/> Green	Access Point <input checked="" type="checkbox"/> Green
Wireless Mode	802.11 B/G/N	802.11 A/N
Channel HT Mode	40 MHz	40 MHz
Extension Channel	Upper Channel	Lower Channel
Channel	Auto	Auto
Transmit Power	Auto	Auto
Data Rate	Auto	Auto
RTS / CTS Threshold (1 - 2346)	2346	2346
Client Limits	127 <input type="radio"/> Enable <input checked="" type="radio"/> Disable	127 <input type="radio"/> Enable <input checked="" type="radio"/> Disable
Aggregation	32 Frames <input checked="" type="radio"/> Enable <input type="radio"/> Disable	32 Frames <input checked="" type="radio"/> Enable <input type="radio"/> Disable
AP Detection	50000 Bytes(Max) <input type="button" value="Scan"/>	50000 Bytes(Max) <input type="button" value="Scan"/>
Distance (1-30km)	1 (0.6miles)	1 (0.6miles)

**Operation Mode:** Select Operation Mode. The ENH220EXT supports multi-operation modes: Access Point, Client Bridge, or WDS(WDS AP, WDS Bridge, and WDS Station).

**Wireless Mode:** Supports 802.11b/g/n mixed mode in 2.4 GHz and 802.11a/n mixed mode in 5 GHz.

**Channel HT Mode:** The default channel bandwidth is 20 MHz/ 40 MHz. The larger the channel, the greater the transmission quality and speed.

**Extension Channel:** Select the upper or lower channel. Your selection may affect the Auto channel function.

**Channel:** Select the appropriate channel and frequency. Select Auto to enable auto-channel selection.

**Transmit Power:** Sets the power output of the wireless signal.

**Data Rate:** Select a data rate from the drop-down list. The data rate affects throughput of data in the ENH710EXT. Select the best balance for you and your network but note that the lower the data rate, the lower the throughput, though transmission distance is also lowered.

**RTS/CTS Threshold:** Specifies the threshold package size for RTC/CTS. A small number causes RTS/CTS packets to be sent more often and consumes more bandwidth.

**Client Limits:** Limits the total number of clients.

**Aggregation:** Merges data packets into one packet. This option reduces the number of packets, but also increases packet sizes.

**AP Detection:** AP Detection can select the best channel to use by scanning nearby areas for Access Points.



**Distance:** Specifies the distance between Access Points and clients. Note that longer distances may drop higher-speed connections.

**Save:** Click **Save** to confirm the changes or **Cancel** to cancel and return to previous settings.

## 2.4 GHz/5 GHz SSID Profile

No.	Enable	SSID	Edit	Security	Suppressed SSID	Station Separation	Isolation	VID
1	<input checked="" type="checkbox"/>	EnGenius063C96_1-2.4GHz	Edit	None	<input type="checkbox"/>	<input type="checkbox"/>	<input type="checkbox"/>	1
2	<input type="checkbox"/>	EnGenius063C96_2-2.4GHz	Edit	None	<input type="checkbox"/>	<input type="checkbox"/>	<input type="checkbox"/>	2
3	<input type="checkbox"/>	EnGenius063C96_3-2.4GHz	Edit	None	<input type="checkbox"/>	<input type="checkbox"/>	<input type="checkbox"/>	3
4	<input type="checkbox"/>	EnGenius063C96_4-2.4GHz	Edit	None	<input type="checkbox"/>	<input type="checkbox"/>	<input type="checkbox"/>	4
5	<input type="checkbox"/>	EnGenius063C96_5-2.4GHz	Edit	None	<input type="checkbox"/>	<input type="checkbox"/>	<input type="checkbox"/>	5
6	<input type="checkbox"/>	EnGenius063C96_6-2.4GHz	Edit	None	<input type="checkbox"/>	<input type="checkbox"/>	<input type="checkbox"/>	6
7	<input type="checkbox"/>	EnGenius063C96_7-2.4GHz	Edit	None	<input type="checkbox"/>	<input type="checkbox"/>	<input type="checkbox"/>	7
8	<input type="checkbox"/>	EnGenius063C96_8-2.4GHz	Edit	None	<input type="checkbox"/>	<input type="checkbox"/>	<input type="checkbox"/>	8

No.	Enable	SSID	Edit	Security	Suppressed SSID	Station Separation	Isolation	VID
1	<input checked="" type="checkbox"/>	EnGenius063C97_1-5GHz	Edit	None	<input type="checkbox"/>	<input type="checkbox"/>	<input type="checkbox"/>	51
2	<input type="checkbox"/>	EnGenius063C97_2-5GHz	Edit	None	<input type="checkbox"/>	<input type="checkbox"/>	<input type="checkbox"/>	52
3	<input type="checkbox"/>	EnGenius063C97_3-5GHz	Edit	None	<input type="checkbox"/>	<input type="checkbox"/>	<input type="checkbox"/>	53
4	<input type="checkbox"/>	EnGenius063C97_4-5GHz	Edit	None	<input type="checkbox"/>	<input type="checkbox"/>	<input type="checkbox"/>	54
5	<input type="checkbox"/>	EnGenius063C97_5-5GHz	Edit	None	<input type="checkbox"/>	<input type="checkbox"/>	<input type="checkbox"/>	55
6	<input type="checkbox"/>	EnGenius063C97_6-5GHz	Edit	None	<input type="checkbox"/>	<input type="checkbox"/>	<input type="checkbox"/>	56
7	<input type="checkbox"/>	EnGenius063C97_7-5GHz	Edit	None	<input type="checkbox"/>	<input type="checkbox"/>	<input type="checkbox"/>	57
8	<input type="checkbox"/>	EnGenius063C97_8-5GHz	Edit	None	<input type="checkbox"/>	<input type="checkbox"/>	<input type="checkbox"/>	58

**Current Profile:** You can configure up to sixteen (16) different SSIDs (eight (8) per band). If multiple client devices will be accessing the network, you can arrange the devices into SSID groups. Click Edit to configure the profile and check whether you want to enable extra SSID.

**SSID:** Specifies the SSID for the current profile.

**Suppressed SSID:** Check this option to hide the SSID from clients. If checked, the SSID will not appear in the site survey.

**Station Separation:** Click the appropriate radio button to allow or prevent communication between client devices.

**VID:** Specifies the VLAN tag for each profile. If your network includes VLANs, you can specify a VLAN ID for packets pass through the Access Point with a tag.

**Wireless Security:** See the Wireless Security section.

**Isolation:** Restrict clients communicating with different VIDs by selecting the radio button.

**Save:** Click Save to accept the changes.

## Wireless Security

The Wireless Security section lets you configure the ENH710EXT's security modes: WEP, WPA-PSK, WPA2-PSK, WPA-PSK Mixed, WPA, WPA2, and WPA Mixed. It is strongly recommend that you use WPA2-PSK.

Wireless Security - 2.4G	
Security Mode	WEP
Auth Type	Open System
Input Type	Hex
Key Length	40/64-bit (10 hex digits or 5 ASCII char)
Default Key	1
Key1	
Key2	
Key3	
Key4	

Auth Type: Select Open System or SharedKey.

Input Type:

ASCII: Regular Text (recommended)

Hexadecimal Numbers (For advanced users)

Key Length: Select the desired option and ensure that wireless clients use the same setting. Your choices are 64, 128, and 152-bit password lengths.

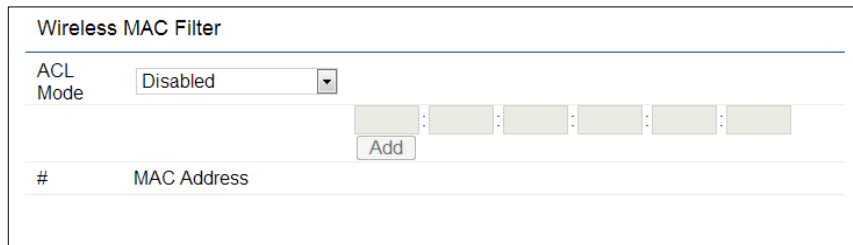
Default Key: Select the Key you wish to be the default. Transmitted data is **ALWAYS** encrypted using the Default Key; the other Keys are for decryption only. You must enter a Key Value for the Default Key.

EncryptionKeyNumber: Enter the Key Value or values you wish to use. Only the Key selected as Default is required. The others are optional.

## Wireless MAC Filtering

Wireless MAC Filtering is used to allow or deny network access to wireless clients (computers, tablet PCs, NAS, smartphones, etc.) according to their MAC addresses. You can manually add a MAC address to restrict permission to access the ENH710EXT. The default setting is: **Disable Wireless MAC Filter**.

**Note:** Only applicable in Access Point and WDS AP modes.



Wireless MAC Filter

ACL Mode: Disabled

MAC Address Input: [ ] : [ ] : [ ] : [ ] : [ ] : [ ]

Add

#	MAC Address
---	-------------

**ACL Mode:** Determines whether network access is granted or denied to clients whose MAC addresses appear in the MAC address table on this page. Your choices are: Disabled, Deny MAC in the list, or Allow MAC in the list.

**MAC Address:** Enter the MAC address of the wireless client.

**Add:** Click Add to add the MAC address to the MAC address table.

**Delete:** Delete the selected entries.

**Save:** Click Save to apply the changes.

# Wireless Advanced

## Wireless Traffic Shaping

Traffic shaping regulates the flow of packets leaving an interface to deliver improved Quality of Service.

Wireless Traffic Shaping	
Enable Traffic Shaping	Disable ▾
Download Limit	100 Mbps (1-999)
Upload Limit	100 Mbps (1-999)

**Enable Traffic Shaping:** Check this option to enable Wireless Traffic Shaping.

**Download Limit:** Specifies the wireless transmission speed used for downloading.

**Upload Limit:** Specifies the wireless transmission speed used for uploading.

**Save:** Click Save to confirm the changes.

## WPA-PSK (WPA Pre-Shared Key) Encryption:

Wireless Security - 2.4G	
Security Mode	WPA2-PSK ▾
Encryption	Both(TKIP+AES) ▾
Passphrase	
Group Key Update Interval	3600

**Encryption:** Select the WPA encryption type you would like. Please ensure that your wireless clients use the same settings.

**Passphrase:** Wireless clients must use the same Key to associate the device. If using ASCII format, the Key must be from 8 to 63 characters in length. If using HEX format, the Key must be 64 HEX characters in length.

**Group Key Update Interval:** Specifies how often, in seconds, the Group Key changes.

## WPA Mixed-Enterprise: Access Point / WDS AP mode

Wireless Security - 2.4G	
Security Mode	WPA Mixed-Enterprise ▾
Encryption	Both(TKIP+AES) ▾
Group Key Update Interval	3600
Radius Server	
Radius Port	1812
Radius Secret	
Radius Accounting	Disable ▾
Radius Accounting Server	
Radius Accounting Port	1813
Radius Accounting Secret	
Interim Accounting Interval	600

Fast Roaming	
Enable Fast Roaming	Enable ▾
Advanced Search	Enable ▾

**Encryption:** Select the WPA encryption type you would like. Please ensure that your wireless clients use the same settings.

**Radius Server:** Enter the IP address of the Radius server.

**Radius Port:** Enter the port number used for connections to the Radius server.

**Radius Secret:** Enter the secret required to connect to the Radius server.

**Group Key Update Interval:** Specifies how often, in seconds, the Group Key changes.

**Radius Accounting:** Enable or disable accounting feature.

**Radius Accounting Server:** Enter the IP address of the Radius accounting server.

**Radius Accounting Port:** Enter the port number used for connections to the Radius accounting server.

**Radius Accounting Secret:** Enter the secret required to connect to the Radius accounting server.

**Interim Accounting Interval:** Specifies how often, in seconds, the accounting data sends.

**Note:** 802.11n does not allow WEP/WPA-PSK TKIP/WPA2-PSK TKIP security mode. The connection mode will automatically change from 802.11n to 802.11g.

**Fast Roaming:** Enable Fast Roaming to serve mobile client devices that roam from Access Point to Access Point. Some applications running on Client devices require fast re-association when they roam to a different Access Point. Voice application.

## WDSLinkSettings

Using the WDS (Wireless Distribution System) feature will allow a network administrator or installer to connect to Access Points wirelessly. Doing so will extend the wired infrastructure to locations where cabling is not possible or inefficient to implement.

**Note:** Compatibility between different brands and models of Access Points is not guaranteed. It is recommended that the WDS network be created using the same models for maximum compatibility.

**Also note:** All Access Points in the WDS network need to use the same Channel and Security settings.

To create a WDS network, please enter the MAC addresses of the Access Points that you want included in the WDS. There can be a maximum of four Access Points.

**Note:** Only applicable in WDS AP and WDS Bridge modes.

## 2.4 GHz/5 GHz WDS Link Settings

WDS Link Settings - 2.4GHz

Security: None

AES Passphrase: (8-63 ASCII characters or 64 hexadecimal digits)

ID	MAC Address	Mode
1		Disable
2		Disable
3		Disable
4		Disable

WDS Link Settings - 5GHz

Security: None

AES Passphrase: (8-63 ASCII characters or 64 hexadecimal digits)

ID	MAC Address	Mode
1		Disable
2		Disable
3		Disable
4		Disable

**Security:** Select None or AES from the drop-down list.

**AES Passphrase:** Enter the Key Values you wish to use. Other Access Points must use the same Key to establish a WDS link.

**MAC Address:** Enter the Access Point's MAC address to where you want to extend the wireless area.

**Mode:** Select to disable or enable from the drop-down list.

**Save:** Click Save to confirm the changes.

## Client Bridge Setting



Wireless Settings- 2.4GHz

No.	SSID	Edit	Security
AP SSID	AP SSID	[Edit]	None

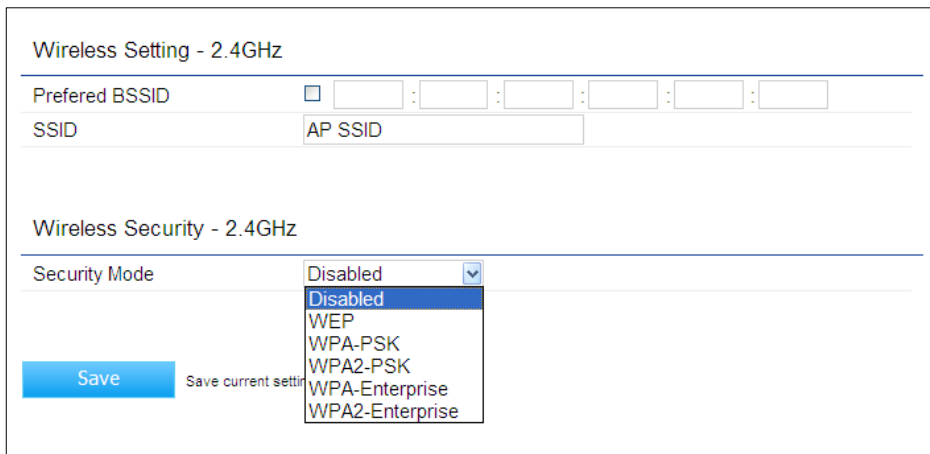
**No.:** Display the setting value

**SSID:** You can implement the AP detection to select the proper SSID.

**Edit:** Click it to implement the advanced settings

**Security Mode:** Select the correct security mode and insert the correct encryption type. Please refer the wireless security section in page 42.

**Save:** Click Save to accept the changes



Wireless Setting - 2.4GHz

Preferred BSSID  [ ] : [ ] : [ ] : [ ] : [ ] : [ ]

SSID AP SSID

---

Wireless Security - 2.4GHz

Security Mode Disabled

- Disabled
- WEP
- WPA-PSK
- WPA2-PSK
- WPA-Enterprise
- WPA2-Enterprise

Save Save current settings

**Prefer BSSID:** You can insert the prefer BSSID or enter the specific SSID to be associated with the Access Point.

**SSID:** You can implement the AP detection to select the proper SSID.



## Guest Network Settings

Adding a guest network allows visitors to use the Internet without giving out your office or company wireless security key. You can add a guest network to each wireless network in the 2.4 GHz b/g/n and 5 GHz a/n frequencies.

Enable	SSID	Edit	Security	Suppressed SSID	Station Separation
<input type="checkbox"/>	EnGenius-2.4GHz_GuestNet	Edit	None	<input type="checkbox"/>	<input checked="" type="checkbox"/>
<input type="checkbox"/>	EnGenius-5GHz_GuestNet	Edit	None	<input type="checkbox"/>	<input checked="" type="checkbox"/>

Manual IP Settings

- IP Address	192.168.200.1
- Subnet Mask	255.255.255.0

Automatic DHCP Server Settings

- Starting IP Address	192.168.200.100
- Ending IP Address	192.168.200.200
- WINS Server IP	0.0.0.0

**SSID:** Specifies the SSID for the current profile.

**Suppressed SSID:** Check this option to hide the SSID from clients. If checked, the SSID will not appear in the site survey.

**Station Separation:** Click the appropriate radio button to allow or prevent communication between client devices.

**IP Address:** The IP Address of this device.

**Subnet Mask:** The IP Subnet mask of this device.

**Starting IP Address:** The first IP Address in the range of the addresses by the DHCP server.

**Ending IP Address:** The last IP Address in the range of addresses assigned by the DHCP server.

## Fast Handover

Status	<input type="radio"/> Enable <input checked="" type="radio"/> Disable
RSSI	-70 dBm (Range: -60dBm ~ -100dBm)

**Fast Handover:** Enable the Fast Handover feature by ensuring that each client is served by at least one Access Point at any time. Access Points continuously monitor the connectivity quality of any client in their range and efficiently share this information with other Access Points in the vicinity of that client to coordinate which of them should serve the client best.

**RSSI:** Enter the RSSI (Received Signal Strength Index) in order to determine the handover procedure which the current wireless link will terminate. RSSI is an indication of the power level being received by the antenna. Therefore, the higher the RSSI number, the stronger the signal.

# Chapter 8

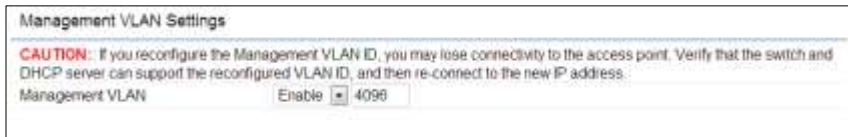
# Management



## Management VLAN Settings

This page allows you to assign a VLAN tag to packets sent over the network. A VLAN is a group of computers on a network whose software has been configured so that they behave as if they were on a separate Local Area Network (LAN). Computers on VLAN do not have to be physically located next to one another on the LAN.

**Note:** Only applicable in Access Point and WDS AP modes.



The screenshot shows a configuration window titled "Management VLAN Settings". It contains a red "CAUTION" message: "If you reconfigure the Management VLAN ID, you may lose connectivity to the access point. Verify that the switch and DHCP server can support the reconfigured VLAN ID, and then re-connect to the new IP address." Below the message, there is a label "Management VLAN" followed by a radio button set with "Enable" selected and a text input field containing the value "4096".

**Management VLAN:** If your network includes VLANs, you can enable **Management VLAN ID** for packets passing through the Access Point with a tag.

**Save:** Click **Save** to confirm the changes or **Cancel** to cancel and return to previous settings.

**Note:** If you reconfigure the **Management VLAN ID**, you may lose your connection to the ENH710EXT. Verify that the DHCP server supports the reconfigured VLAN ID and then reconnect to the ENH710EXT using the new IP address.

# Advanced Settings

## SNMP Settings

This page allows you to assign the Contact Details, Location, Community Name, and Trap Settings for a Simple Network Management Protocol (SNMP). SNMP is a networking management protocol used to monitor network attached devices. SNMP allows messages (called protocol data units) to be sent to various parts of the network. Upon receiving these messages, SNMP compatible devices (called agents) returns the data stored in their Management Information Bases.

SNMP Settings	
Status	Enabled
Contact	
Location	
Port	161
Community Name (Read Only)	public
Community Name (Read Write)	private
Trap Destination	
- Port	162
- IP Address	
- Community Name	public
SNMPv3 Settings	
- Status	Enabled
- Username	admin (1-31 Characters)
- Authorized Protocol	MD5
- Authorized Key	12345678 (8-32 Characters)
- Private Protocol	DES
- Private Key	12345678 (8-32 Characters)
- Engine ID	

**SNMP Enable/Disable:** Enables or disables the SNMP feature.

**Contact:** Specifies the contact details of the device.

**Location:** Specifies the location of the device.

**Community Name (Read Only):** Specifies the password for the SNMP community for read only access.

**Community Name (Read/Write):** Specifies the password for the SNMP community with read/write access.

**Trap Destination Address:** Specifies the IP address of the computer that will receive the SNMP traps.

**Trap Destination Community Name:** Specifies the password for the SNMP trap community.

**SNMPv3:** Enables or disables the SNMPv3 feature.

**User Name:** Specifies the username for SNMPv3.

**Auth Protocol:** Selects the authentication protocol type: MDS or SHA.

**Auth Key:** Specifies the authentication key.

**Priv Protocol:** Selects the privacy protocol type: DES.

**Priv Key:** Specifies the privacy key for privacy.

**Engine ID:** Specifies the engine ID for SNMPv3.

**Apply Save:** Click Apply Save to apply the changes.

## CLI Settings



The screenshot shows a configuration page titled "CLI Setting". It contains three sections: "CLI Setting" with a dropdown menu set to "Enable"; "SSH Setting" with a dropdown menu set to "Disable"; and "HTTPS Setting" with two dropdown menus, "HTTPS" set to "Enable" and "HTTPS forward" set to "Disable".

**CLI:** The Command Line Interface (CLI) allows you to type commands instead of choosing them from a menu or selecting an icon.

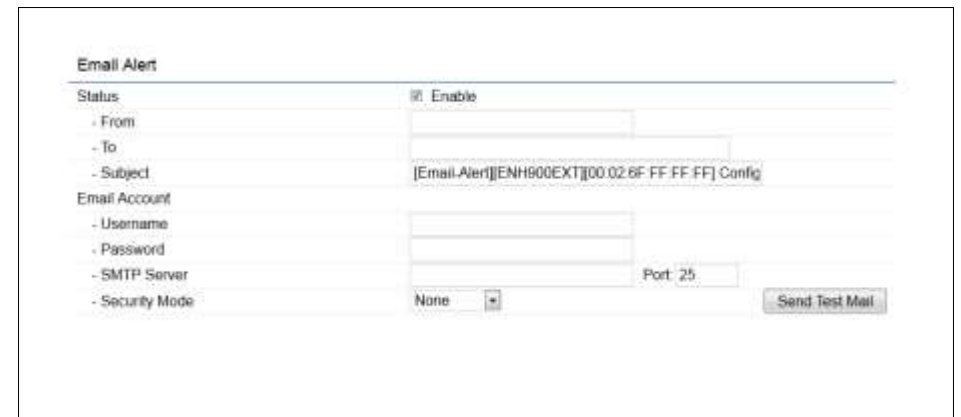
**SSH:** Enable Secure Shell (SSH) to make secure, encrypted connections in the network. Secure Shell is a network protocol that allows data to be exchanged using a secure channel between two network devices.

**HTTPS:** Enable HTTPS to transfer and display web content securely. The Hypertext Transfer Protocol over SSL (Secure Socket Layer) is a TCP/IP protocol used by web servers to transfer and display web content securely.

## Email Alert

You can use the Email Alert feature to send messages to the configured email address when particular system events occur.

**Note:** Do NOT use your personal email address as it can unnecessarily expose your personal email login credentials. Use a separate email account made for this feature instead



The screenshot shows an "Email Alert" configuration page. It includes a "Status" section with a radio button for "Enable" selected. Below are fields for "From", "To", and "Subject". The "Subject" field contains the text "[Email-Alert][ENH900EXT][00.02.6F FF FF FF] Config". Under the "Email Account" section, there are fields for "Username", "Password", "SMTP Server", and "Security Mode". The "SMTP Server" field has "Port: 25" next to it. The "Security Mode" dropdown is set to "None". A "Send Test Mail" button is located at the bottom right.

**From:** Enter the email address to show the sender of the email.

**To:** Enter the address that you wish to send emails to.

**Subject:** Enter the text that you wish to appear in the email's subject line.

**Username:** Enter the username for the email account that will be used to send emails.

**Password:** Enter the password for the email account that will be used to send emails.

**SMTP Server:** Enter the IP address or hostname of the outgoing SMTP server.

**Port:** Enter the SMTP port number to use for outbound emails.

# Time Zone

## Time Setting

This page allows you to set the internal clock of the ENH710EXT.

**Date and Time Settings**

Manually Set Date and Time

Date: 2013 / 09 / 25

Time: 08 : 10 (24-Hour)

Automatically Get Date and Time

NTP Server: 209.81.9.7

---

**Time Zone**

Time Zone: UTC+00:00 Gambia, Liberia, Morocco

Enable Daylight Saving

Start: January 1st 12 am

End: January 1st 12 am

**Start:** Select the day, month, and time when daylight savings time starts.

**End:** Select the day, month, and time when daylight savings times ends.

**Manually Set Date and Time:** Manually specify the date and time.

**Automatically Get Date and Time:** Select and check whether you wish to enter the IP address of an NTP server or use the default NTP server to have the internal clock set automatically.

**Enable Daylight Saving:** Check whether daylight savings applies to your area.

# Auto Reboot Settings

You can specify how often you wish to reboot the ENH710EXT.

Auto Reboot Setting	
Auto Reboot Status	<input type="text" value="Disable"/>
Timer	<input type="checkbox"/> Sunday <input type="checkbox"/> Monday <input type="checkbox"/> Tuesday <input type="checkbox"/> Wednesday <input type="checkbox"/> Thursday <input type="checkbox"/> Friday <input type="checkbox"/> Saturday
	<input type="text" value="0"/> : <input type="text" value="0"/>

**Auto Reboot Setting:** Enables or disables the Auto Reboot function.

**Frequency of Auto Reboot:** Specifies how often you wish to reboot the ENH710EXT by Min, Hour, Day or Week.

**Timer:** Select the day and enter the time you would like to reboot automatically.

**Save:** Click Save to apply the changes.



# Wi-Fi Scheduler

The Wi-Fi Scheduler can be created for use in enforcing rules. For example, if you wish to restrict web access to Mon-Fri from 3pm to 8pm, you could create a schedule selecting Mon, Tue, Wed, Thu and Fri while entering a Start time of 3pm and End Time of 8pm to limit access to these times.

Wi-Fi Scheduler

Status  Enable  **NOTE:** Please assure that the Time Zone Settings is synced with your local time when enabling the Wi-Fi Scheduler.

Wireless Radio

SSID Selection

Schedule Templates

Day	Availability	Duration
Sunday	<input type="text" value="available"/>	00 : 00 ~ 24 : 00
Monday	<input type="text" value="available"/>	00 : 00 ~ 24 : 00
Tuesday	<input type="text" value="available"/>	00 : 00 ~ 24 : 00
Wednesday	<input type="text" value="available"/>	00 : 00 ~ 24 : 00
Thursday	<input type="text" value="available"/>	00 : 00 ~ 24 : 00
Friday	<input type="text" value="available"/>	00 : 00 ~ 24 : 00
Saturday	<input type="text" value="available"/>	00 : 00 ~ 24 : 00

drop-down list.

**Day(s):** Place a checkmark in the boxes for the desired days or select the **All Week** radio button to select all seven days of the week.

**Duration:** The Start Time is entered in two fields. The first box is for hours and the second box is for minutes. The End Time is entered in the same format as the Start time.

**Status:** Enables or disables the Wi-Fi scheduler function.

**Wireless Radio:** Select 2.4 GHz or 5 GHz from the drop-down list for the preferred band type.

**SSID Selection:** Select a SSID from the drop-down list.

**Schedule Templates:** Select a schedule template from the

# Tools

## Ping Test Parameters

This page allows you to analyze the connection quality of the ENH710EXT and trace the routing table to a target in the network.

Ping Test Parameters		
Target IP / Domain Name	<input type="text"/>	
Ping Packet Size	<input type="text" value="64"/>	Bytes
Number of Pings	<input type="text" value="4"/>	
<input type="button" value="Start"/>		

Traceroute Test Parameters		
Target IP / Domain Name	<input type="text"/>	
<input type="button" value="Start"/> <input type="button" value="Stop"/>		

**Target IP:** Enter the IP address you would like to search.

**Ping Packet Size:** Enter the packet size of each ping.

**Number of Pings:** Enter the number of times you wish to ping.

**Start Ping:** Click Start Ping to begin pinging the target device (via IP).

**Traceroute Target:** Enter the IP address or domain name you wish to trace.

**Start Traceroute:** Click Start Traceroute to begin the trace route operation.

## Speed Test Parameters / LED Control

This page allows you to control LED on/off for Power, LAN interface, or 2.4 GHz/5 GHz WLAN interface.

Speed Test Parameters		
Target IP / Domain Name	<input type="text"/>	
Time Period	<input type="text" value="20"/>	sec
Check Interval	<input type="text" value="5"/>	sec
<input type="button" value="Start"/>		
<div style="border: 1px solid gray; height: 100px; width: 100%;"></div>		
IPv4 Port	<input type="text" value="5001"/>	
IPv6 Port	<input type="text" value="5002"/>	

## LED Control

LED Control	
Power	<input type="button" value="Enable"/>
LAN	<input type="button" value="Enable"/>
WLAN-2.4GHz	<input type="button" value="Enable"/>
WLAN-5GHz	<input type="button" value="Enable"/>
<input type="button" value="Apply"/> Apply saved settings to take effect	

**Power:** Enables or disables the Power LED indicator.

**LAN:** Enables or disables the LAN LED indicator.

**WLAN-2.4 GHz:** Enables or disables the WLAN-2.4 GHz LED

indicator.

**WLAN-5 GHz:** Enables or disables the WLAN-5 GHz LED indicator.

## Device Discovery

This page allows you to discover devices from network for Operation Mode, IP Address, System MAC Address and Firmware version.

Device Discovery				
Device Name	Operation Mode	IP Address	System MAC Address	Firmware Version
<input type="button" value="Scan"/>				

# Account

This page allows you to change the ENH710EXT username and password. By default, the username is: admin and the password is: admin. The password can contain from 0 to 12 alphanumeric characters and is case sensitive.

## Account Settings

Account Settings	
Administrator Username	admin
Current Password	•••••
New Password	
Verify Password	

**Administrator Username:** Enter a new username for logging in to the New Name entry box.

**Current Password:** Enter the old password for logging in to the Old Password entry box.

**New Password:** Enter the new password for logging in to the New Password entry box.

**Verify Password:** Re-enter the new password in the Confirm Password entry box for confirmation.

**Apply:** Click Apply to apply the changes.

# Firmware

## Firmware Upgrade

This page allows you to upgrade the firmware of the ENH710EXT.



To Perform the Firmware Upgrade:

1. Click the Choose File button and navigate the OS file system to the location of the upgrade file.
2. Select the upgrade file. The name of the file will appear in the Upgrade File field.
3. Click the Upload button to commence the firmware upgrade.

**Note:** The device is unavailable during the Firmware upgrade process and must restart when the upgrade is completed. Any connections to or through the device will be lost.

# Backup/Restore

Backup/Restore Settings	
Factory Setting	
- Backup Setting	<input type="button" value="Export"/>
- Restore New Setting	<input type="button" value="Browse..."/> No file selected. <input type="button" value="Import"/>
- Reset to Default	<input type="button" value="Reset"/>
User Setting	
- Back Up Setting as Default	<input type="button" value="Backup"/>
- Restore to User Default	<input type="button" value="Restore"/>

## Factory Setting

The function allows you to export the current device configurations. When you export your configurations, you also can reload the saved configurations into the device through the Restore Saved Settings from a file section. If extreme problems occur, or if you have set the ENH710EXT incorrectly, you can use the Reset button in the Revert to Factory Default Settings section to restore all the configurations of the ENH710EXT to the original default settings.

**Backup Setting:** Click Export to save the current configured settings.

**Restore New Setting:** To restore settings that have been previously backed up, click Browse, select the file, and click Restore.

**Restore to Default:** Click Reset button to restore the ENH710EXT to its factory default settings.

## User Setting

The function allows you to backup the current device configurations into the ENH710EXT as the default value. If extreme problems occur, or if you have set the ENH710EXT incorrectly, you can push the Reset button to revert all the configurations of the ENH710EXT to the user default.

**Back Up Setting as Default:** Click Backup to backup the user settings you would like to the device's memory for the default settings.

**Restore to User Default:** Click Restore to restore user settings to the factory standard settings.

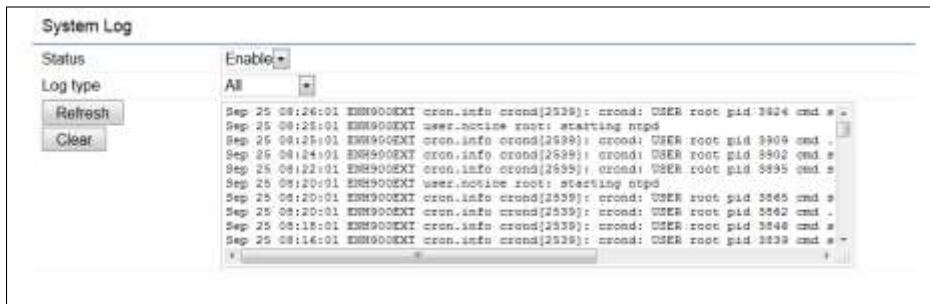
**Note1:** After setting the current settings as the default, you should click the Restore to Default on the web interface for reverting the settings into the factory default instead of pushing the reset button.

**Note2:** Please write down your account and password before saving. The user settings will now become the new default settings at the next successful login.

# Log

## System Log

The ENH710EXT automatically logs (records) events of possible interest in its internal memory. To view the logged information, click the Log link under the System Manager menu. If there is not enough internal memory to log all events, older events are deleted from the log. When powered down or rebooted, the log will be cleared.



## Remote Log

This page allows you to setup the Remote Log functions for the ENH710EXT.



**Syslog:** Enables or disables the syslog function.

**Log Server IP Address:** Enter the IP address of the log server.

**Remote Log:** Enable or disable the remote log service.

**Apply:** Click Apply to apply the changes.

## Logout

Click Logout in Management menu to logout.

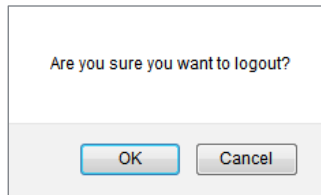


The screenshot shows the EnGenius web interface for device ENH710EXT. The top navigation bar includes 'Changes: 0', 'Reset', and 'Logout' buttons. The 'Logout' button is highlighted with a blue box. The left sidebar contains a menu with 'System Manager' selected. The main content area displays 'Device Information' and 'LAN Information - IPv4'.

Device Information	
Device Name	ENH710EXT
MAC Address	
- LAN	88 DC 98 06 3C 94
- Wireless LAN - 2.4GHz	88 DC 98 06 3C 96
- Wireless LAN - 5GHz	88 DC 98 06 3C 97
Country	Default
Current Local Time	Wed Sep 25 08:30:55 UTC 2013
Firmware Version	2.0.0
Management VLAN ID	4096

LAN Information - IPv4	
IP Address	192.168.1.1
Subnet Mask	255.255.255.0
Gateway	192.168.1.1
Primary DNS	0.0.0.0
Secondary DNS	0.0.0.0




Are you sure you want to logout?

OK Cancel

## Reset

In some circumstances, it may be required to force the device to reboot. Click on Reset to reboot the ENH710EXT.

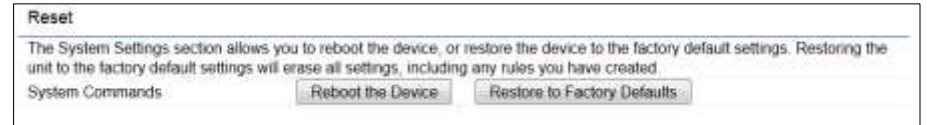


The screenshot shows the EnGenius web interface for device ENH710EXT. The top navigation bar includes 'Changes: 0', 'Reset', and 'Logout' buttons. The 'Reset' button is highlighted with a blue box. The left sidebar contains a menu with 'Management' selected. The main content area displays 'Device Information' and 'LAN Information - IPv4'.

Device Information	
Device Name	ENH710EXT
MAC Address	
- LAN	88 DC 98 06 3C 94
- Wireless LAN - 2.4GHz	88 DC 98 06 3C 96
- Wireless LAN - 5GHz	88 DC 98 06 3C 97
Country	Default
Current Local Time	Wed Sep 25 08:30:55 UTC 2013
Firmware Version	2.0.0
Management VLAN ID	4096

LAN Information - IPv4	
IP Address	192.168.1.1
Subnet Mask	255.255.255.0
Gateway	192.168.1.1
Primary DNS	0.0.0.0
Secondary DNS	0.0.0.0



**Reset**

The System Settings section allows you to reboot the device, or restore the device to the factory default settings. Restoring the unit to the factory default settings will erase all settings, including any rules you have created.

System Commands

Reboot the Device Restore to Factory Defaults



# Appendix



# Appendix A

## Federal Communication Commission Interference Statement

This equipment has been tested and found to comply with the limits for a Class B digital device, pursuant to Part 15 of the FCC Rules. These limits are designed to provide reasonable protection against harmful interference in a residential installation. This equipment generates, uses and can radiate radio frequency energy and, if not installed and used in accordance with the instructions, may cause harmful interference to radio communications. However, there is no guarantee that interference will not occur in a particular installation. If this equipment does cause harmful interference to radio or television reception, which can be determined by turning the equipment off and on, the user is encouraged to try to correct the interference by one of the following measures:

- Reorient or relocate the receiving antenna.
- Increase the separation between the equipment and receiver.
- Connect the equipment into an outlet on a circuit different from that to which the receiver is connected.
- Consult the dealer or an experienced radio/TV technician for help



### FCC Caution:

Any changes or modifications not expressly approved by the party responsible for compliance could void the user's authority to operate this equipment.

This device complies with Part 15 of the FCC Rules. Operation is subject to the following two conditions: (1) This device may not cause harmful interference, and (2) this device must accept any interference received, including interference that may cause undesired operation.

**This transmitter must not be co-located or operating in conjunction with any other antenna or transmitter.**

### IMPORTANT NOTE:

## Radiation Exposure Statement

This equipment complies with FCC radiation exposure limits set forth for an uncontrolled environment. This equipment should be installed and operated with minimum distance 20 cm between the radiator & your body.

# Appendix B - CE Interference Statement

## Europe – EU Declaration of Conformity

This device complies with the essential requirements of the R&TTE Directive 1999/5/EC. The following test methods have been applied in order to prove presumption of conformity with the essential requirements of the R&TTE Directive 1999/5/EC:

- **EN60950-1**  
Safety of Information Technology Equipment
- **EN50385**  
Generic standard to demonstrate the compliance of electronic and electrical apparatus with the basic restrictions related to human exposure to electromagnetic fields (0 Hz - 300 GHz)
- **EN 300 328**  
Electromagnetic compatibility and Radio spectrum Matters (ERM); Wideband Transmission systems; Data transmission equipment operating in the 2,4 GHz ISM band and using spread spectrum modulation techniques; Harmonized EN covering essential requirements under article 3.2 of the R&TTE Directive
- **EN 301 893**  
Broadband Radio Access Networks (BRAN); 5 GHz high performance RLAN; Harmonized EN covering essential requirements of article 3.2 of the R&TTE Directive
- **EN 301 489-1**  
Electromagnetic compatibility and Radio Spectrum Matters (ERM); ElectroMagnetic Compatibility (EMC) standard for radio equipment and services; Part 1: Common technical requirements
- **EN 301 489-17**  
Electromagnetic compatibility and Radio spectrum Matters (ERM); ElectroMagnetic Compatibility (EMC) standard for radio equipment and services; Part 17: Specific conditions for 2,4 GHz wideband transmission systems and 5 GHz high performance RLAN equipment

This device is a 5GHz wideband transmission system (transceiver), intended for use in all EU member states and EFTA countries, except in France and Italy where restrictive use applies.

In Italy the end-user should apply for a license at the national spectrum authorities in order to obtain authorization to use the device for setting up outdoor radio links and/or for supplying public access to telecommunications and/or network services.

This device may not be used for setting up outdoor radio links in France and in some areas the RF output power may be limited to 10 mW EIRP in the frequency range of 2454 – 2483.5 MHz. For detailed information the end-user should contact the national spectrum authority in France.

**C €0560**

Česky [Czech]	[Jméno výrobce] tímto prohlašuje, že tento [typ zařízení] je ve shodě se základními požadavky a dalšími příslušnými ustanoveními směrnice 1999/5/ES.
Dansk [Danish]	Undertegnede [fabrikantens navn] erklærer herved, at følgende udstyr [udstyrets typebetegnelse] overholder de væsentlige krav og øvrige relevante krav i direktiv 1999/5/EF.
Deutsch [German]	Hiermit erkläre [Name des Herstellers], dass sich das Gerät [Gerätetyp] in Übereinstimmung mit den grundlegenden Anforderungen und den übrigen einschlägigen Bestimmungen der Richtlinie 1999/5/EG befindet.
Eesti [Estonian]	Käesolevaga kinnitab [tootja nimi = name of manufacturer] seadme [seadme tüüp = type of equipment] vastavust direktiivi 1999/5/EÜ põhinõuetele ja nimetatud direktiivist tulenevatele teistele asjakohastele nõuetele.
English	Hereby, [name of manufacturer], declares that this [type of equipment] is in compliance with the essential requirements and other relevant provisions of Directive 1999/5/EC.
Español [Spanish]	Por medio de la presente [nombre del fabricante] declara que el [clase de equipo] cumple con los requisitos esenciales y cualesquiera otras disposiciones aplicables o exigibles de la Directiva 1999/5/CE.
Ελληνική [Greek]	ΜΕ ΤΗΝ ΠΑΡΟΥΣΑ [name of manufacturer] ΔΗΛΩΝΕΙ ΟΤΙ [type of equipment] ΣΥΜΜΟΡΦΩΝΕΤΑΙ ΠΡΟΣ ΤΙΣ ΟΥΣΙΩΔΕΙΣ ΑΠΑΙΤΗΣΕΙΣ ΚΑΙ ΤΙΣ ΛΟΙΠΕΣ ΣΧΕΤΙΚΕΣ ΔΙΑΤΑΞΕΙΣ ΤΗΣ ΟΔΗΓΙΑΣ 1999/5/ΕΚ.

Français [French]	Par la présente [nom du fabricant] déclare que l'appareil [type d'appareil] est conforme aux exigences essentielles et aux autres dispositions pertinentes de la directive 1999/5/CE.
Italiano [Italian]	Con la presente [nome del costruttore] dichiara che questo [tipo di apparecchio] è conforme ai requisiti essenziali ed alle altre disposizioni pertinenti stabilite dalla direttiva 1999/5/CE.
Latviski [Latvian]	Ar šo [name of manufacturer / izgatavotāja nosaukums] deklarē, ka [type of equipment / iekārtas tips] atbilst Direktīvas 1999/ 5/EK būtiskajām prasībām un citiem ar to saistītajiem noteikumiem.
Lietuvių [Lithuanian]	Šiuo [manufacturer name] deklaruoja, kad šis [equipment type] atitinka esminius reikalavimus ir kitas 1999/5/EB Direktyvos nuostatas.
Nederlands [Dutch]	Hierbij verklaart [naam van de fabrikant] dat het toestel [type van toestel] in overeenstemming is met de essentiële eisen en de andere relevante bepalingen van richtlijn 1999/5/EG.
Malti [Maltese]	Hawnhekk, [isem tal-manifattur], jiddikjara li dan [il-mudel tal-prodott] jikkonforma mal-ħtiġijiet essenzjali u ma provvedimenti oħrajn rilevanti li hemm fid-Dirrettiva 1999/5/EC.
Magyar [Hungarian]	Alulírott, [gyártó neve] nyilatkozom, hogy a [... típus] megfelel a vonatkozó alapvető követelményeknek és az 1999/5/EC irányelv egyéb előírásainak.
Polski [Polish]	Niniejszym [nazwa producenta] oświadczam, że [nazwa wyrobu] jest zgodny z zasadniczymi wymogami oraz pozostałymi stosownymi postanowieniami Dyrektywy 1999/5/EC.
Português [Portuguese]	[Nome do fabricante] declara que este [tipo de equipamento] está conforme com os requisitos essenciais e outras disposições da Directiva 1999/5/CE.
Slovensko [Slovenian]	[Ime proizvajalca] izjavlja, da je ta [tip opreme] v skladu z bistvenimi zahtevami in ostalimi relevantnimi določili direktive 1999/5/ES.
Slovensky [Slovak]	[Meno výrobcu] týmto vyhlasuje, že [typ zariadenia] spĺňa základné požiadavky a všetky príslušné ustanovenia Smernice 1999/5/ES.
Suomi [Finnish]	[Valmistaja = manufacturer] vakuuttaa täten että [type of equipment = laitteen tyyppimerkintä] tyyppinen laite on direktiivin 1999/5/EY oleellisten vaatimusten ja sitä koskevien direktiivin muiden ehtojen mukainen.

# Appendix C - IC Interference Statement

## Industry Canada statement

This device complies with RSS-210 of the Industry Canada Rules. Operation is subject to the following two conditions: (1) This device may not cause harmful interference, and (2) this device must accept any interference received, including interference that may cause undesired operation.

Ce dispositif est conforme à la norme CNR-210 d'Industrie Canada applicable aux appareils radio exempts de licence. Son fonctionnement est sujet aux deux conditions suivantes: (1) le dispositif ne doit pas produire de brouillage préjudiciable, et (2) ce dispositif doit accepter tout brouillage reçu, y compris un brouillage susceptible de provoquer un fonctionnement indésirable.



### **IC Caution:**

High-power radars are allocated as primary users (i.e. priority users) of the bands 5250-5350 MHz and 5650-5850 MHz and that these radars could cause interference and/or damage to LE-LAN devices.



### **Avertissement:**

De plus, les utilisateurs devraient aussi être avisés que les utilisateurs de radars de haute puissance sont désignés utilisateurs principaux (c.-à-d., qu'ils ont la priorité) pour les bandes 5250-5350 MHz et 5650-5850 MHz et que ces radars pourraient causer du brouillage et/ou des dommages aux dispositifs LAN-EL.

## **IMPORTANT NOTE:**

### **Radiation Exposure Statement**

This equipment complies with IC radiation exposure limits set forth for an uncontrolled environment. This equipment should be installed and operated with minimum distance 20cm between the radiator & your body.

### **Déclaration d'exposition aux radiations**

Cet équipement est conforme aux limites d'exposition aux rayonnements IC établies pour un environnement non contrôlé. Cet équipement doit être installé et utilisé avec un minimum de 20cm de distance entre la source de rayonnement et votre corps.

# Appendix D - Professional Installation Instruction

## Installation Personal

This product is designed for specific application and needs to be installed by a qualified personal who has RF and related rule knowledge. The general user shall not attempt to install or change the setting.

## Installation Location

The product shall be installed at a location where the radiating antenna can be kept 20cm from nearby person in normal operation condition to meet regulatory RF exposure requirement.

## External Antenna

Use only the antennas which have been approved by the applicant. The non-approved antenna(s) may produce unwanted spurious or excessive RF transmitting power which may lead to the violation of FCC/IC limit and is prohibited.

## Installation Procedure

Please refer to user's manual for the detail.



### **Warning:**

Please carefully select the installation position and make sure that the final output power does not exceed the limit set force in relevant rules. The violation of the rule could lead to serious federal penalty.

# Appendix E - Instructions d'installation professionnelle

## Installation

CCe produit est destiné à un usage spécifique et doit être installé par un personnel qualifié maîtrisant les radiofréquences et les réglages y rapportant. L'installation et les réglages ne doivent pas être modifiés par l'utilisateur final.

## Emplacement d'installation

En usage normal, afin de respecter les exigences réglementaires concernant l'exposition aux radiofréquences, ce produit doit être installé de façon à respecter une distance de 20cm entre l'antenne émettrice et les personnes.

## Antenne externe

Utiliser uniquement les antennes approuvées par le fabricant. L'utilisation d'autres antennes peut conduire à un niveau de rayonnement essentiel ou non essentiel dépassant les niveaux limites définis par FCC/IC, ce qui est interdit.

## Procédure d'installation

Consulter le manuel d'utilisation.



### **Avertissement:**

Choisir avec soin la position d'installation et s'assurer que la puissance de sortie ne dépasse pas les limites en vigueur. La violation de cette règle peut conduire à de sérieuses pénalités fédérales.



# Appendix F - Detachable Antenna Usage

This device has been designed to operate with an antenna having a maximum gain of 7 dB. Antenna having a higher gain is strictly prohibited per regulations of Industry Canada. The required antenna impedance is 50 ohms.

Under Industry Canada regulations, this radio transmitter may only operate using an antenna of a type and maximum (or lesser) gain approved for the transmitter by Industry Canada. To reduce potential radio interference to other users, the antenna type and its gain should be so chosen that the equivalent isotropically radiated power (e.i.r.p.) is not more than that necessary for successful communication.

This radio transmitter (IC: 10103A-ENH710EXT / Model: ENH710EXT) has been approved by Industry Canada to operate with the antenna types listed below with the maximum permissible gain and required antenna impedance for each antenna type indicated. Antenna types not included in this list, having a gain greater than the maximum gain indicated for that type, are strictly prohibited for use with this device.

Ce dispositif a été conçu pour fonctionner avec une antenne ayant un gain maximal de dB 7. Une antenne à gain plus élevé est strictement interdite par les règlements d'Industrie Canada. L'impédance d'antenne requise est de 50 ohms.

Conformément à la réglementation d'Industrie Canada, le présent émetteur radio peut fonctionner avec une antenne d'un type et d'un gain maximal (ou inférieur) approuvé pour l'émetteur par Industrie Canada. Dans le but de réduire les risques de brouillage radioélectrique à l'intention des autres utilisateurs, il faut choisir le type d'antenne et son gain de sorte que la puissance isotrope rayonnée équivalente (p.i.r.e.) ne dépasse pas l'intensité nécessaire à l'établissement d'une communication satisfaisante.

Le présent émetteur radio (IC: 10103A-ENH710EXT / Model: ENH710EXT) a été approuvé par Industrie Canada pour fonctionner avec les types d'antenne énumérés ci-dessous et ayant un gain admissible maximal et l'impédance requise pour chaque type d'antenne. Les types d'antenne non inclus dans cette liste, ou dont le gain est supérieur au gain maximal indiqué, sont strictement interdits pour l'exploitation de l'émetteur.

## Approved Antenna(s) List

Type : Dipole

Gain : 5dBi for 2.4GHz / 7dBi for 5GHz