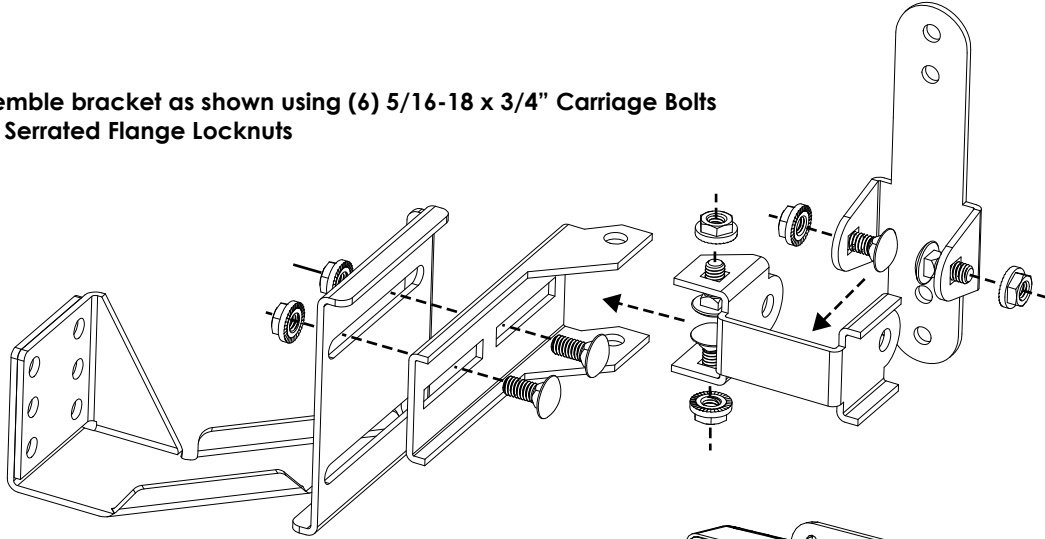
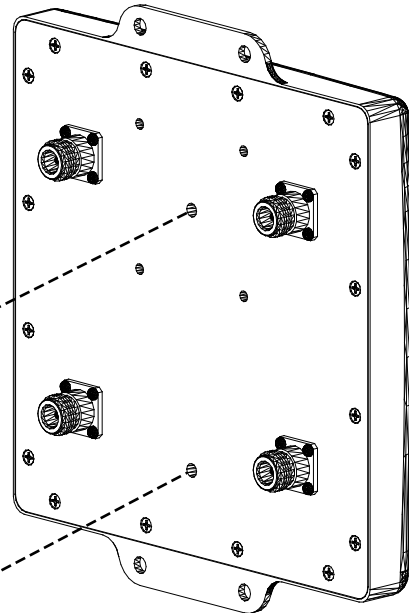


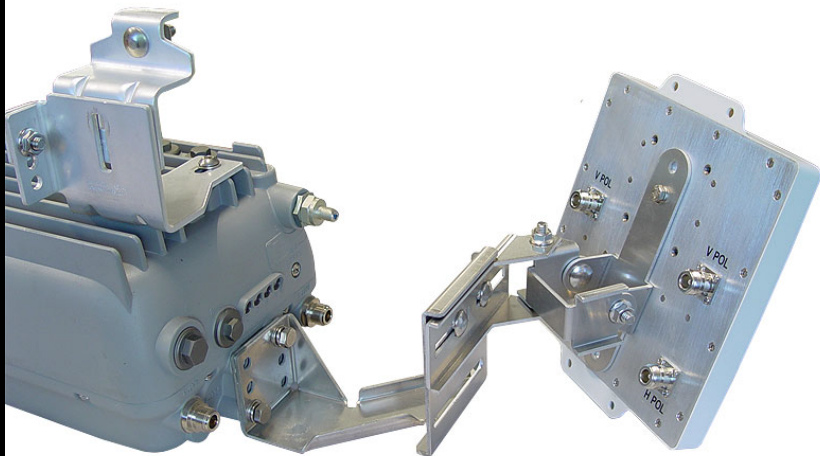
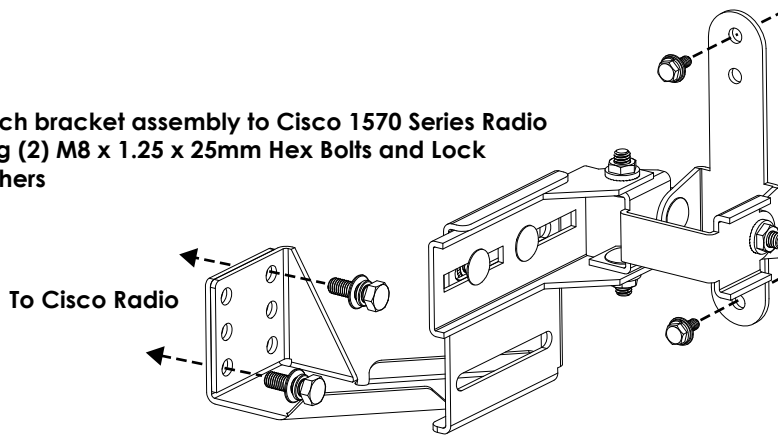
Assemble bracket as shown using (6) 5/16-18 x 3/4" Carriage Bolts and Serrated Flange Locknuts



Attach antenna (sold separately) to bracket using (2) 1/4-20 x 1/2" Hex Bolts with Lock Washers as shown



Attach bracket assembly to Cisco 1570 Series Radio using (2) M8 x 1.25 x 25mm Hex Bolts and Lock Washers



**INCLUDED HARDWARE**

HARDWARE	QTY
1/4-20 X 1/2" HEX BOLT	2
1/4" FLAT WASHER	2
1/4" LOCK-WASHER	2
5/16-18 X 3/4" CARRIAGE BOLT	6
5/16-18 SERRATED-FLANGE LOCKNUT	6
M8 X 1.25 X 25mm HEX BOLT	2
M8 FLAT WASHER	2
M8 LOCK-WASHER	2