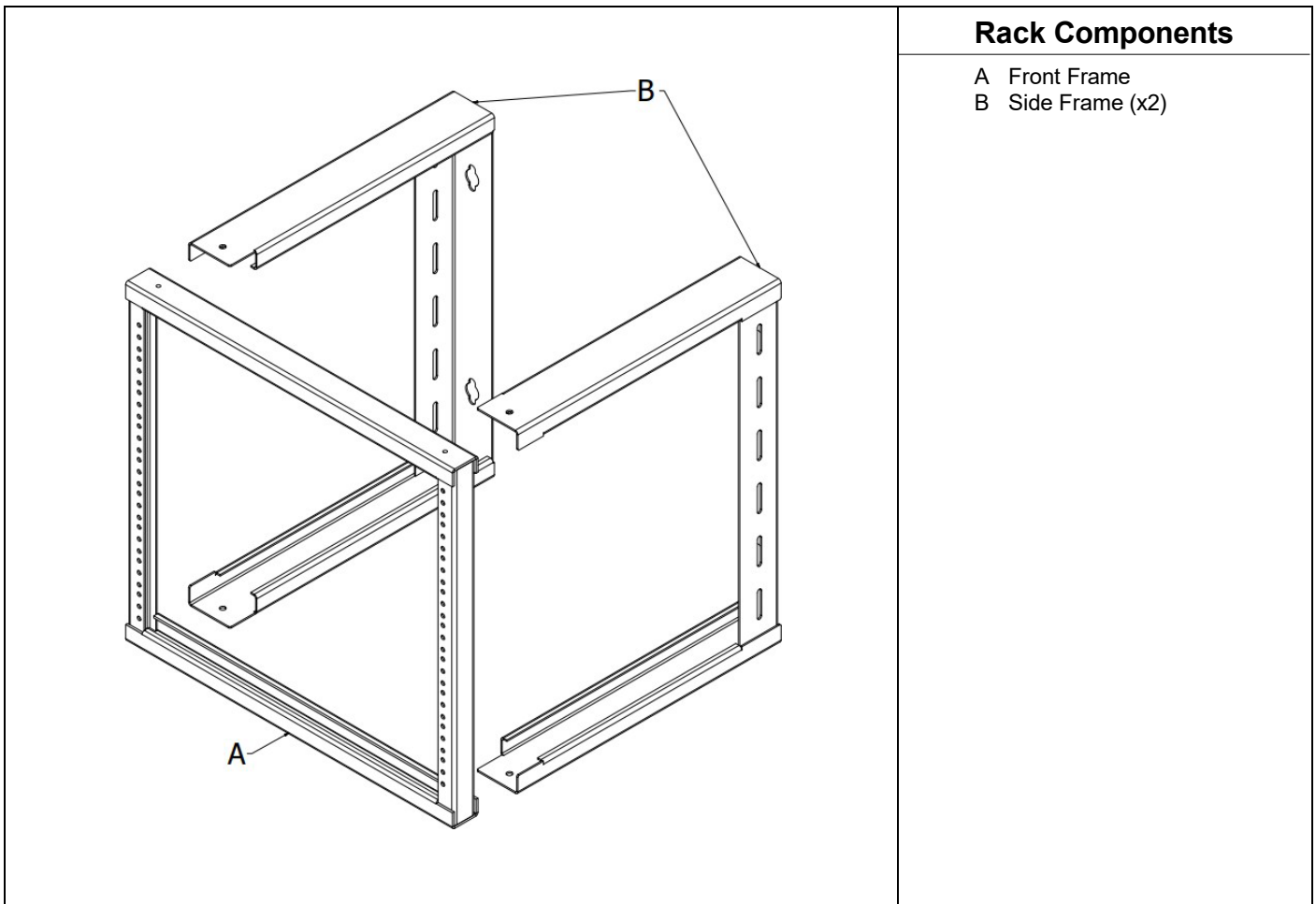


Keep this information for further reference.

- Thank you for purchasing an SMC product.
- Please examine the product for any damaged parts. If any part is damaged or missing, contact SMC for assistance. Do not attempt to install or use product if it has been damaged. This product contains small items that could be a choking hazard – keep these items away from children.
- During installation, lay product contents on cardboard or other protective surface to avoid any damage.
- Do not use with equipment that is heavier than the indicated weight capacity for this product. This product is designed to be installed indoors on wood stud walls, solid concrete walls or brick walls. Make sure that the supporting surface will safely support the weight of the equipment and all attached hardware and components. It is recommended that installation be performed by a qualified installer. SMC cannot be held responsible for damage to equipment or personal injury resulting from improper use or installation of product.
- Maintenance: Check that the product is secure and safe to use at regular intervals (at least every three months).
- Limitations of Liability: In no event will SMC, LLC. be liable for any damages, whether direct or indirect, special, punitive, incidental or consequential damages (including, but not limited to, lost profits or revenue, loss of use, lost business opportunities or loss of goodwill) or for the costs of procuring substitute products, arising out of or in connection with the use of the product, whether such liability arises from any claim based upon contract, warranty, tort (including negligence), product liability or otherwise, whether or not seller has been advised of the possibility of such loss or damage. In no event will seller's total cumulative liability, from all causes of action and all theories of liability, exceed the total amounts actually paid to seller by customer under the order that gives rise to any liability hereunder.

# 1. PARTS IDENTIFICATION



## Rack Components

- A Front Frame
- B Side Frame (x2)

## Rack Installation Hardware

C



M6 Screws (x4)

## Equipment Mounting Hardware

D



12-24 Mounting Screws (x12)

E

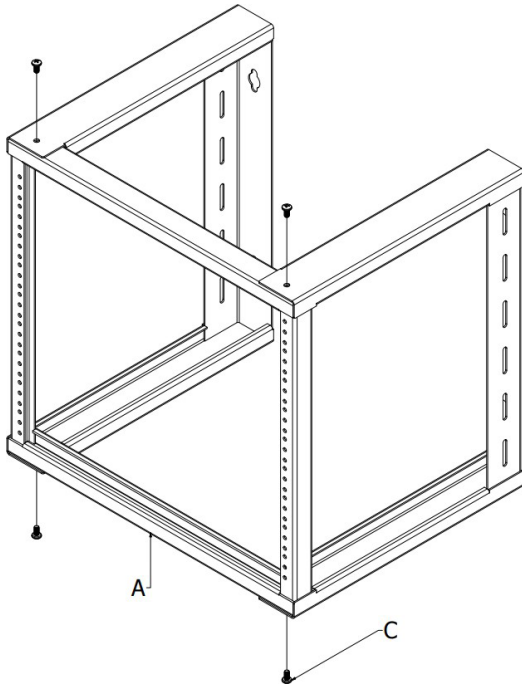


Anchors (x4)

**Tools Required:** Phillips Screwdriver (not included)

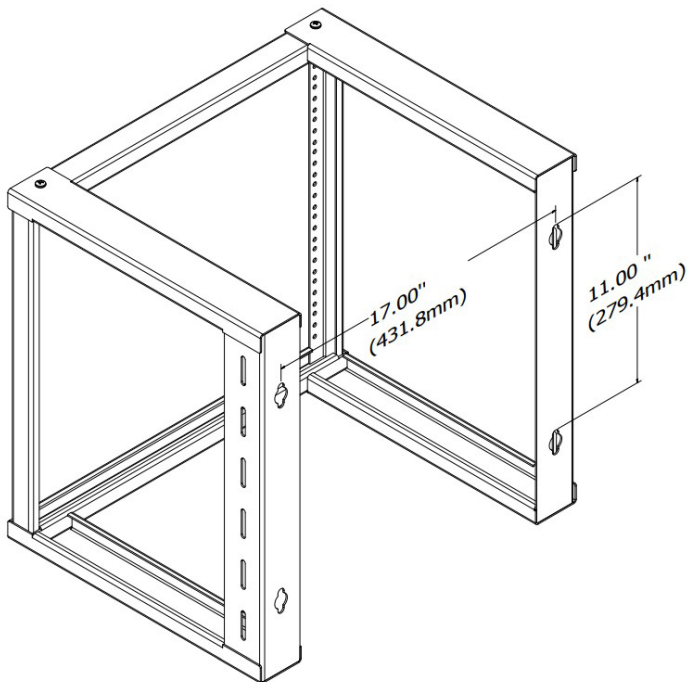
## 2. RACK ASSEMBLY

### Assemble Front Frame to Side Frames



Attach Front Frame (A) to the Side Frames (B) and secure them with 4 of the M6 Screws (C) using a Phillips Screwdriver (not included).

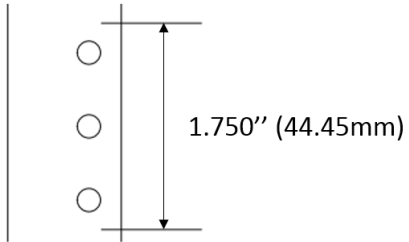
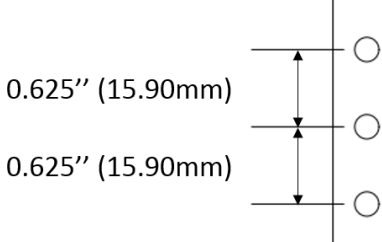
## 3. MOUNTING THE RACK TO THE WALL



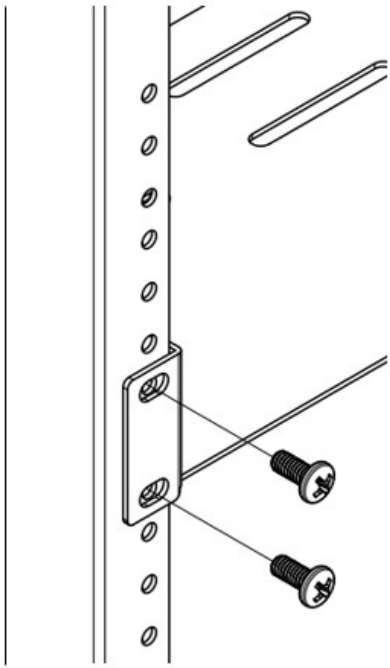
Attach the rack to a wall or other suitable mounting surface using appropriate anchors. The mounting holes are spaced 17" (431.8mm) as reflected in the diagram.

**Warning:** Do not attempt to mount to wall when equipment is already mounted inside the rack. The rack can hold up to 110 pounds evenly distributed. Make sure the wall surface can hold both the weight of the cabinet and the rack mounted equipment.

## 4. EQUIPMENT INSTALLATION

1 Rack Unit	
	

### Tapped Hole Mounting

	<p>Use the included 12-24 Mounting Screws (D) to secure your equipment to the Front Frame (A).</p>
--	--