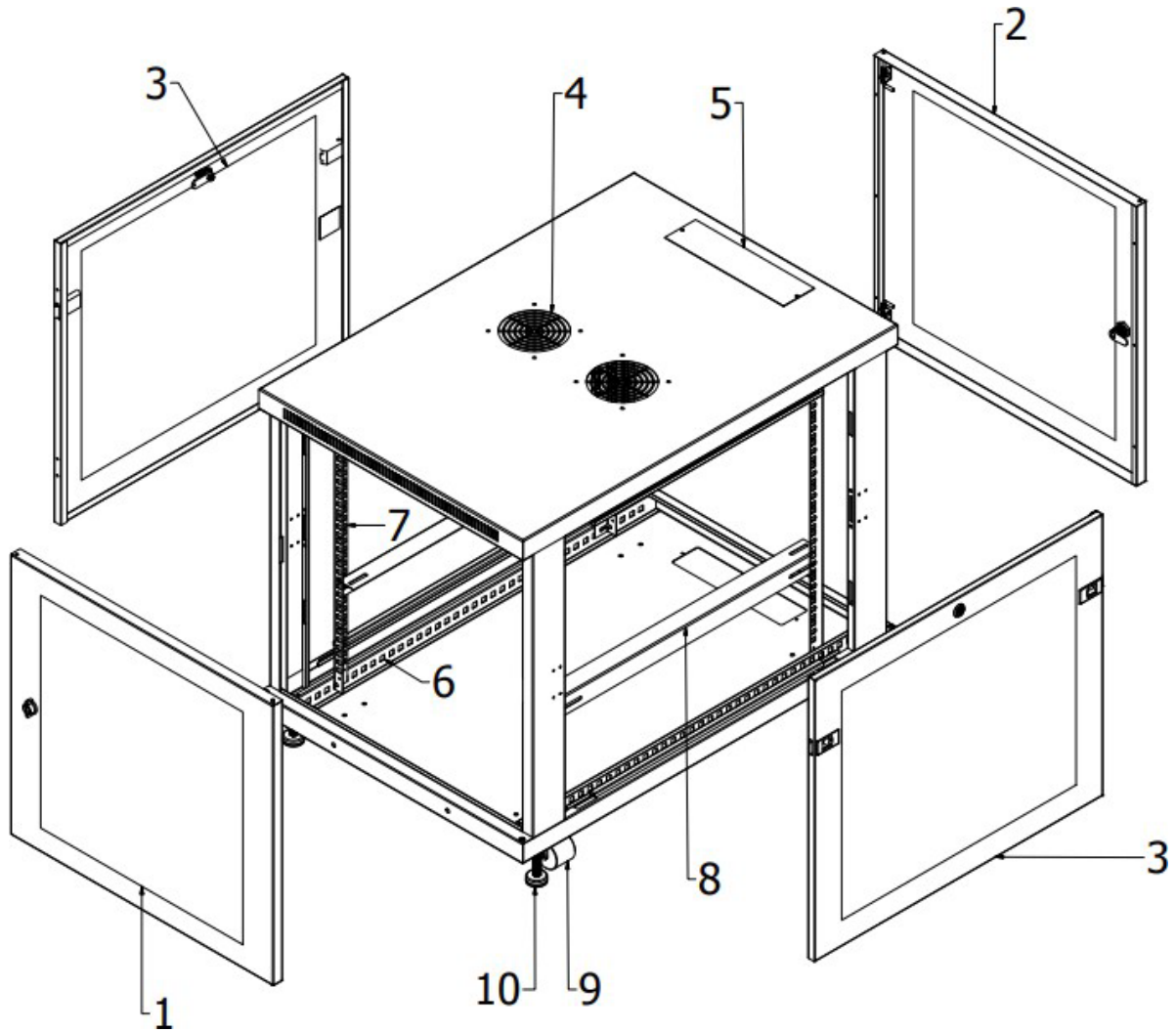


Keep this information for further reference.

- Thank you for purchasing an L-COM product.
- Please examine the product for any damaged parts. If any part is damaged or missing, contact L-COM for assistance. Do not attempt to install or use product if it has been damaged.
- Improper installation or use of this product could result in damage to the product, other equipment, or personal injury. L-COM cannot be held responsible for damage to equipment or personal injury resulting from improper use or installation of product. If product is intended to store/mount equipment, please ensure the equipment stored/mounted does not exceed the specified weight capacity.
- Limitations of Liability: In no event will L-COM, LLC. be liable for any damages, whether direct or indirect, special, punitive, incidental or consequential damages (including, but not limited to, lost profits or revenue, loss of use, lost business opportunities or loss of goodwill) or for the costs of procuring substitute products, arising out of or in connection with the use of the product, whether such liability arises from any claim based upon contract, warranty, tort (including negligence), product liability or otherwise, whether or not seller has been advised of the possibility of such loss or damage. In no event will the seller's total cumulative liability, from all causes of action and all theories of liability, exceed the total amounts actually paid to seller by customer under the order that gives rise to any liability hereunder.

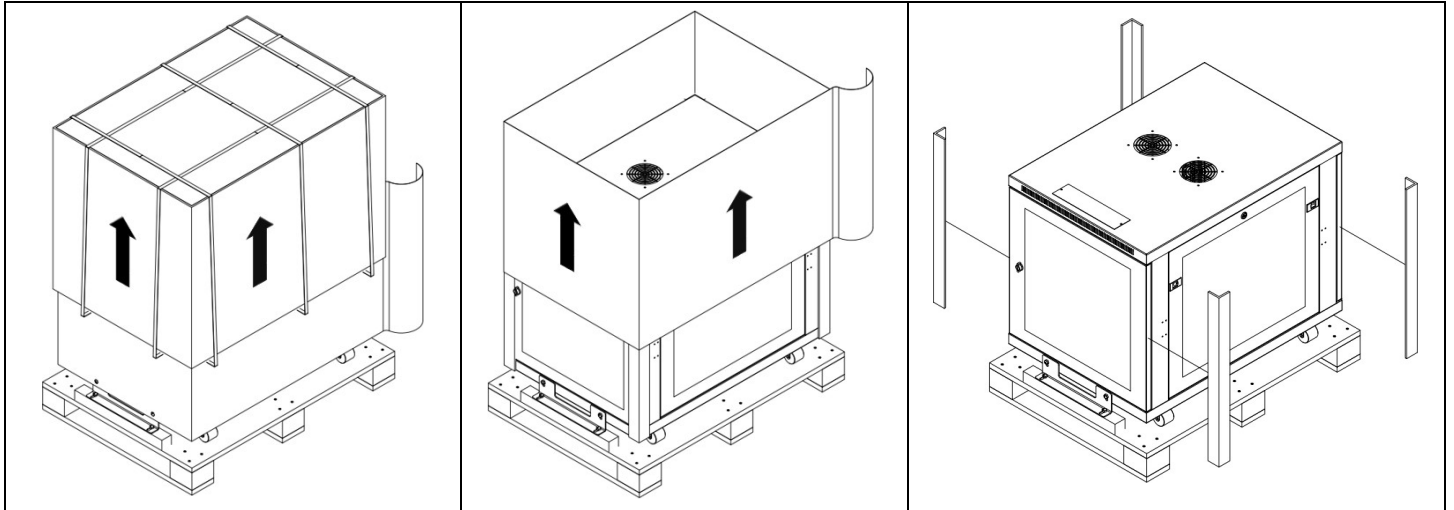
FEATURE IDENTIFICATION



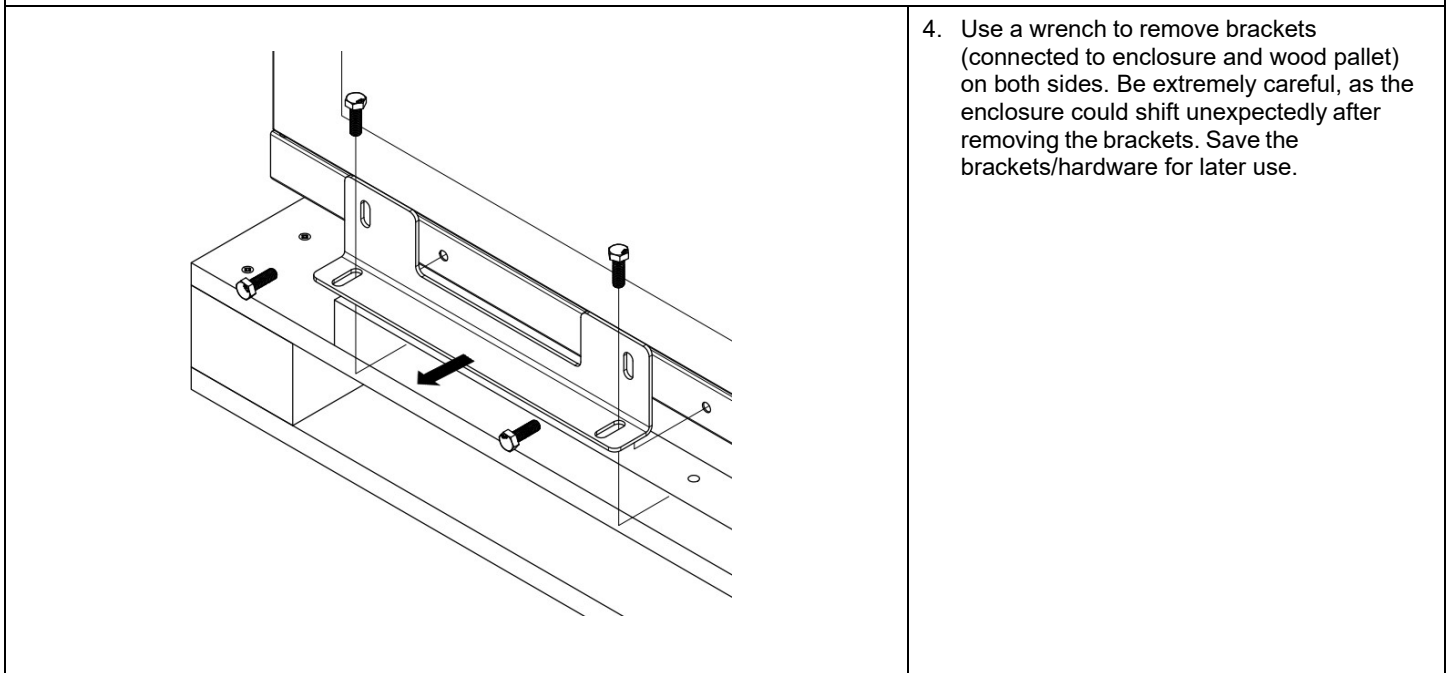
1. Front Door
2. Back Door
3. Removable Side Panel
4. Fan Vents
5. Removable Cable Access Panels
6. Horizontal Rails
7. Vertical Mounting Rails
8. "L" Brackets
9. Casters
10. Levelers

ENCLOSURE INSTALLATION

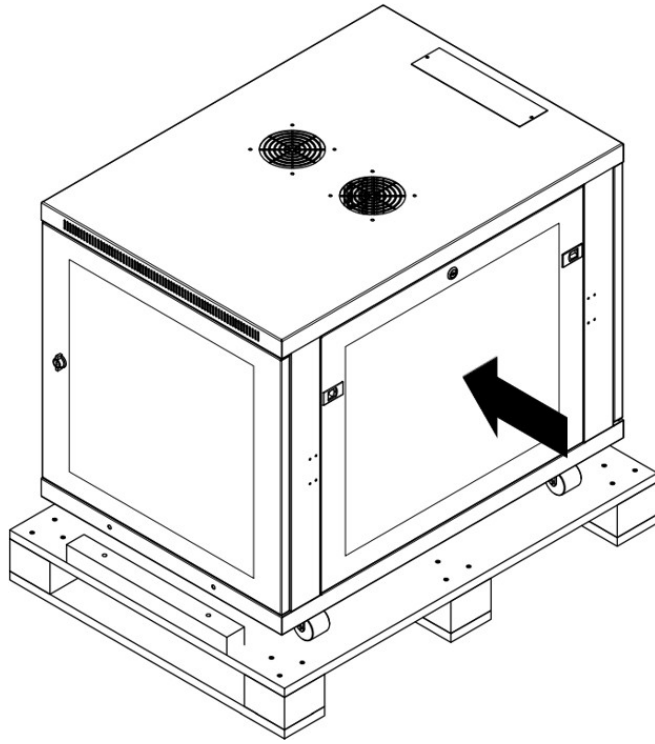
Unpacking



1. Remove external corrugated packaging.
2. Remove plastic surrounding the enclosure.
3. Remove corner protectors.



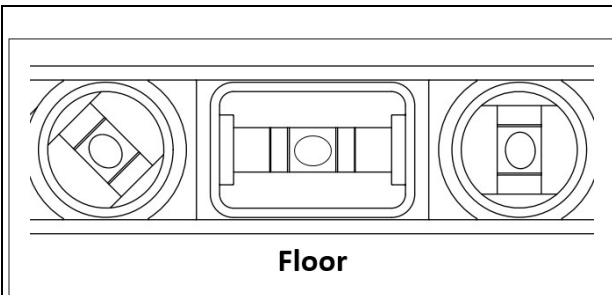
4. Use a wrench to remove brackets (connected to enclosure and wood pallet) on both sides. Be extremely careful, as the enclosure could shift unexpectedly after removing the brackets. Save the brackets/hardware for later use.



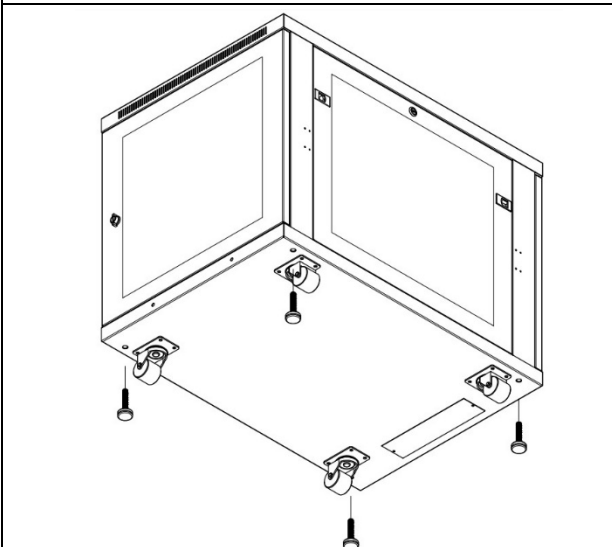
WARNING: Two people should remove the enclosure from the pallet. Be extremely careful when moving the enclosure. Position at least one person at the front of the enclosure and one person at the rear of the enclosure. Slowly push (or lift) the enclosure off the side of the shipping pallet. Use the casters to move the enclosure for a short distance over a level, smooth, stable surface by pushing it from the front or rear of the enclosure. Do not attempt to roll the enclosure over long distances. The enclosure should be moved close to its installation location inside its shipping container before it is unpacked. (Use a forklift or pallet jack to move the shipping container.) **WARNING: Do not pull the enclosure toward you as it may result in injury**

Leveling

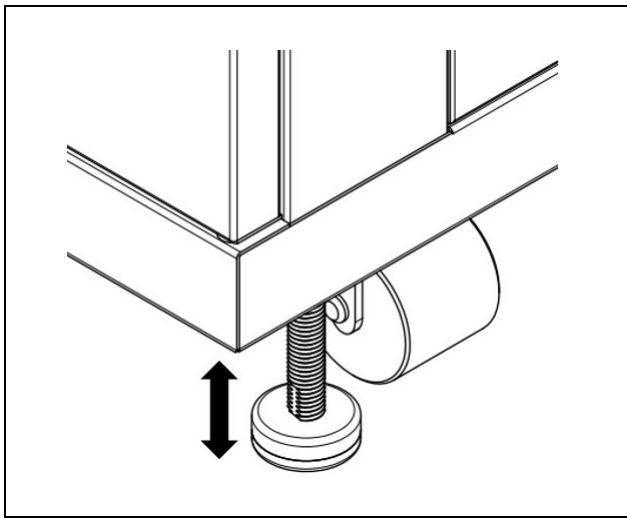
Level the enclosure before attempting to install any equipment into the enclosure. The casters are not designed to provide long-term support for the enclosure. Use the levelers to provide long-term support. Install the enclosure in a structurally sound area with a level floor that can bear the weight of the enclosure, all equipment that will be installed in the enclosure and any other enclosures and/or equipment that will be installed nearby.



1. After the enclosure has been moved to the installation location, use a carpenter's level to check the slope of the floor. If the slope is excessive, choose an alternative location.



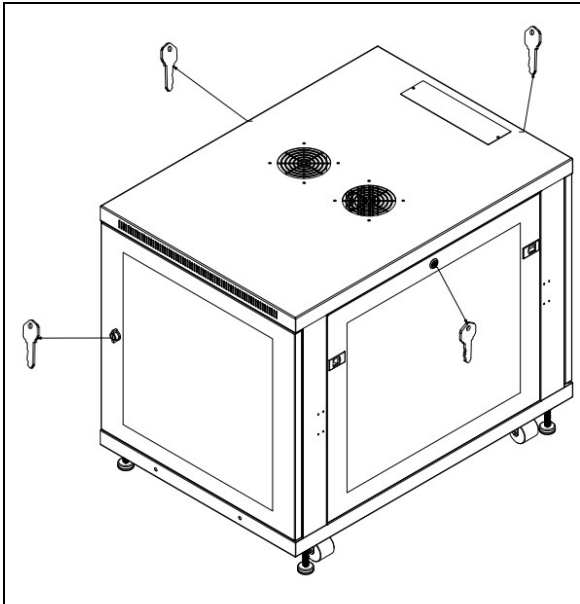
2. There are 4 levelers included with your rack enclosure, 2 for the front and 2 for the rear. Using a 14 mm open-end wrench, install the levelers at the base of the unit using the threaded holes near each corner of the enclosure by turning the leveler counterclockwise.



3. Use the 19 mm open-end wrench to lower each leveler until it contacts the floor.

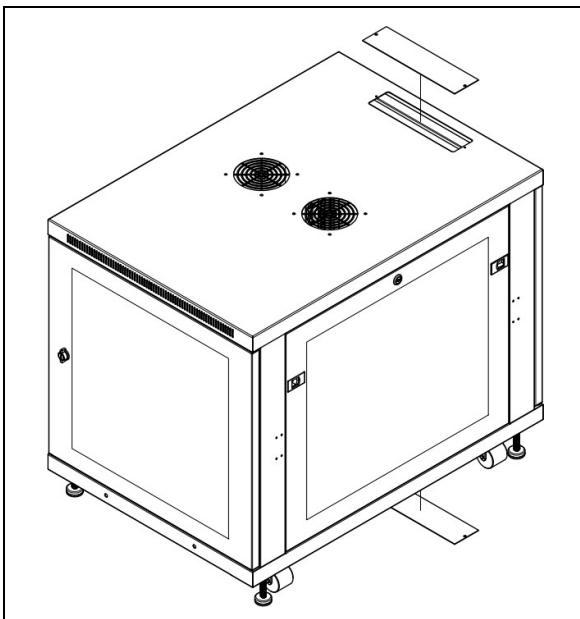
ENCLOSURE CONFIGURATION

Door Locks



The front/back door and both side panels contain locks that are lockable with the included keys.

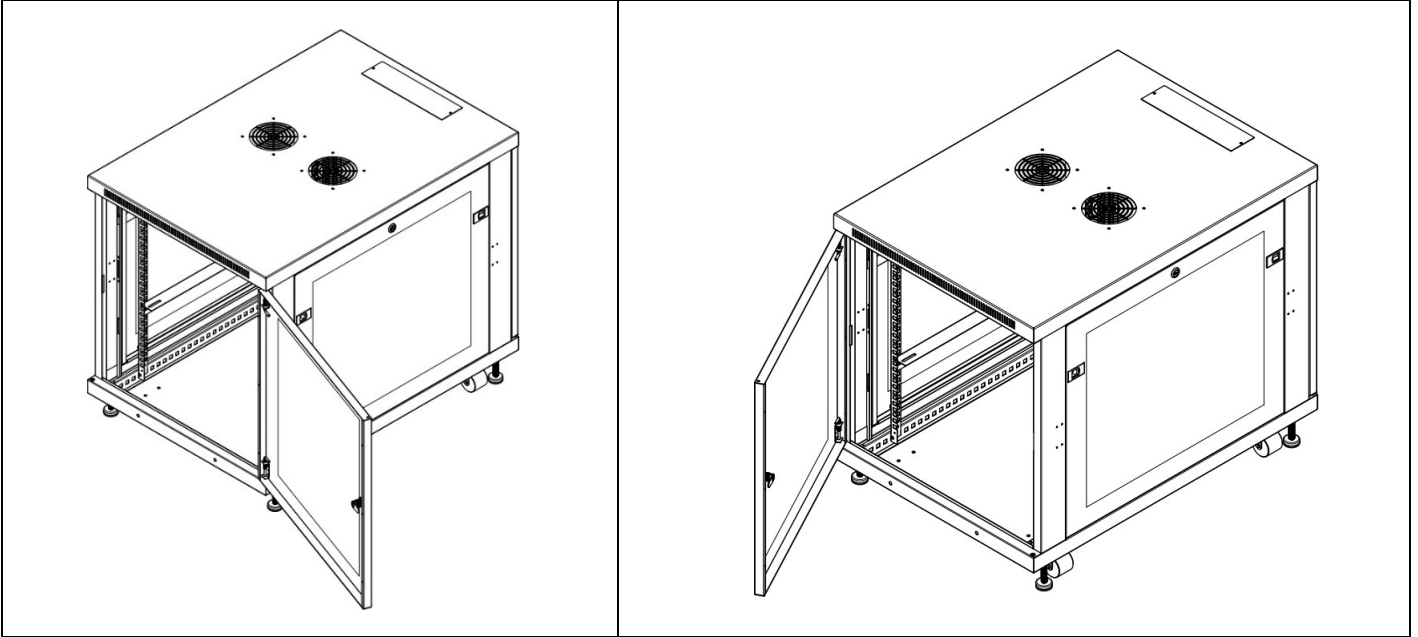
Cable Access and Management



The top and bottom of the cabinet have rectangular openings for cable access and management. These openings can be opened or closed by unscrewing or screwing in the removable cable access panels.

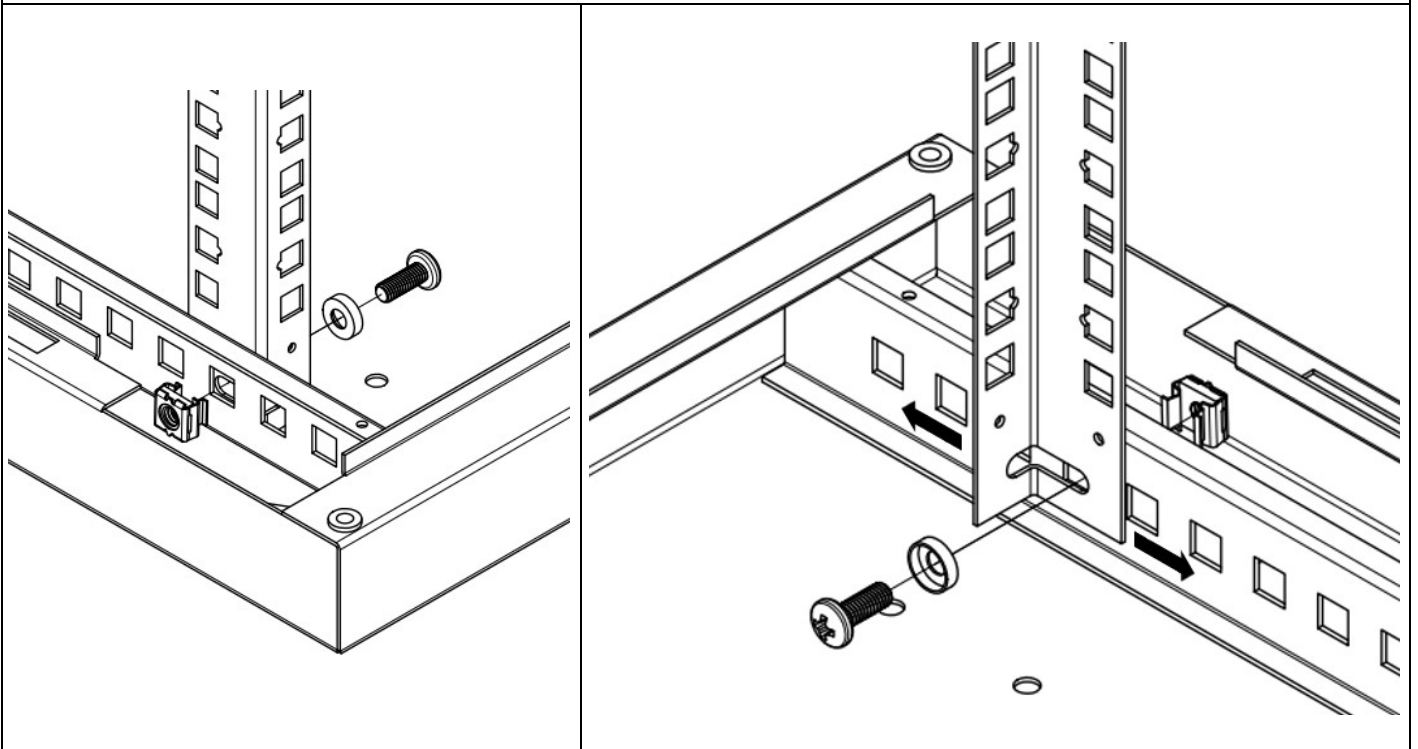
Front Door Direction

Front/Back door can be configured to open in either direction

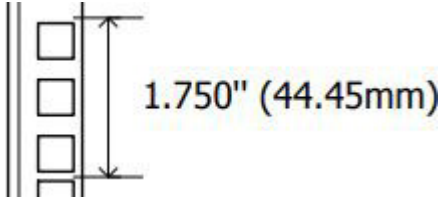
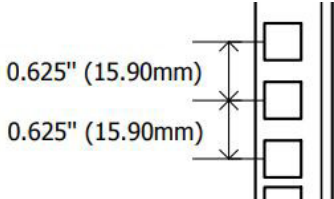


Adjusting Mounting Rail Depth

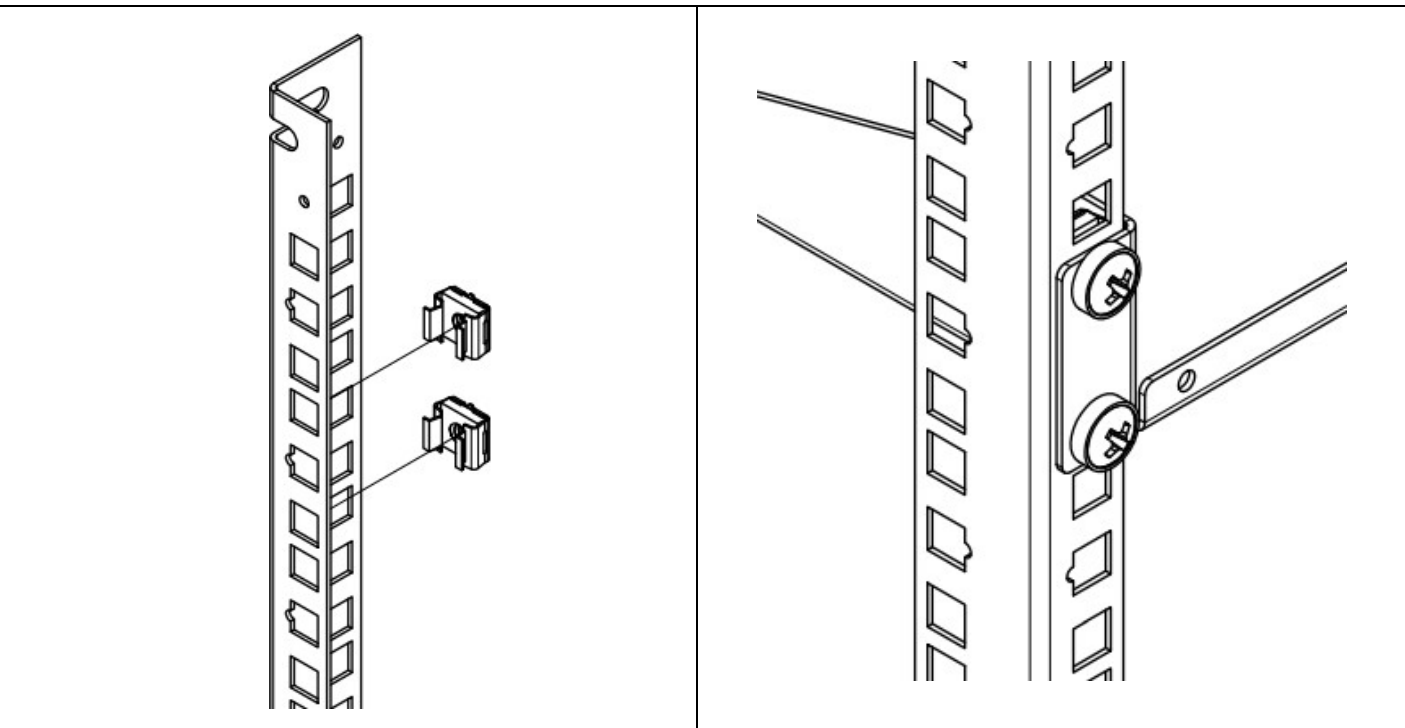
1. Each vertical Mounting Rail is connected to the enclosure with 2 screws and 2 cage nuts: 1 set in the upper corner and another in the lower corner. Using a Phillips-head screwdriver, remove the screws that fasten the rails to the enclosure.
2. Move the cage nuts to the desired depth and reinstall.
3. Slide the mounting rails to the desired depth and reattach them.



EQUIPMENT INSTALLATION

1 Rack Unit	
 <p>1.750" (44.45mm)</p>	 <p>0.625" (15.90mm) 0.625" (15.90mm)</p>
<p>Note: The unit comes with two different kinds of screws for equipment installation, black and silver. Use the black mounting screws if you are securing your equipment to the square hole side of the mounting rail. Use the silver screws if you are securing your equipment to the tapped hole side of the mounting rail.</p>	

Installing Cage Nuts



1. Locate the numbered square openings in the mounting rails where you plan to install your equipment. You will install cage nuts (included) into the square openings to provide an attachment point for the mounting screws (included). Note: Consult your equipment documentation to determine how many cage nuts will be required and where they will need to be installed.
 - a. From the inside of the mounting rail, insert one of the flanges of the cage nut through the square opening. Press it against the side of the square opening. Each flange should engage one side of the square opening, not the top or bottom.
 - b. Compress the cage nut at the sides slightly to allow the remaining flange to fit through the square opening. When the cage nut is properly installed, both flanges will protrude through the square opening and will be visible on the outer surface of the mounting rail. Repeat steps 1a and 1b until all required cage nuts are installed.
2. After installing the required cage nuts, use the included black mounting screws and cup washers to secure your equipment to the rack rail. Place the cup washers between the screws and the equipment mounting brackets.