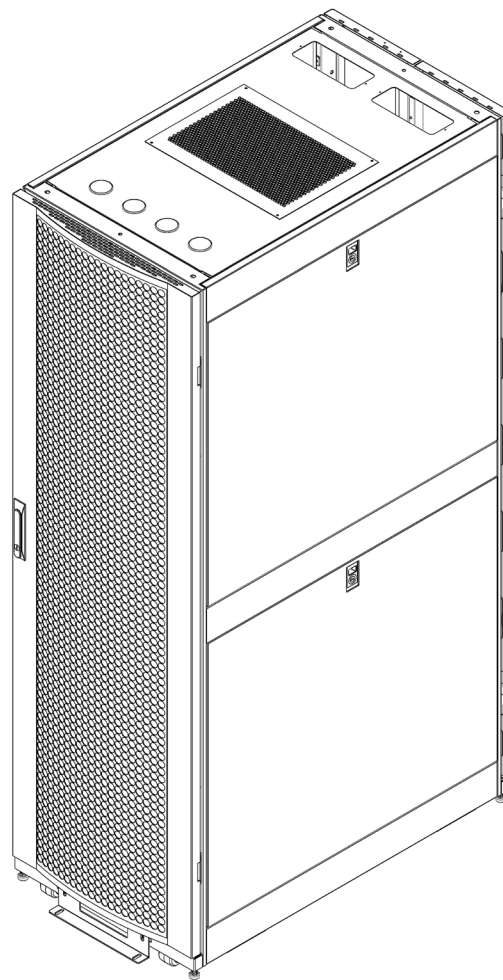




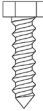



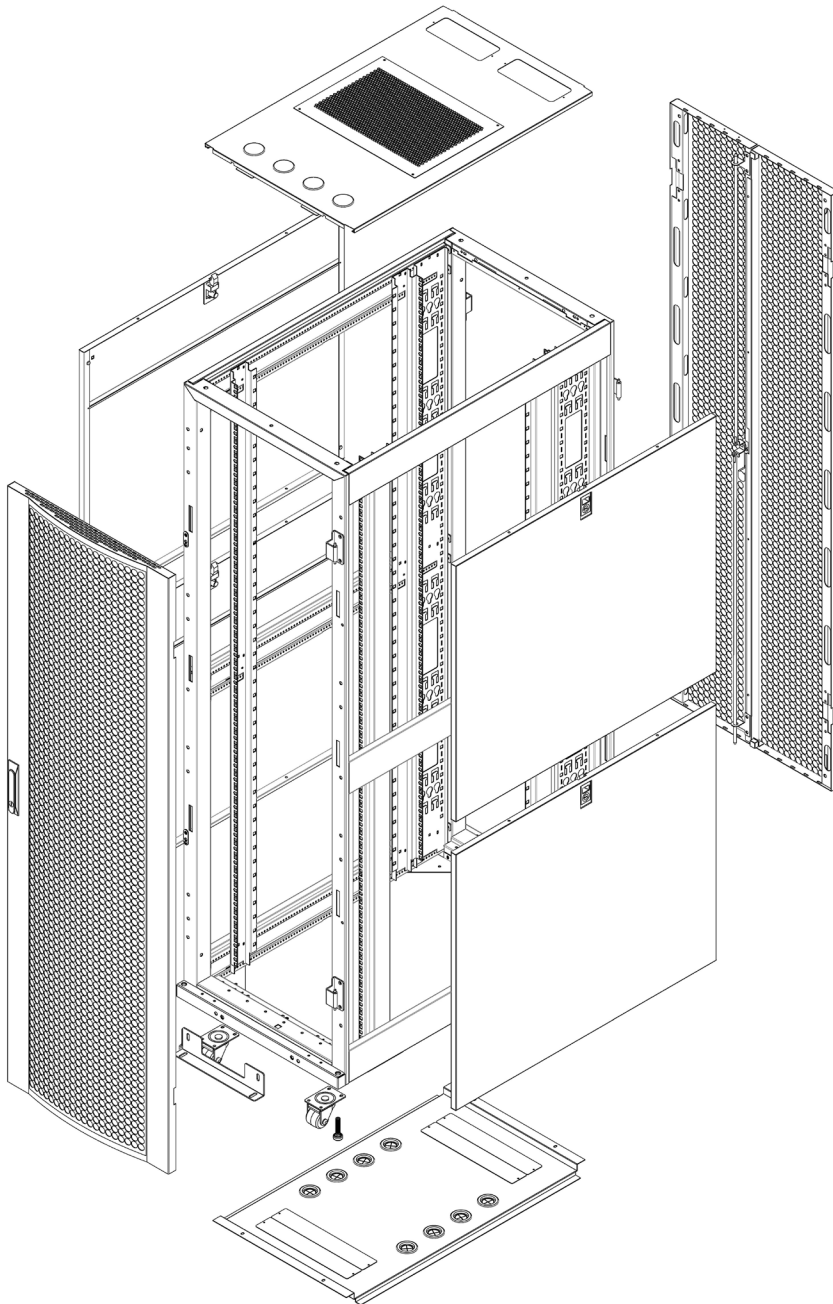
## Assembly manual

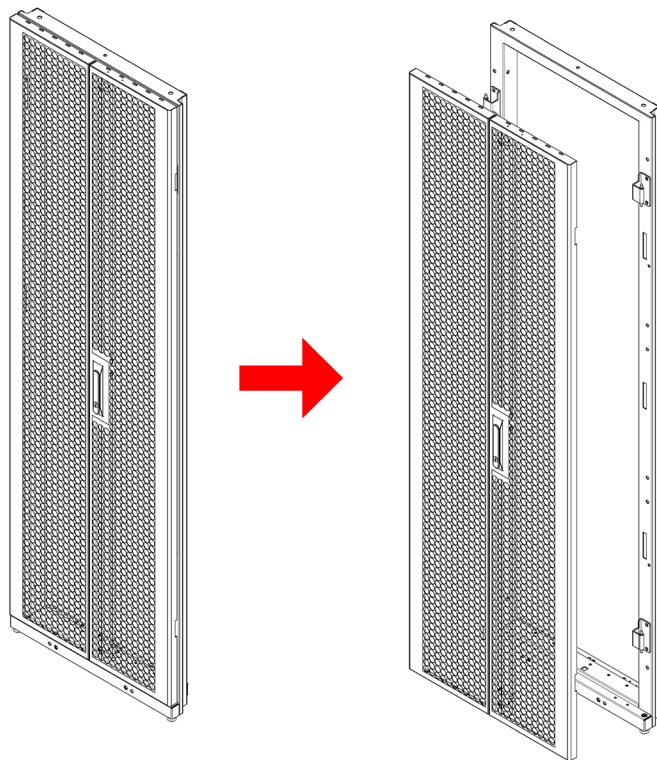
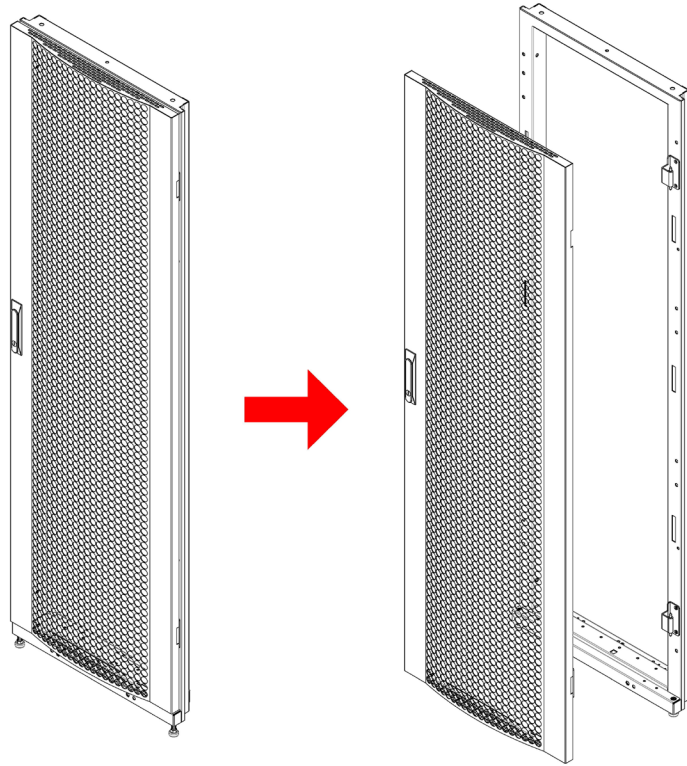


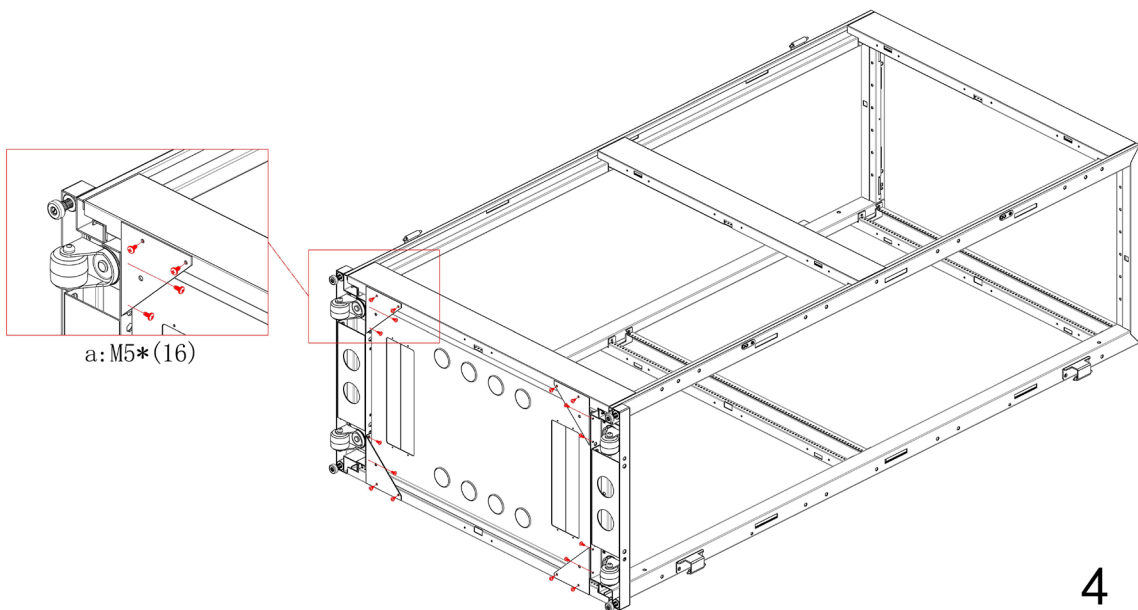
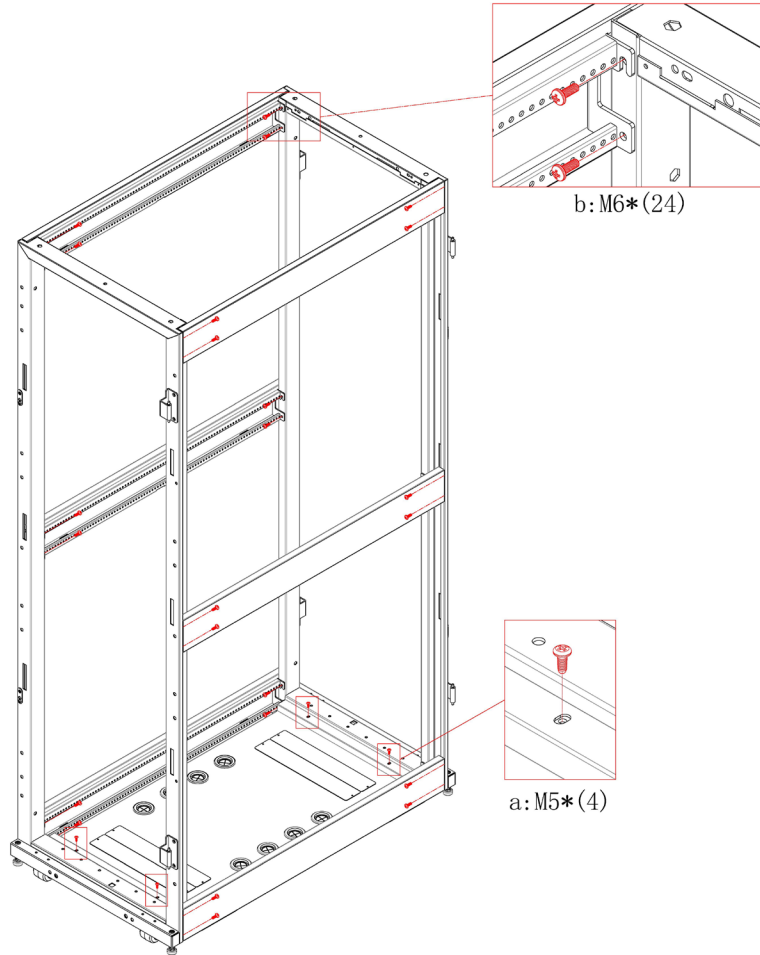
Keep this information for further reference.

- Thank you for purchasing an L-COM product.
- Please examine the product for any damaged parts. If any part is damaged or missing, contact L-COM for assistance. Do not attempt to install or use product if it has been damaged.
- Improper installation or use of this product could result in damage to the product, other equipment, or personal injury. L-COM cannot be held responsible for damage to equipment or personal injury resulting from improper use or installation of product. If product is intended to store/mount equipment, please ensure the equipment stored/mounted does not exceed the specified weight capacity.
- Limitations of Liability: In no event will L-COM, LLC, be liable for any damages, whether direct or indirect, special, punitive, incidental or consequential damages (including, but not limited to, lost profits or revenue, loss of use, lost business opportunities or loss of goodwill) or for the costs of procuring substitute products, arising out of or in connection with the use of the product, whether such liability arises from any claim based upon contract, warranty, tort (including negligence), product liability or otherwise, whether or not seller has been advised of the possibility of such loss or damage. In no event will the seller's total cumulative liability, from all causes of action and all theories of liability, exceed the total amounts actually paid to seller by customer under the order that gives rise to any liability hereunder.

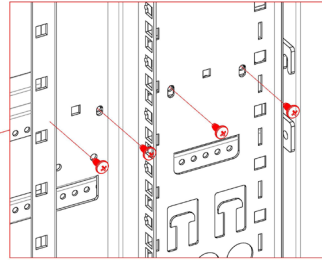
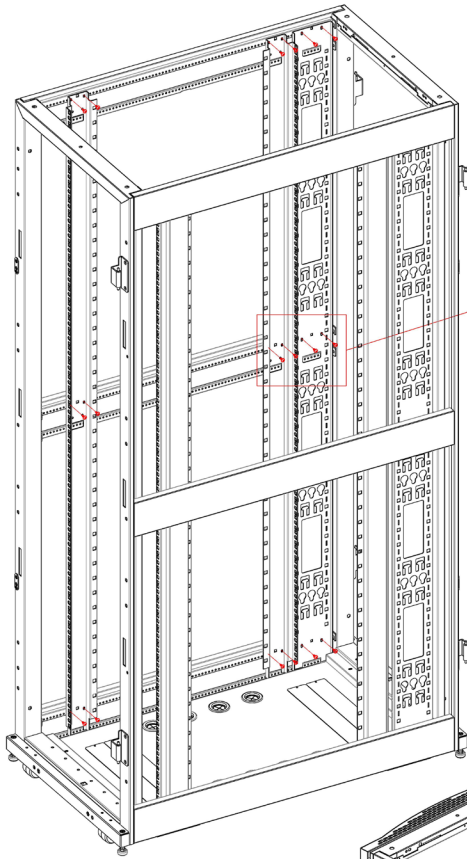
Sketch Plan	 a: M5	 b: M6	 c: M8	 d: M8	 e: M8	 f: M8
Quantity	56X	24X	4X	4X	4X	4X



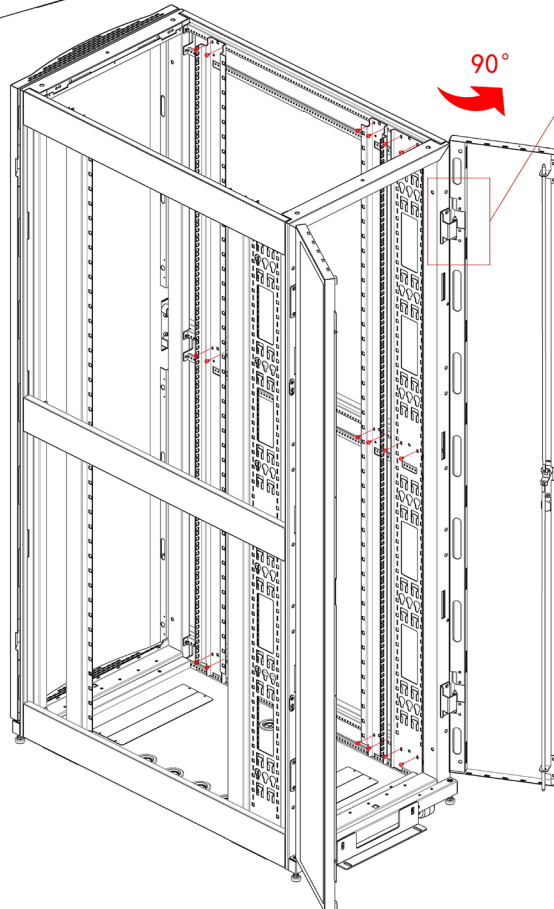




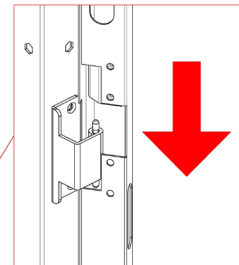




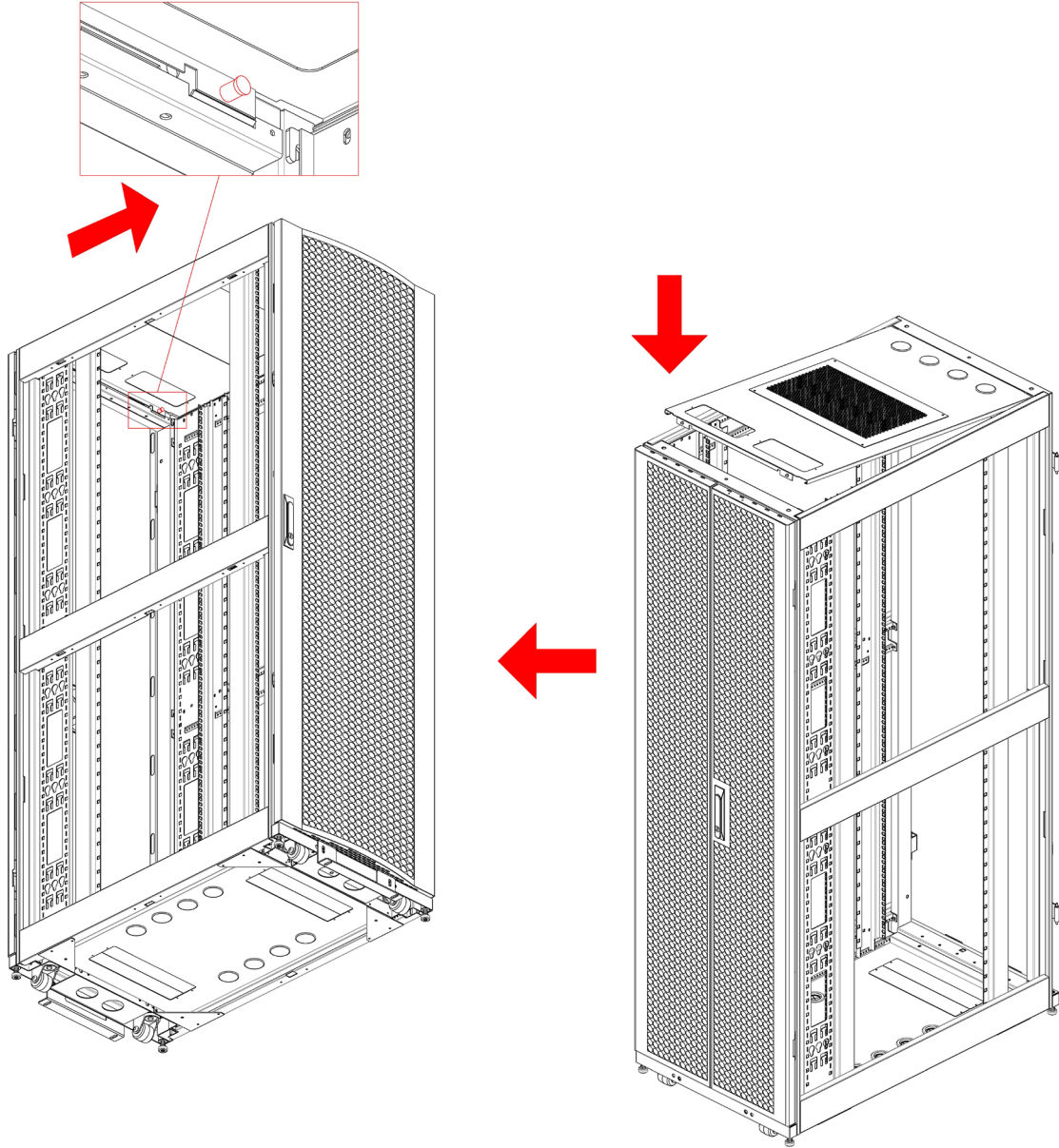
a: M5\*(36)

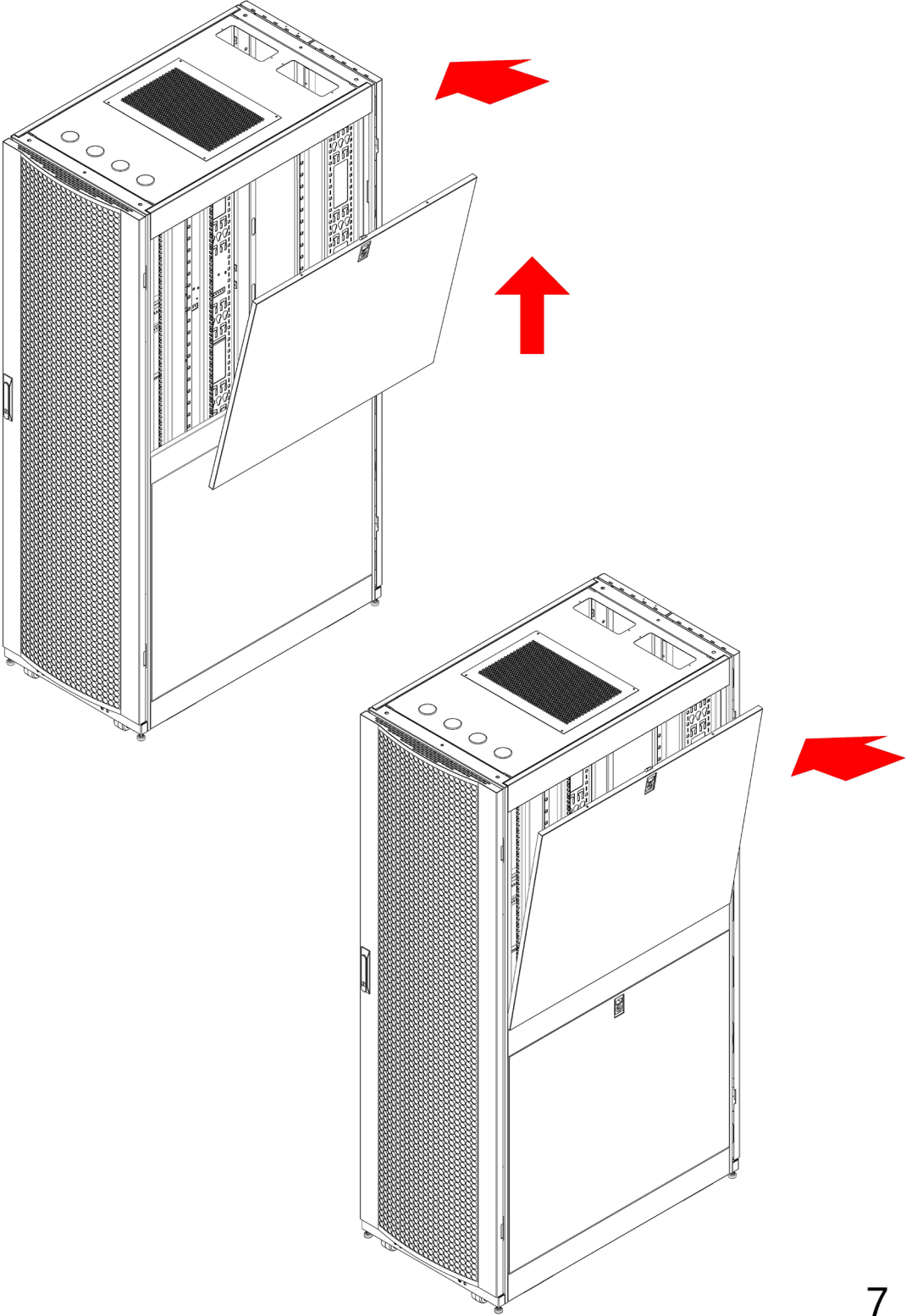


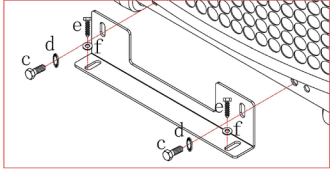
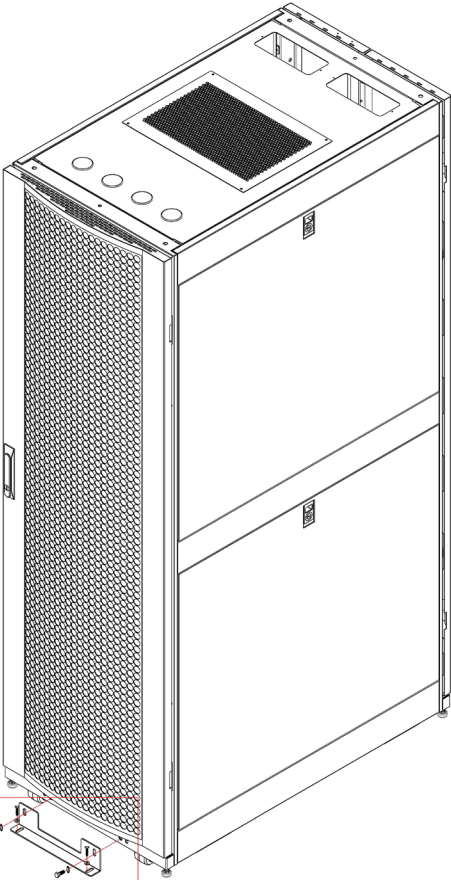
90° drop installation



Pulling pin installation (pre-installed)







c: M8\*(4)      e: M8\*(4)  
d: M8\*(4)      f: M8\*(4)

Keep this information for further reference.

- Thank you for purchasing an L-COM product.
- Please examine the product for any damaged parts. If any part is damaged or missing, contact L-COM for assistance. Do not attempt to install or use product if it has been damaged.
- Improper installation or use of this product could result in damage to the product, other equipment, or personal injury. L-COM cannot be held responsible for damage to equipment or personal injury resulting from improper use or installation of product. If product is intended to store/mount equipment, please ensure the equipment stored/mounted does not exceed the specified weight capacity.
- Limitations of Liability: In no event will L-COM, LLC. be liable for any damages, whether direct or indirect, special, punitive, incidental or consequential damages (including, but not limited to, lost profits or revenue, loss of use, lost business opportunities or loss of goodwill) or for the costs of procuring substitute products, arising out of or in connection with the use of the product, whether such liability arises from any claim based upon contract, warranty, tort (including negligence), product liability or otherwise, whether or not seller has been advised of the possibility of such loss or damage. In no event will the seller's total cumulative liability, from all causes of action and all theories of liability, exceed the total amounts actually paid to seller by customer under the order that gives rise to any liability hereunder.