

LIGHT SENSOR (4-20 mA OUTPUT)

User Guide for SRMS-D469-1



Product Description >>

The SRMS-D469-1 is a sensor that measures ambient light intensity. With a waterproof housing, the SRMS-D469-1 can be used outdoors, as well in demanding indoor environments such as factory floors. The SRMS-D469-1 has a 4 – 20 mA output and can measure illuminance up to 65,000 lux.

Features >>

- Monitors ambient light intensity
- 12 – 24 VDC supply
- Up to 65,000 Lux
- 4 – 20 mA output
- Wall mount waterproof housing

Applications >>

- Greenhouses
- Agriculture
- Solar farms
- Laboratories
- Factory floors
- Manufacturing
- General Environmental monitoring

Thank you for choosing L-com product. To ensure safe, accurate performance and product longevity, please take a moment to familiarize yourself with this manual before powering the device. Please keep it handy for future reference. In case of any questions regarding the installation or use of product, please call us at 800.341.5266.

Reach out to us at customerservice@l-com.com and visit our website at www.l-com.com

Technical Parameters >>

Working Voltage	12 – 24 VDC	
Output Mode	4 – 20 mA	
Measuring Range	0~65000 Lux	
Long-term Stability (Light Intensity)	±5% / y	
Maximum Allowed Error	±7%	
Work Environment	Temperature	0~60 °C
	Humidity	≤80% RH (No condensation)
Storage Environment	Temperature	-20~65 °C
	Humidity	0~100% RH (No condensation)

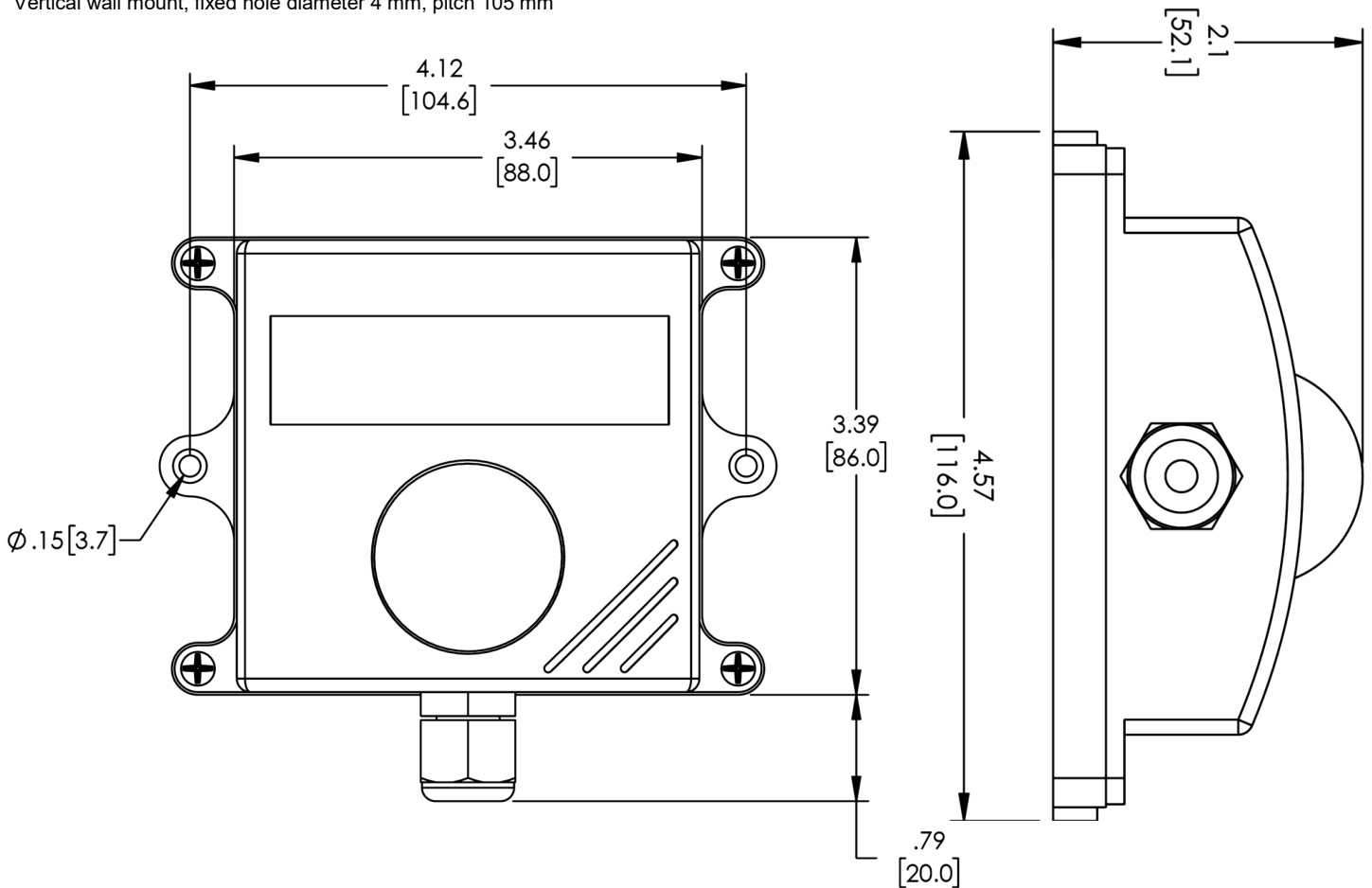
Electrical Diagram >>

No.	Wire Color	Definition	Function description
1	Brown	VCC	DC 12-24V Power supply
2	Blue	Vout -	Current output negative
3	Black	GND	Power supply negative
4	Yellow / Gray	Vout +	Current output positive



Mounting Diagram >>

Vertical wall mount, fixed hole diameter 4 mm, pitch 105 mm



Notes >>

1. Confirm the polarity and the voltage of the power supply before powering ON the sensor.
2. There are two colors for wire 4, ie. Yellow or gray.