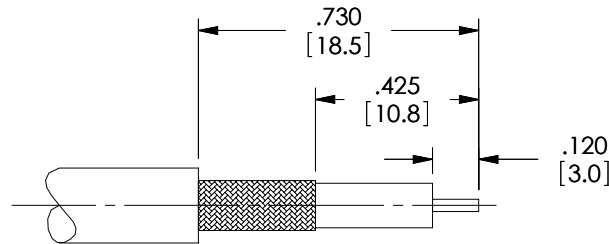
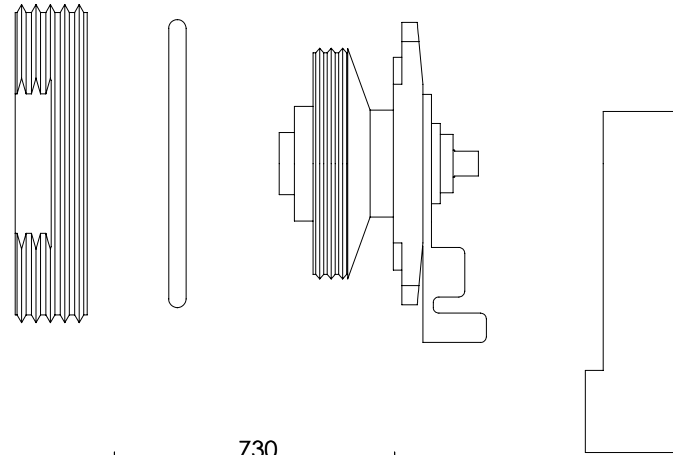
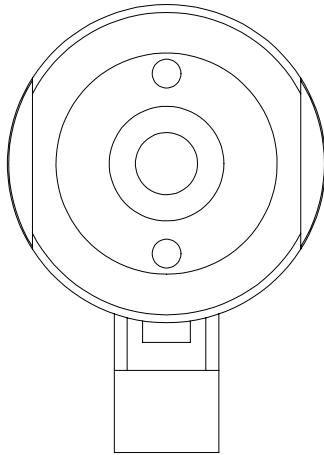


THE INFORMATION CONTAINED IN THIS DRAWING IS THE SOLE PROPERTY OF L-COM, INC. ANY REPRODUCTION IN PART OR WHOLE WITHOUT THE WRITTEN PERMISSION OF L-COM, INC. IS PROHIBITED.

REVISIONS			
REV	DESCRIPTION	DATE	APPROVED
A	INITIAL RELEASE	11/12/10	D.GRIFFIN
B	ECN 5597: ADDED CABLE STRIPPING DIMENSIONS DETAIL	07/11/11	DFP

DESCRIPTION	MATERIAL	FINISH
BODY	BRASS	---
CONTACT	BRASS	GOLD
INSULATOR	TFE	---
STRAIN RELIEF	ABS	---
GASKET	RUBBER	---



**B** CABLE STRIPPING DIMENSIONS

**NOTES:**

**MECHANICAL:**

PANEL HOLE SIZE:  $\phi$ .750 [19mm]  
 MAX PANEL THICKNESS: .157 [4mm]  
 MATING: NMO/TAD THREADED COUPLING  
 MATING TORQUE: 15 INCH POUNDS (170 N.cm) MAX.  
 CABLE ATTACHMENT: BRAID CRIMP  
 CENTER CONDUCTOR CABLE ATTACHMENT: SOLDER  
 CABLE RETENTION: 45 lbs. PULL

**ELECTRICAL:**

IMPEDANCE: 50 OHMS  
 FREQUENCY: DC ~ 3 GHz

**MISCELLANEOUS:**

SEE L-COM WEB SITE FOR INSTALLATION INSTRUCTIONS.  
 CONNECTOR TO BE INDIVIDUALLY PACKAGED IN ACCORDANCE WITH L-COM SPEC. PS-0031.

**RoHS Compliant** ✓

UNLESS OTHERWISE SPECIFIED, DIMENSIONS ARE IN INCHES [mm] OVERALL CABLE LENGTH TOLERANCE: ≤12 [305] = +1 [25] / -0 >12 [305] ≤60 [1524] = +2 [51] / -0 >60 [1524] ≤120 [3048] = +4 [102] / -0 >120 [3048] ≤300 [7620] = +6 [152] / -0 >300 [7620] = +3% / -0%	APPROVALS	DATE		45 BEECHWOOD DRIVE NORTH ANDOVER, MA 01845
	DRAWN BY D. CASTRO	11/12/10		
ALL OTHER DIMENSIONAL TOLERANCES: .X = ± .2 .XX = ± .02 .XXX = ±.005	CHECKED BY K. BURGNER	11/12/10	CATEGORY <b>COAXIAL</b>	
	APPROVED BY K. BURGNER	11/12/10	PRODUCT DESCRIPTION <b>CON,NMO Crimp 3/4" Hole</b>	
PROJECTION 	CONFIGURATION DETAILS OF UNDIMENSIONED FEATURES MAY VARY	COLOR VARIATIONS MAY OCCUR	SIZE <b>A</b>	FSCM NO. <b>43321</b>
			DWG. NO. <b>AAM1-1700</b>	REV. <b>B</b>
			SCALE: NONE	CAD FILE: AAM1-1700.SLDDRW
				SHEET 1 OF 1