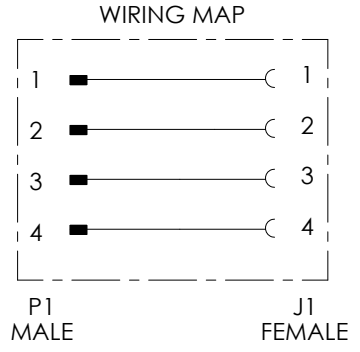
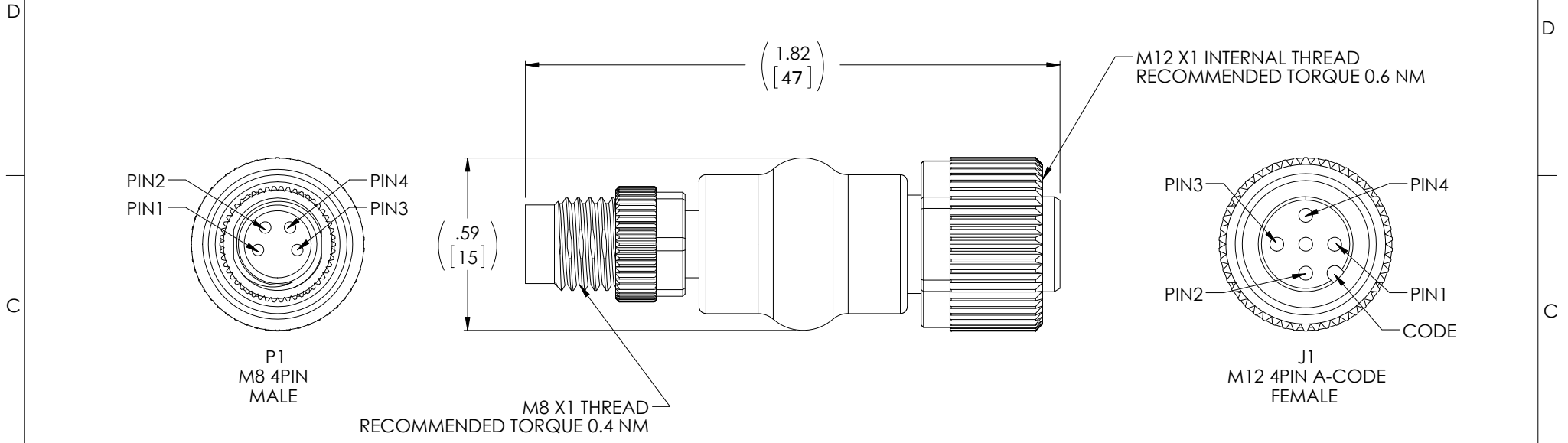


THE INFORMATION CONTAINED IN THIS DRAWING IS THE SOLE PROPERTY OF L-COM, INC. ANY REPRODUCTION IN PART OR WHOLE WITHOUT THE WRITTEN PERMISSION OF L-COM, INC. IS PROHIBITED.

| REVISIONS | | | |
|-----------|---------------------------------------|----------|----------|
| REV | DESCRIPTION | DATE | APPROVED |
| A | INITIAL RELEASE PER DUSTIN GUTTADAURO | 04/03/17 | J.LABOY |
| | | | |
| | | | |



NOTES:

MECHANICAL DATA

- HOUSING: M8 MALE, 4 POLE TO M12 FEMALE, 4 POLE
- MATERIAL: PUR, ZINC DIE CASTING, MATTE NICKEL PLATED
- PROTECTION: IP67 (WHEN MATED AND TIGHTENED, EN60529)
- TEMP RANGE: -25°C TO +85°C

MISCELLANEOUS

- NOMINAL VOLTAGE: MAX 24V AC/DC
- RATED CURRENT: MAX 4A PER CONTACT

REGULATORY COMPLIANCE:
CE 2011/65/EU (ROHS DIRECTIVE)

| | | | | | | |
|--|---|--|--|------------------------------------|-------------------------------------|------------------|
| UNLESS OTHERWISE SPECIFIED, DIMENSIONS ARE IN INCHES [mm] OVERALL CABLE LENGTH TOLERANCE: ≤12 [305] = +1 [25] / -0 >12 [305] ≤60 [1524] = +2 [51] / -0 >60 [1524] ≤120 [3048] = +4 [102] / -0 >120 [3048] ≤300 [7620] = +6 [152] / -0 >300 [7620] = +5% / -0% ALL OTHER DIMENSIONAL TOLERANCES: .X = ±.2 [5.08] .XX = ±.02 [5.1] .XXX = ±.005 [1.3] | APPROVALS DRAWN BY D.CUI CHECKED BY B.ZHANG APPROVED BY S.PAN | DATE 03/31/17 03/31/17 03/31/17 | 50 HIGH STREET NORTH ANDOVER, MA 01845 | | | |
| | CONFIGURATION DETAILS OF UNDIMENSIONED FEATURES MAY VARY | | | CATEGORY TELECOM/MODULAR | | |
| | PROJECTION | COLOR VARIATIONS MAY OCCUR | SIZE A | FSCM NO. 43321 | DWG. NO. ADPT-M84M-M124AF | REV. A |
| | SCALE: NONE | | CAD FILE: ADPT-M84M-M124AF.SLDDRW | | SHEET 1 OF 1 | |