

6

5

4

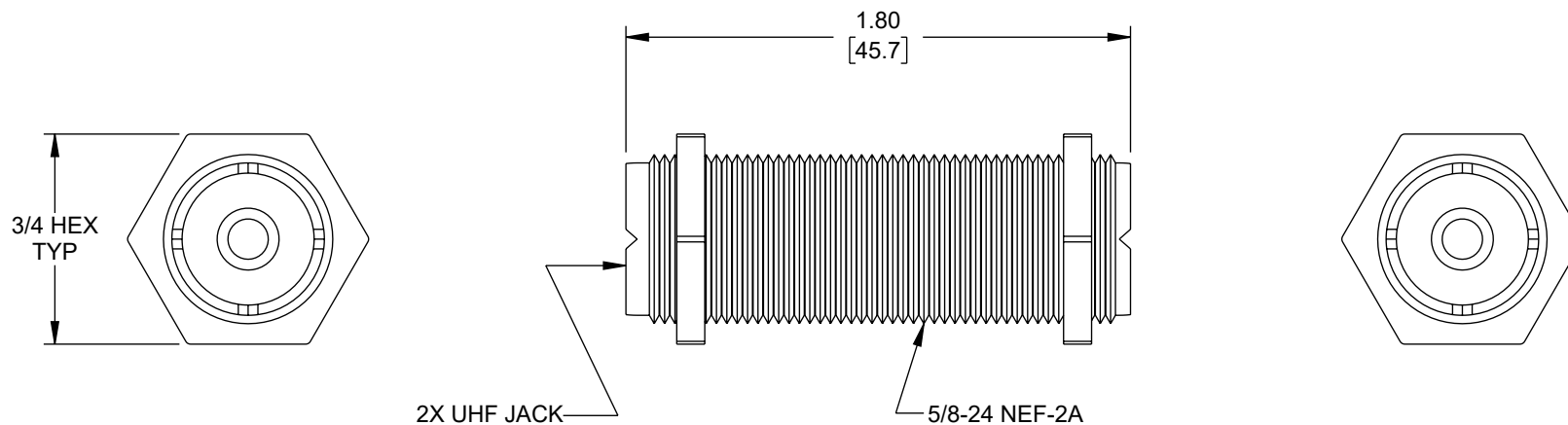
3

2

1

REVISION

ZONE	REV	DESCRIPTION	DATE	CHANGED BY	APPROVED
	C	ECO-13950	10/25/2024	KDANG	SRAUTUS



NOTES:

ELECTRICAL SPECIFICATIONS

- FREQUENCY RANGE: 0-300 MHz
- VSWR: 1.5 MAX
- CONTACT RESISTANCE: $\leq 5\text{m}\Omega$
- DIELECTRIC WITHSTANDING VOLTAGE: 2000 Vrms
- TEMPERATURE RANGE: -20°C TO 70°C .

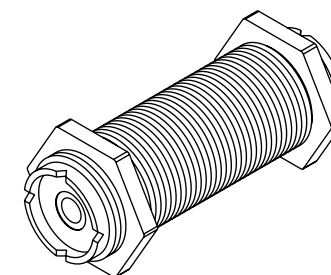
MATERIAL

- BODY: NICKEL PLATED BRASS
- INSULATOR: DELRIN

REGULATORY COMPLIANCE:

EU RoHS DIRECTIVE (MOST RECENT RELEASED VERSION)

THE INFORMATION CONTAINED IN THIS DRAWING IS THE SOLE PROPERTY OF INFINITE ELECTRONICS, INC. ANY REPRODUCTION IN PART OR WHOLE WITHOUT THE WRITTEN PERMISSION OF INFINITE ELECTRONICS, INC. IS PROHIBITED. THESE COMMODITIES, TECHNOLOGY OR SOFTWARE WERE EXPORTED FROM THE UNITED STATES IN ACCORDANCE WITH THE EXPORT ADMINISTRATION REGULATIONS. DIVERSION CONTRARY TO U.S. LAW PROHIBITED.



UNLESS OTHERWISE SPECIFIED
LEADING DIMENSIONS ARE INCHES
DIMENSIONS IN [] ARE MILLIMETERS

TOLERANCES:
 X = ± 0.2 [5] FRACTIONS
 .XX = ± 0.02 [0.5] $\pm 1/32$
 .XXX = ± 0.005 [0.13] ANGLES $\pm 1^{\circ}$

CABLE LENGTH TOLERANCES:
 ≤ 12 [305] = ± 1 [25] / -0
 >12 [305] ≤ 60 [1524] = ± 2 [51] / -0
 >60 [1524] ≤ 120 [3048] = ± 4 [102] / -0
 >120 [3048] ≤ 300 [7620] = ± 6 [152] / -0
 >300 [7620] = $\pm 5\%$ / -0

ALL DIMENSIONS ARE FOR REFERENCE ONLY
AND SUBJECT TO CHANGE WITHOUT NOTICE.
UN-DIMENSIONED/NON-CRITICAL FEATURES
MAY VARY IN SIZE AND LOCATION
COLORS MAY VARY

L-com[®]
an INFINIT[®] brand

Website: www.L-com.com
Phone: 1.800.341.5266 | 1.978.682.6936



INTERPRET ALL DIMENSIONS AND
TOLERANCES PER ASME Y14.5

SCALE	SHEET
NONE	1 OF 1

DESCRIPTION				
UHF JACK TO UHF JACK ADAPTOR				
SIZE	CAGE CODE	DRAWN BY	ITEM NO.	REV
A	43321	MCCORMICK	BA406Z	C

6

5

4

3

2

1