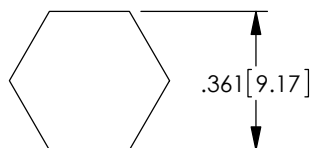
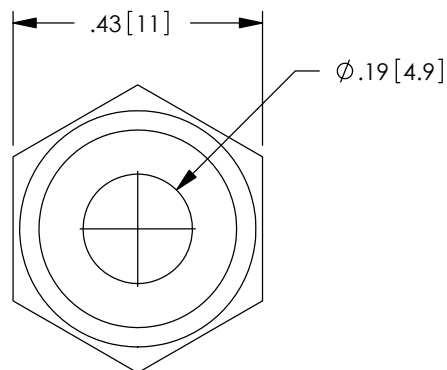
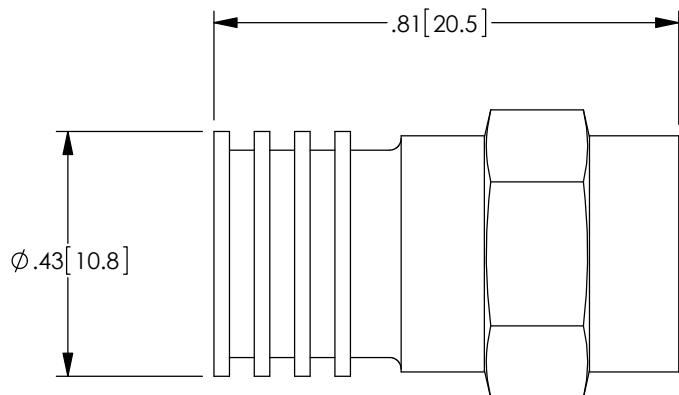


THE INFORMATION CONTAINED IN THIS DRAWING IS THE SOLE PROPERTY OF L-COM, INC. ANY REPRODUCTION IN PART OR WHOLE WITHOUT THE WRITTEN PERMISSION OF L-COM, INC. IS PROHIBITED.

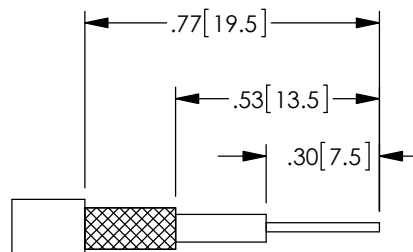
RoHS Compliant ✓

REVISIONS			
REV	DESCRIPTION	DATE	APPROVED
D	ECN 6750: REVISED CONNECTOR TO NEW VENDOR	3/22/13	D.FRISIELLO

DESCRIPTION	MATERIAL	FINISH
SHELL	BRASS	NICKEL PLATE
BODY	BRASS	NICKEL PLATE
O-RING	EPDM	--



RECOMMENDED
FERRULE
CRIMP SIZE



RECOMMENDED
CABLE STRIPPING
DIMENSIONS

NOTES:

1. BRAID SHIELD FROM 40% TO QUAD.
2. RECOMMENDED APPLICATION: RG6 & RG6QS COAXIAL CABLE.
3. IMPEDANCE: 75 OHM
4. O-RING BETWEEN CONNECTOR AND BODY PLUS SILICONE.
5. ALL DIMENSIONS ARE FOR REFERENCE ONLY.
6. COMPONENT SHALL BE INDIVIDUALLY PACKAGED IN ACCORDANCE WITH L-COM SPECIFICATION PS-0031.

UNLESS OTHERWISE SPECIFIED, DIMENSIONS ARE IN INCHES [mm] OVERALL CABLE LENGTH TOLERANCE: ≤12 [305] = +1 [25] / -0 >12 [305] ≤60 [1524] = +2 [51] / -0 >60 [1524] ≤120 [3048] = +4 [102] / -0 >120 [3048] ≤300 [7620] = +6 [152] / -0 >300 [7620] = +3% / -0%	APPROVALS	DATE		45 BEECHWOOD DRIVE NORTH ANDOVER, MA 01845
	DRAWN BY R.POLUBINSKI	09/17/07		
ALL OTHER DIMENSIONAL TOLERANCES: .X = ± .2 .XX = ± .02 .XXX = ± .005	CHECKED BY D.FRISIELLO	09/18/07	CATEGORY COAXIAL	
	APPROVED BY D.PARHAM	09/18/07	PRODUCT DESCRIPTION CONN SEALED F M RG6 CRIMP	
PROJECTION 	CONFIGURATION DETAILS OF UNDIMENSIONED FEATURES MAY VARY	COLOR VARIATIONS MAY OCCUR	SIZE A	FSCM NO. 43321
			DWG. NO. BAC529	REV. D
			SCALE: NONE	CAD FILE: BAC529.SLDDRW
				SHEET 1 OF 1