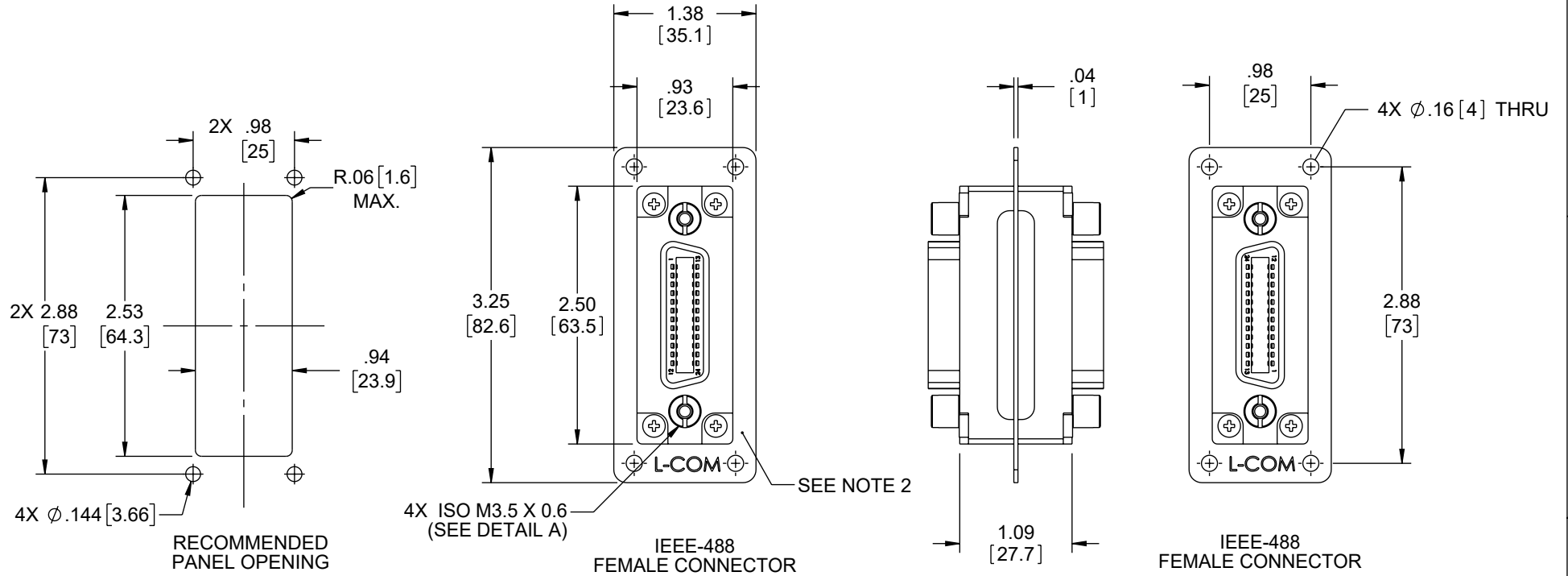


THE INFORMATION CONTAINED IN THIS DRAWING IS THE SOLE PROPERTY OF L-COM, INC. ANY REPRODUCTION IN PART OR WHOLE WITHOUT THE WRITTEN PERMISSION OF L-COM, INC. IS PROHIBITED.

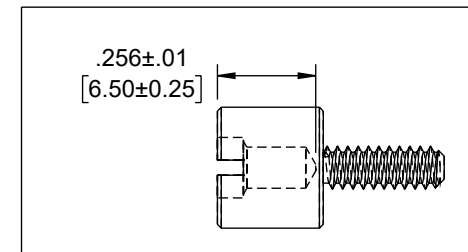
REVISION					
ZONE	REV	DESCRIPTION	DATE	CHANGED BY	APPROVED
	B	UPDATED AS PER ECO-12694	09/21/2023	PSRINIVAS	DGUST




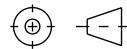
NOTES:-

- MATERIAL: HOUSING; ZINC ALLOY. INSULATOR; GLASS FILLED PBT (BLUE) U.L. 94V-0 FLAMMABILITY RATING. CONTACTS: COPPER ALLOY; SCREW / SCREW LOCKS: STEEL.
- MOUNTING FLANGE: FIBER GLASS FILLED THERMOSETTING RESIN.
- FINISH: HOUSING; NICKEL PLATED. CONTACTS; 3 MICRO INCHES SELECTIVE GOLD PLATE; SCREW: NICKEL PLATED; SCREW LOCKS: BLACK OXIDE.
- WIRING: STRAIGHT THRU.
- TWO DUST CAPS PROVIDED WITH ADAPTOR. (NOT SHOWN)
- ALL DIMENSIONS ARE FOR REFERENCE ONLY
- COMPONENT SHALL BE INDIVIDUALLY PACKAGED IN ACCORDANCE WITH L-COM SPECIFICATION PS-0031.

REGULATORY COMPLIANCE:
EU RoHS DIRECTIVE (MOST RECENT RELEASED VERSION)



DETAIL A: INTERNAL THREAD DEPTH

UNLESS OTHERWISE SPECIFIED, DIMENSIONS ARE IN INCHES [mm]	APPROVALS	DATE	 50 High Street, West Mill, North Andover, MA 01845 USA. Phone: 1.800.341.5266 1.978.682.6936	
	DRAWN BY RCARRICK	08/17/2001		
OVERALL CABLE LENGTH TOLERANCE: ≤12 [305] = +1 [25] / -0 >12 [305] ≤60 [1524] = +2 [51] / -0 >60 [1524] ≤120 [3048] = +4 [102] / -0 >120 [3048] ≤300 [7620] = +6 [152] / -0 >300 [7620] = +5% / -0	CHECKED BY DPARHAM	08/27/2001	CATEGORY	
ALL OTHER DIMENSIONAL TOLERANCES: .X = ± .2 [5] FRACTIONS ± 1/32 .XX = ± .02 [5] ANGLES ± 1° .XXX = ± .005 [13]	APPROVED BY CMCCORMICK	08/27/2001	IEEE-488 GPIB ADAPTOR	
THIRD-ANGLE PROJECTION	CONFIGURATION DETAILS OF UNDIMENSIONED FEATURES MAY VARY	PRODUCT DESCRIPTION		
	COLOR VARIATIONS MAY OCCUR	SIZE A	CAGE CODE 43321	ITEM NO. CIB24BFR-I
		SCALE: NONE	CAD FILE: CIB24BFR-I.SLDDRW	REV. B
				SHEET 1 OF 1