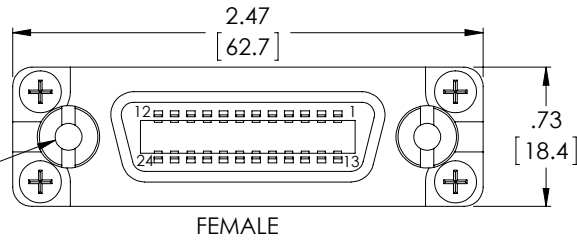


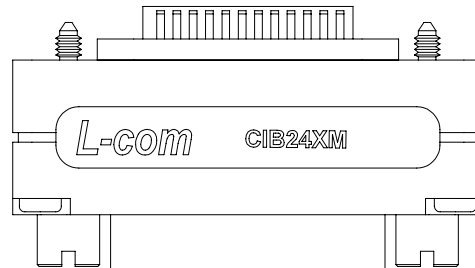
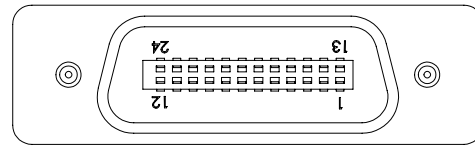
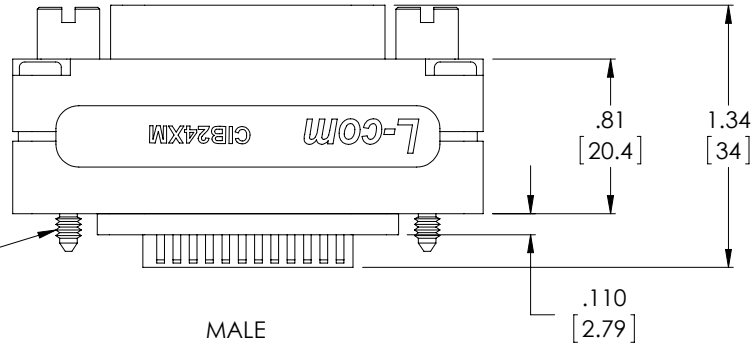
THE INFORMATION CONTAINED IN THIS DRAWING IS THE SOLE PROPERTY OF L-COM, INC. ANY REPRODUCTION IN PART OR WHOLE WITHOUT THE WRITTEN PERMISSION OF L-COM, INC. IS PROHIBITED.

REVISIONS			
REV	DESCRIPTION	DATE	APPROVED
A	REPLACES CIB24XM-OD1	7/14/14	D. CASTRO

2X ISO M3.5 X 0.6 TAPPED HOLE



2X ISO M3.5 X 0.6 THREAD



NOTES:

- CONNECTOR: 24-POSITION MALE-FEMALE FLAT RIBBON (.085" PITCH). GUARD OF MALE CONNECTOR IS SHORTENED TO PERMIT PROPER MATING WHEN PANEL INTERFERES WITH CONNECTION TO REAR-MOUNTED RECEPTACLE.
- MATERIAL: HOUSING: CAST ALUMINUM. INSULATOR: GLASS FILLED PBT (BLUE)
- FINISH: HOUSING, NICKEL PLATED: CONTACTS, 30 MICRO INCHES GOLD PLATE.
- WIRING: STRAIGHT THROUGH.
- TWO DUST CAPS PROVIDED WITH ADAPTOR.
- ADAPTOR SHALL BE INDIVIDUALLY PACKAGED IN ACCORDANCE WITH L-COM SPECIFICATION PS-0031.

REGULATORY COMPLIANCE:
CE2011/65/EU(RoHS DIRECTIVE)

UNLESS OTHERWISE SPECIFIED, DIMENSIONS ARE IN INCHES [mm] OVERALL CABLE LENGTH TOLERANCE: ≤12 [305] = +1 [25] / -0 >12 [305] ≤60 [1524] = +2 [51] / -0 >60 [1524] ≤120 [3048] = +4 [102] / -0 >120 [3048] ≤300 [7620] = +6 [152] / -0 >300 [7620] = +5% / -0%	APPROVALS	DATE		45 BEECHWOOD DRIVE NORTH ANDOVER, MA 01845
	DRAWN BY RON CARRICK	8/27/2001		
ALL OTHER DIMENSIONAL TOLERANCES: .X = ± .2 [5.08] .XX = ± .02 [1.51] .XXX = ±.005 [1.13]	CHECKED BY DOUG PARHAM	8/27/2001	CATEGORY	
	APPROVED BY C. MCCORMICK	8/27/2001	IEEE-488	
PROJECTION	CONFIGURATION DETAILS OF UNDIMENSIONED FEATURES MAY VARY		PRODUCT DESCRIPTION	
	COLOR VARIATIONS MAY OCCUR		GPIB MODIFIED SLIMLINE EXTENDER	
	SIZE A	FSCM NO. 43321	DWG. NO. CIB24XM	REV. A
	SCALE: NONE		CAD FILE: CIB24XM.SLDDRW	SHEET 1 OF 1