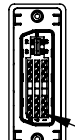


THE INFORMATION CONTAINED IN THIS DRAWING IS THE SOLE PROPERTY OF L-COM, INC. ANY REPRODUCTION IN PART OR WHOLE WITHOUT THE WRITTEN PERMISSION OF L-COM, INC. IS PROHIBITED.

REVISIONS			
REV	DESCRIPTION	DATE	APPROVED
G	ECN 6985: UPD CONNECTOR AND OVERMOLD DESCRIP. UPD ROHS NOTE	8/1/13	D_DESJARDIN
H	ECN8182: UPDT DWG FROM MOLD THUMBSCREW TO METAL THUMBSCREW	11/28/2015	B_ZHANG

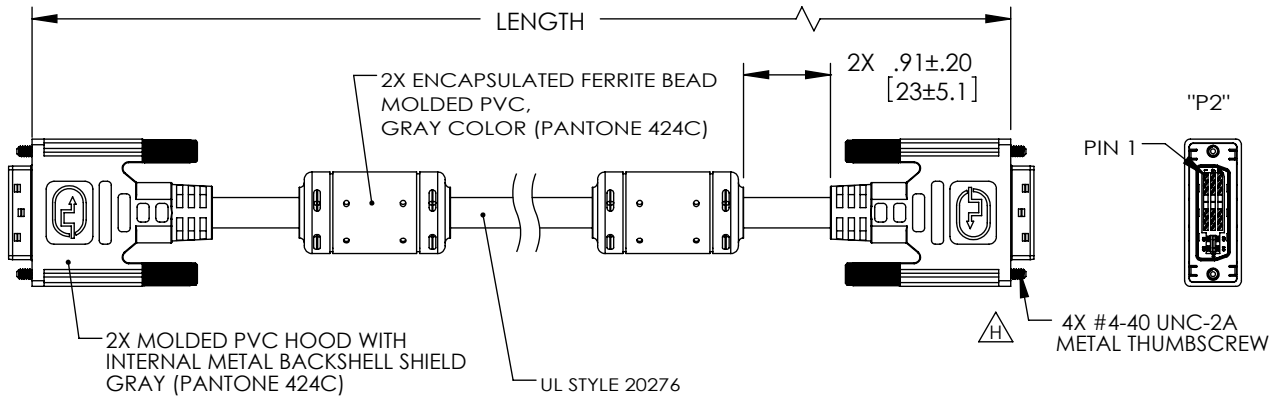
P/N	LENGTH	
	FEET	METERS
CTLDVI-ISL-MM-3	3.0	.92
CTLDVI-ISL-MM-5	5.0	1.52
CTLDVI-ISL-MM-10	10.0	3.05
CTLDVI-ISL-MM-15	15.0	4.57

"P1"

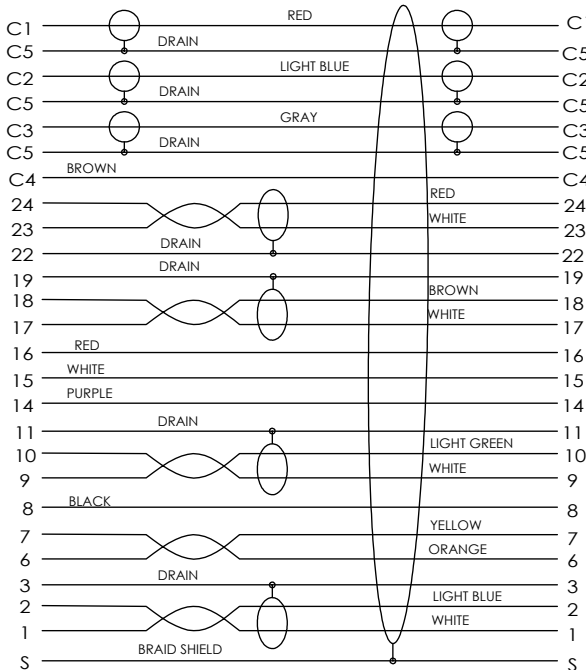


PIN 1

2X MALE DVI-I SINGLE LINK CONNECTOR
30µ" GOLD PLATED CONTACTS



"P1" WIRING MAP "P2"



- NOTES:**
- CABLE ASSEMBLY SHALL BE TESTED FOR CONTINUITY.
 - CABLE ASSEMBLY SHALL BE INDIVIDUALLY PACKAGED IN ACCORDANCE WITH L-COM SPECIFICATION PS-0031.
 - DUST COVERS INSTALLED FOR SHIPPING (NOT SHOWN).

REGULATORY COMPLIANCE:
CE2011/65/EU(RoHS DIRECTIVE)

UNLESS OTHERWISE SPECIFIED, DIMENSIONS ARE IN INCHES [mm] OVERALL CABLE LENGTH TOLERANCE: ≤12 [305] = +1 [25] / -0 >12 [305] ≤60 [1524] = +2 [51] / -0 >60 [1524] ≤120 [3048] = +4 [102] / -0 >120 [3048] ≤300 [7620] = +6 [152] / -0 >300 [7620] = +3% / -0%	APPROVALS	DATE		45 BEECHWOOD DRIVE NORTH ANDOVER, MA 01845
	DRAWN BY BILL ZHANG	10/15/08		
ALL OTHER DIMENSIONAL TOLERANCES: .X = ± .2 [5.08] .XX = ± .02 [1.51] .XXX = ± .005 [1.3]	CHECKED BY FRANK MAO	10/15/08	CATEGORY AUDIO/VIDEO	
	APPROVED BY THOMAS LU	10/15/08	PRODUCT DESCRIPTION DVI CBL DVI-I M/M SNGL LNK	
PROJECTION	CONFIGURATION DETAILS OF UNDIMENSIONED FEATURES MAY VARY		SIZE A	FSCM NO. 43321
	COLOR VARIATIONS MAY OCCUR		DWG. NO. CTLDVI-ISL-MM	REV. H
	SCALE: NONE		CAD FILE: CTLDVI-ISL-MM.SLDDRW	
			SHEET 1 OF 1	