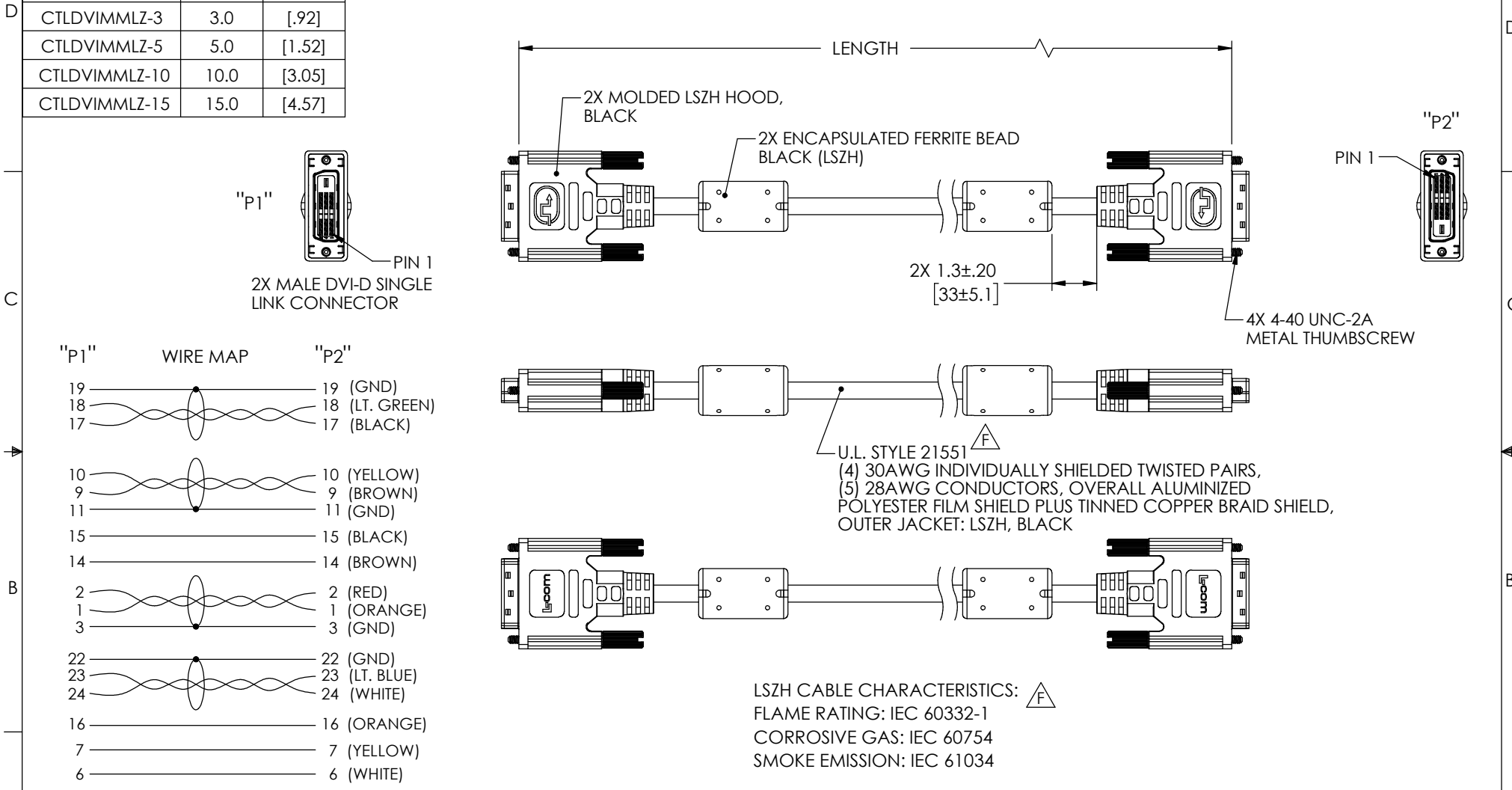


THE INFORMATION CONTAINED IN THIS DRAWING IS THE SOLE PROPERTY OF L-COM, INC. ANY REPRODUCTION IN PART OR WHOLE WITHOUT THE WRITTEN PERMISSION OF L-COM, INC. IS PROHIBITED.

MODEL NUMBER	LENGTH	
	FEET	METERS
CTLDVIMMLZ-3	3.0	[.92]
CTLDVIMMLZ-5	5.0	[1.52]
CTLDVIMMLZ-10	10.0	[3.05]
CTLDVIMMLZ-15	15.0	[4.57]

REVISIONS			
REV	DESCRIPTION	DATE	APPROVED
E	ECN8182; UPDT DWG FROM MOLDED THUMBSCREW TO METAL THUMBSCREW	11/28/2015	BZHANG
F	ECN 10829; REVISE UL STYLE TO 21551, ADD LSZH CBL CHARACTERISTICS TO DWG, NEW FORMAT	12/10/2020	M.BLACKWOOD



LSZH CABLE CHARACTERISTICS: $\triangle F$
 FLAME RATING: IEC 60332-1
 CORROSIVE GAS: IEC 60754
 SMOKE EMISSION: IEC 61034

- NOTES:**
1. CABLE ASSEMBLIES SHALL BE TESTED FOR CONTINUITY.
 2. CABLE ASSEMBLIES SHALL BE INDIVIDUALLY PACKAGED PER L-COM SPECIFICATION PS-0031.
 3. DUST COVERS INSTALLED FOR SHIPPING (NOT SHOWN).

UNLESS OTHERWISE SPECIFIED, DIMENSIONS ARE IN INCHES [mm] OVERALL CABLE LENGTH TOLERANCE: ≤12 [305] = +1 [25] / -0 >12 [305] ≤60 [1524] = +2 [51] / -0 >60 [1524] ≤120 [3048] = +4 [102] / -0 >120 [3048] ≤300 [7620] = +6 [152] / -0 >300 [7620] = +5% / -0 ALL OTHER DIMENSIONAL TOLERANCES: .X = ± .2 [5] FRACTIONS ± 1/32 .XX = ± .02 [5] ± 1/32 .XXX = ± .005 [13] ANGLES ± 1° THIRD-ANGLE PROJECTION	APPROVALS DRAWN BY CHECKED BY APPROVED BY	DATE 02/11/2010 02/12/2010 02/12/2010	an INFINITI® brand 50 High Street, West Mill, North Andover, MA 01845 USA. Phone: 1.800.341.5266 1.978.682.6936		
	CATEGORY AUDIO/VIDEO			PRODUCT DESCRIPTION CBL, DVI-D M/DVI-D M W/FERR	
	CONFIGURATION DETAILS OF UNDIMENSIONED FEATURES MAY VARY COLOR VARIATIONS MAY OCCUR	SIZE A	CAGE CODE 43321		DWG. NO. CTLDVIMMLZ
	SCALE: NONE		CAD FILE: CTLDVIMMLZ.SLDDRW		SHEET 1 OF 1