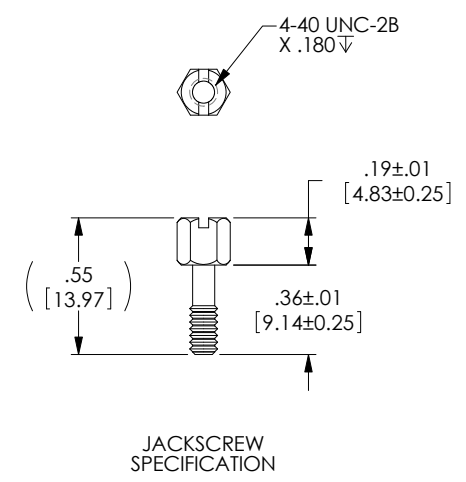
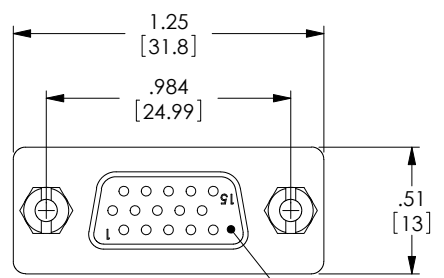
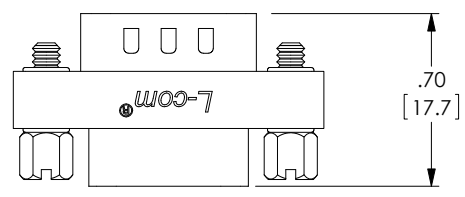
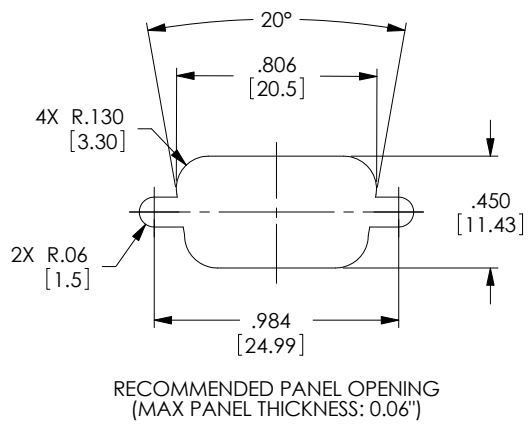


THE INFORMATION CONTAINED IN THIS DRAWING IS THE SOLE PROPERTY OF L-COM, INC. ANY REPRODUCTIONS IN PART OR WHOLE WITHOUT THE WRITTEN PERMISSION OF L-COM, INC. IS PROHIBITED.

REVISIONS			
REV	DESCRIPTION	DATE	CHANGED BY
A	DRAWING REPLACES DGBV15MF-OD1	9/22/14	D.FRISIELLO



NOTES:

MATERIAL:
SHELL: STEEL
CONTACTS: COPPER ALLOY
HARDWARE: BRASS
INSULATOR: PBT FIBER REINFORCED (UL94V-0 RATED)

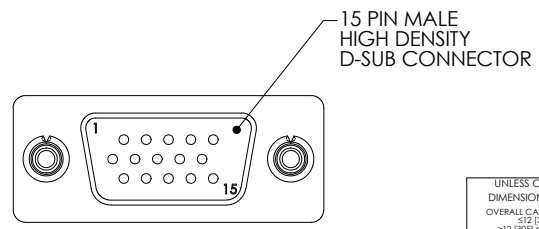
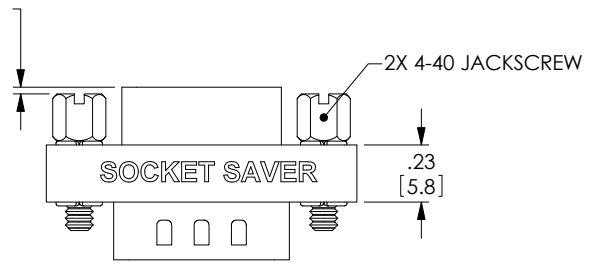
FINISH:
SHELL: TIN/NICKEL PLATED
CONTACTS: GOLD FLASH PLATED
HARDWARE: NICKEL PLATED

ELECTRICAL:
CURRENT RATING: 3 AMP

MISCELLANEOUS:
OPERATING TEMPERATURE RANGE: -55°C TO +105°C.
PIN 9 IS OMITTED.
ALL OTHER PINS ARE WIRED STRAIGHT THROUGH.
COMPONENT SHALL BE TESTED FOR CONTINUITY.
ALL DIMENSIONS ARE FOR REFERENCE ONLY.

LABELING:
PANTONE 2945 BLUE, "L-COM" FONT MyriadMM ITALIC.
"GENDER CHANGER" FONT ARIAL BOLD, TEXT HEIGHTS: .085"
TEXT COLOR: WHITE.

2X .03^{+0.00}_{-.03}
0
[0.69 -0.762]



PACKAGING:
COMPONENT SHALL BE INDIVIDUALLY PACKAGED IN ACCORDANCE WITH L-COM SPECIFICATION PS-0031.

REGULATORY COMPLIANCE:
CE2011/65/EU (RoHS DIRECTIVE)

UNLESS OTHERWISE SPECIFIED, DIMENSIONS ARE IN INCHES (mm)
OVERALL CABLE LENGTH TOLERANCE:
≤12 [305] ≤60 [1524] = +.25 [6.35] / -0
>60 [1524] ≤120 [3048] = +.4 [10.16] / -0
>120 [3048] ≤300 [7620] = +.6 [15.24] / -0
>300 [7620] = +.75 [19.05] / -0
ALL OTHER DIMENSIONAL TOLERANCES:
X = ±2 [5.08]
XX = ±0.2 [5.1]
XXX = ±.005 [1.3]

APPROVALS	DATE
DRAWN BY D.FAIRBANK	11/12/2001
CHECKED BY T.CLARK	11/12/2001
APPROVED BY R.CARRICK	11/13/2001



CATEGORY D-SUBMINIATURE			
PRODUCT DESCRIPTION ADPT, VGA SKT SAVER HD15M/F			
SIZE B	FSCM NO. 43321	DWG. NO. DGBV15MF	REV. A
SCALE: 2:1		CAD FILE: DGBV15MFLDDRW	
			SHEET 1 OF 1

