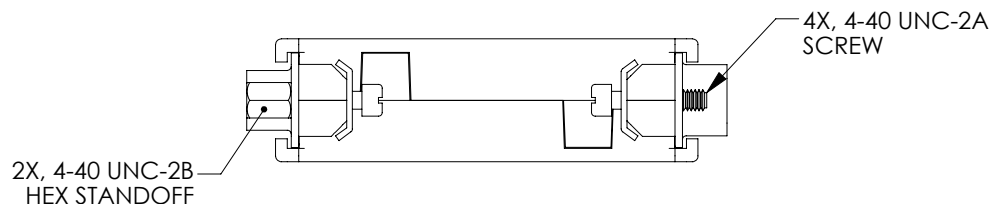
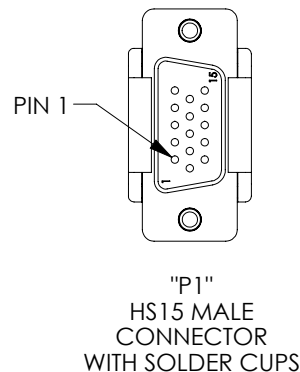
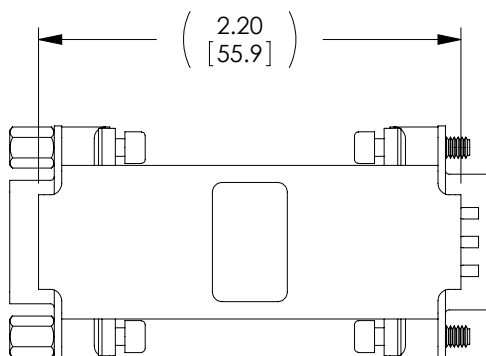
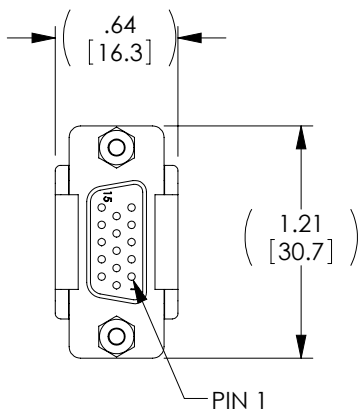


THE INFORMATION CONTAINED IN THIS DRAWING IS THE SOLE PROPERTY OF L-COM, INC. ANY REPRODUCTION IN PART OR WHOLE WITHOUT THE WRITTEN PERMISSION OF L-COM, INC. IS PROHIBITED.

REVISIONS			
REV	DESCRIPTION	DATE	APPROVED
A	INITIAL RELEASE	8/17/11	D.GRIFFIN



NOTES:

- ENCLOSURE IS METALIZED CONDUCTIVE CHROME PLATED INSIDE AND OUTSIDE.
- COVER HALVES SNAP TOGETHER TO RETAIN CONNECTORS AND CAPTIVE HARDWARE.
- COMPONENT ASSEMBLY SHALL BE INDIVIDUALLY PACKAGED IN ACCORDANCE WITH L-COM SPECIFICATION PS-0031.
- ALL DIMENSIONS ARE FOR REFERENCE ONLY.
- COMPONENT ASSEMBLY IS SHIPPED UN-ASSEMBLED.
- JUMPER WIRES ARE SUPPLIED SEPARATELY.

RoHS Compliant ✓

UNLESS OTHERWISE SPECIFIED, DIMENSIONS ARE IN INCHES [mm] OVERALL CABLE LENGTH TOLERANCE: ≤12 [305] = +1 [25] / -0 >12 [305] ≤60 [1524] = +2 [51] / -0 >60 [1524] ≤120 [3048] = +4 [102] / -0 >120 [3048] ≤300 [7620] = +6 [152] / -0 >300 [7620] = +3% / -0% ALL OTHER DIMENSIONAL TOLERANCES: .X = ±.2 .XX = ±.02 .XXX = ±.005	APPROVALS DRAWN BY D. CASTRO CHECKED BY D. PARHAM APPROVED BY S. SMITH	DATE 8/17/11 8/17/11 8/17/11	45 BEECHWOOD DRIVE NORTH ANDOVER, MA 01845		
	CONFIGURATION DETAILS OF UNDIMENSIONED FEATURES MAY VARY	CATEGORY DATA		PRODUCT DESCRIPTION ADPT, KIT UNWIRED HDB15M/F SHD	
PROJECTION 	COLOR VARIATIONS MAY OCCUR	SIZE A	FSCM NO. 43321	DWG. NO. DIYHD15CMF	REV. A
SCALE: NONE		CAD FILE: DIYHD15CMF.SLDDRW		SHEET 1 OF 1	