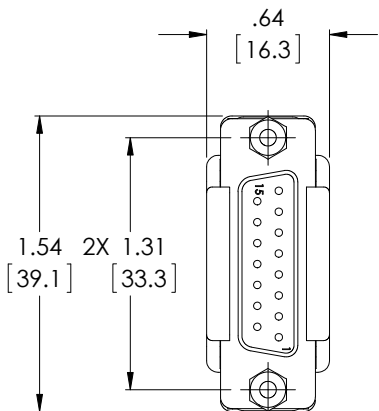
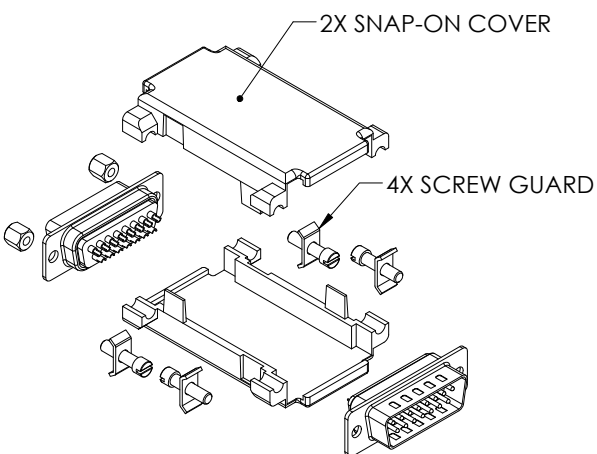
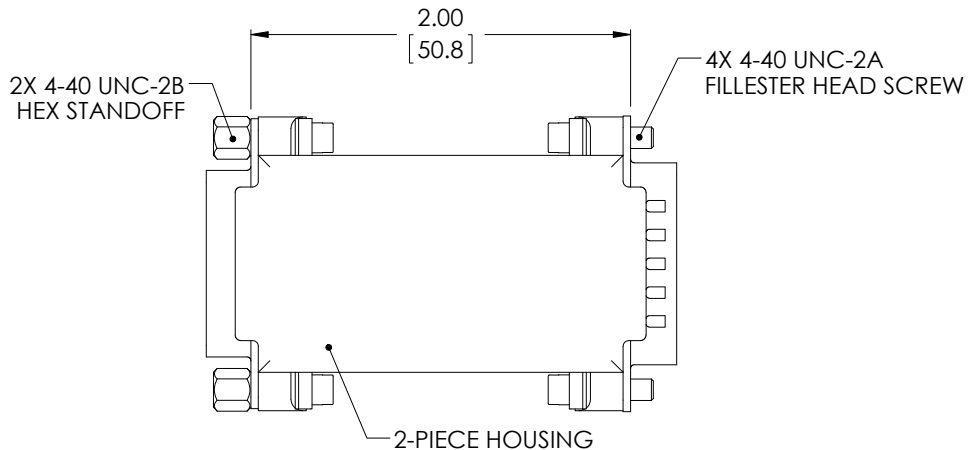


THE INFORMATION CONTAINED IN THIS DRAWING IS THE SOLE PROPERTY OF L-COM, INC. ANY REPRODUCTION IN PART OR WHOLE WITHOUT THE WRITTEN PERMISSION OF L-COM, INC. IS PROHIBITED.

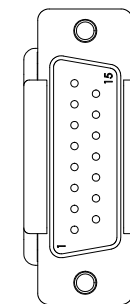
REVISIONS			
REV	DESCRIPTION	DATE	APPROVED
A	DRAWING REPLACES DIY15MF-OD1	9/25/14	D. DESJARDIN



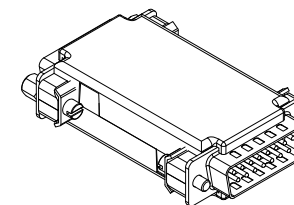
"J1"  
15 PIN FEMALE  
D-SUB CONNECTOR



EXPLODED VIEW



"P1"  
15 PIN MALE  
D-SUB CONNECTOR



ASSEMBLED VIEW

**MATERIAL:**  
HOUSING: ABS, GRAY  
SHELL: COLD ROLLED STEEL  
CONTACTS: COPPER ALLOY  
INSULATOR: PBT W/ GLASS FIBER FILLED, UL 94V-0 RATED

**FINISH:**  
SHELL: TIN PLATED  
MATING CONTACTS: GOLD FLASH  
SOLDER CUPS: TIN-LEAD PLATED

**ELECTRICAL:**  
CURRENT RATING: 5 AMP  
DIELECTRIC WITHSTANDING VOLTAGE: 1000 VAC rms  
INSULATION RESISTANCE: 5000 MΩ @ 500 VDC  
CONTACT RESISTANCE: 10mΩ MAX

**MISCELLANEOUS:**  
ADAPTER IS NOT SUPPLIED WITH JUMPERS.  
CONNECTORS ARE SOLDER CUP STYLE.  
COMPONENTS SHALL BE LOOSELY PACKAGED IN ACCORDANCE WITH L-COM SPECIFICATION PS-0031.

**REGULATORY COMPLIANCE:**  
CE2011/65/EU(RoHS DIRECTIVE)

UNLESS OTHERWISE SPECIFIED, DIMENSIONS ARE IN INCHES [mm] OVERALL CABLE LENGTH TOLERANCE: ≤12 [305] = +1 [25] / -0 >12 [305] ≤60 [1524] = +2 [51] / -0 >60 [1524] ≤120 [3048] = +4 [102] / -0 >120 [3048] ≤300 [7620] = +6 [152] / -0 >300 [7620] = +5% / -0% ALL OTHER DIMENSIONAL TOLERANCES: .X = ±.2 [5.08] .XX = ±.02 [5.1] .XXX = ±.005 [1.3]	APPROVALS DRAWN BY D. PARHAM CHECKED BY M. LAHEY APPROVED BY C. McCORMICK	DATE 11/24/2004 12/2/2004 12/2/2004		45 BEECHWOOD DRIVE NORTH ANDOVER, MA 01845	
	CONFIGURATION DETAILS OF UNDIMENSIONED FEATURES MAY VARY		CATEGORY D-SUBMINIATURE	PRODUCT DESCRIPTION DB15 M/F DATA LINE ADAPTOR	
	PROJECTION 	COLOR VARIATIONS MAY OCCUR DIY15MF-OD1	SIZE <b>A</b>	FSCM NO. <b>43321</b>	DWG. NO. DIY15MF
	SCALE: NONE		CAD FILE: DIY15MF.SLDDRW	SHEET 1 OF 1	