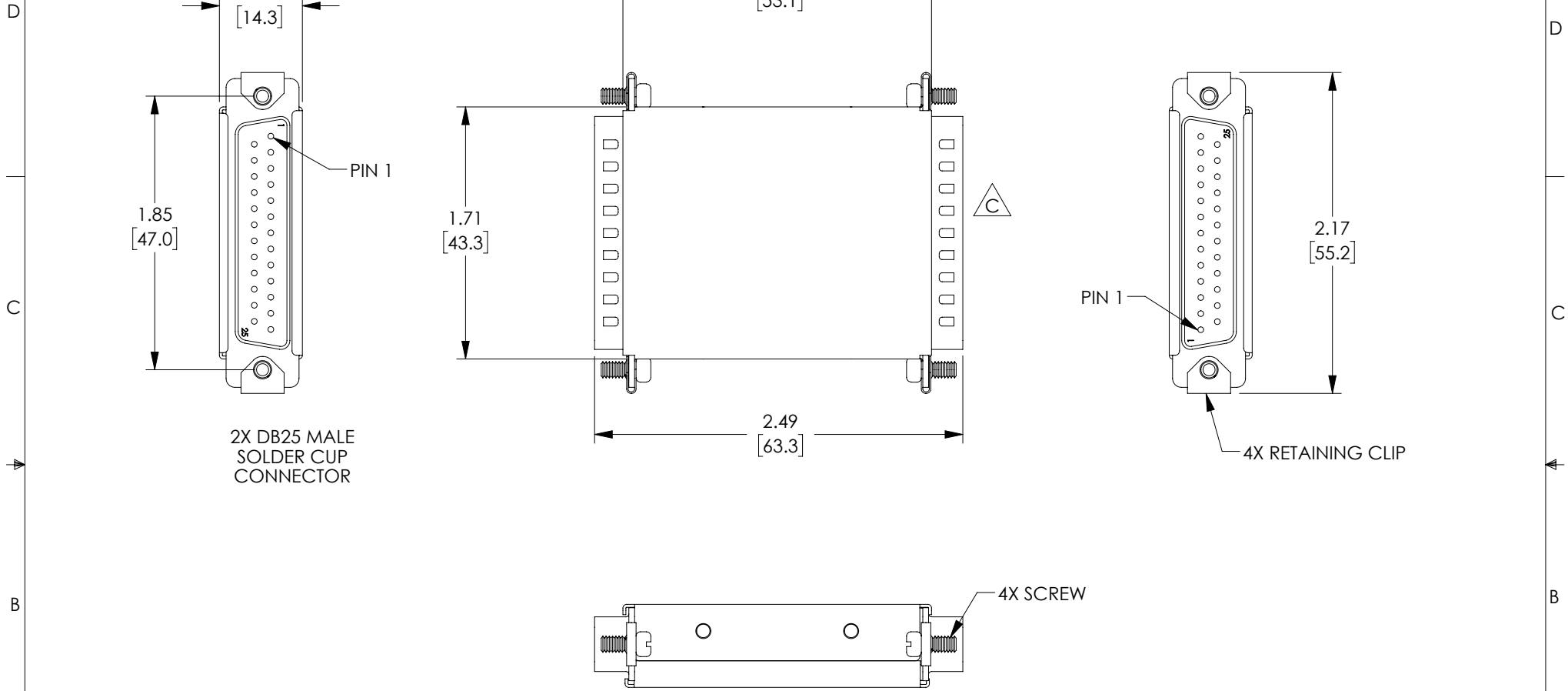



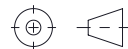
THE INFORMATION CONTAINED IN THIS DRAWING IS THE SOLE PROPERTY OF L-COM, INC. ANY REPRODUCTION IN PART OR WHOLE WITHOUT THE WRITTEN PERMISSION OF L-COM, INC. IS PROHIBITED.

REVISIONS			
REV	DESCRIPTION	DATE	APPROVED
A	INITIAL RELEASE	05/25/2017	DFRISIELLO
B	ECN 10590: REVISED 3D MODEL AND DRAWING	08/14/2020	BGATES
C	ECN 10775: REMOVE ALL LABELS	11/13/2020	BGATES



NOTES:

1. MATERIAL: COLD ROLLED STEEL 0.024" THK
2. FINISH: BRIGHT CHROME PLATE
3. ALL DIMENSIONS ARE FOR REFERENCE ONLY.
4. KIT IS SUPPLIED UN-ASSEMBLED.
5. INTERCONNECTING WIRES NOT INCLUDED.
6. COVER KIT IS INDIVIDUALLY PACKAGED IN ACCORDANCE WITH L-COM SPECIFICATION PS-0031.

UNLESS OTHERWISE SPECIFIED, DIMENSIONS ARE IN INCHES [mm] OVERALL CABLE LENGTH TOLERANCE: ≤12 [305] = +1 [25] / -0 >12 [305] ≤60 [1524] = +2 [51] / -0 >60 [1524] ≤120 [3048] = +4 [102] / -0 >120 [3048] ≤300 [7620] = +6 [152] / -0 >300 [7620] = +5% / -0 ALL OTHER DIMENSIONAL TOLERANCES: .X = ± .2 [5] FRACTIONS ± 1/32 .XX = ± .02 [.5] ANGLES ± 1° .XXX = ± .005 [.13]	APPROVALS	DATE	 50 High Street, West Mill, North Andover, MA 01845 USA. Phone: 1.800.341.5266 1.978.682.6936
	DRAWN BY DFRISIELLO CHECKED BY CBRAN APPROVED BY S.SMITH	10/05/2011 10/05/2011 10/05/2011	
THIRD-ANGLE PROJECTION 	CONFIGURATION DETAILS OF UNDIMENSIONED FEATURES MAY VARY COLOR VARIATIONS MAY OCCUR	PRODUCT DESCRIPTION ADAPTER, EIA232 KIT DB25 M/M	SIZE A
SCALE: NONE		CAGE CODE 43321	ITEM NO. DIYS-M
CAD FILE: DIYS-M.SLDDRW			REV. C