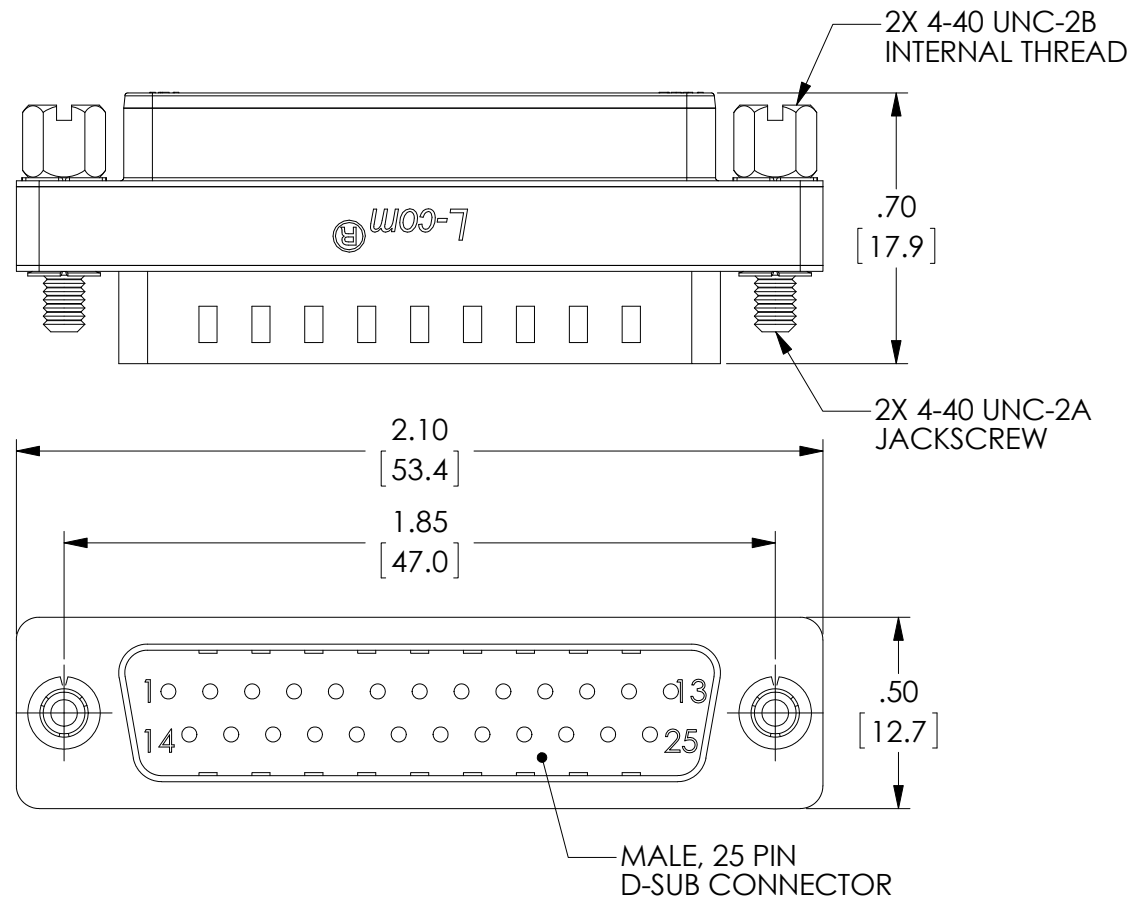
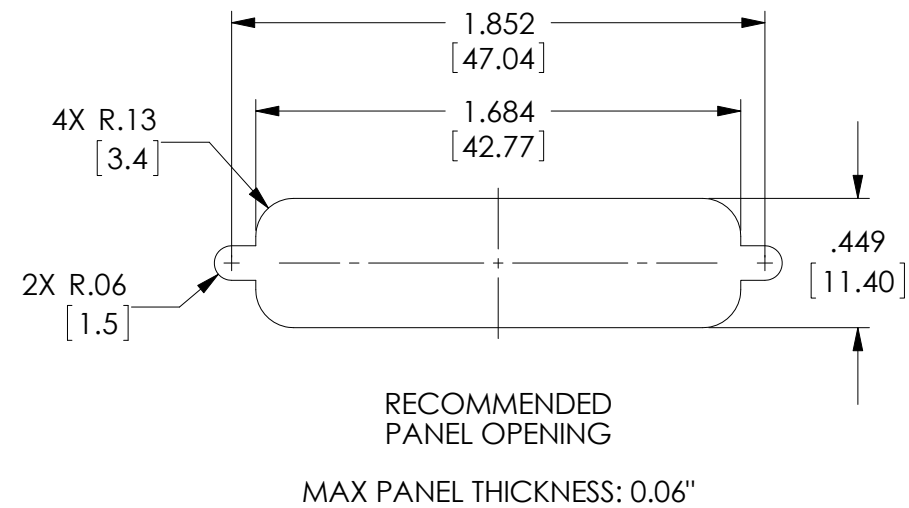
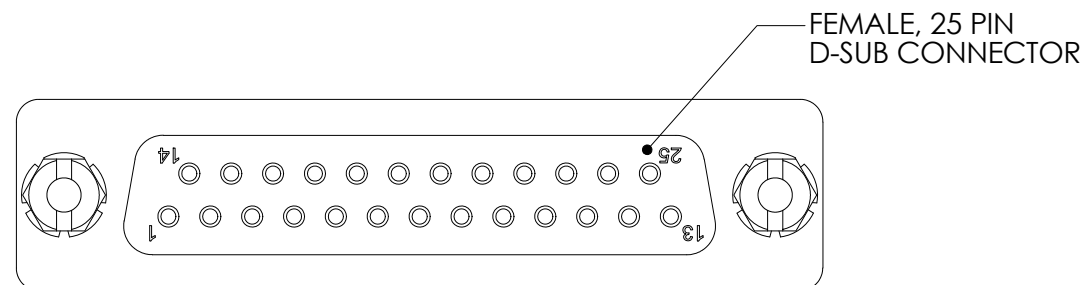
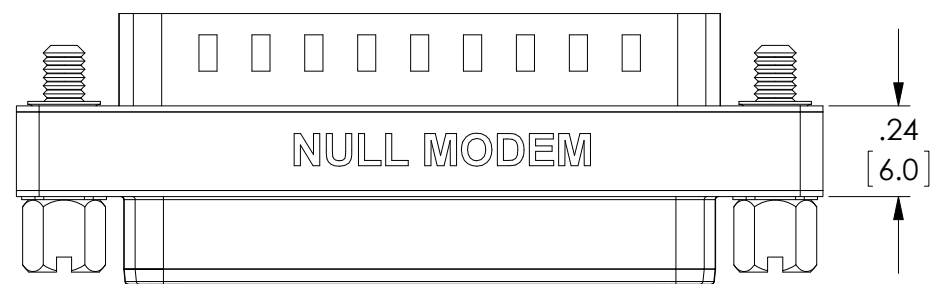


THE INFORMATION CONTAINED IN THIS DRAWING IS THE SOLE PROPERTY OF L-COM, INC. ANY REPRODUCTIONS IN PART OR WHOLE WITHOUT THE WRITTEN PERMISSION OF L-COM, INC. IS PROHIBITED.

REVISIONS			
REV	DESCRIPTION	DATE	CHANGED BY
A	DRAWING REPLACES DMA074FM-OD1	9/29/14	D. DESJARDIN



WIRING MAP	
"J1" DB25F	"P1" DB25M
1	1
2	3
3	2
4	5
5	4
6, 8	20
7	7
20	6, 8
SHELL	SHELL



NOTES:

MATERIALS:
SHELL: COLD ROLLED STEEL
CONTACTS: BRASS
INSULATOR: PBT UL94-V0 RATED

FINISH:
SHELL: TIN PLATED
CONTACT: GOLD FLASH OVER NICKEL
JACKSCREW: NICKEL PLATED

LABELING:
PANTONE 2945 BLUE. "L-COM" FONT MyriaMM ITALIC.
"NULL MODEM" FONT ARIAL BOLD, TEXT HEIGHTS; .085"
TEXT COLOR; WHITE.

PACKAGING:
COMPONENT SHALL BE INDIVIDUALLY PACKAGED IN ACCORDANCE WITH L-COM SPECIFICATION PS-0031.

REGULATORY COMPLIANCE:
CE2011/65/EU(RoHS DIRECTIVE)

UNLESS OTHERWISE SPECIFIED, DIMENSIONS ARE IN INCHES [mm]
OVERALL CABLE LENGTH TOLERANCE:
≤12 [305] = +1 [25] / -0
>12 [305] ≤60 [1524] = +2(51) / -0
>60 [1524] ≤120 [3048] = +4 [102] / -0
>120 [3048] ≤300 [7620] = +6 [152] / -0
>300 [7620] = +5% / -0%

ALL OTHER DIMENSIONAL TOLERANCES:
X = ±.2 [5.08]
XX = ±.02 [5.1]
XXX = ±.005 [1.3]

APPROVALS	DATE
DRAWN BY C.MCCORMICK	02/12/01
CHECKED BY D.PARHAM	02/12/01
APPROVED BY R.CARRICK	02/12/01



CATEGORY		D-SUBMINIATURE	
PRODUCT DESCRIPTION			
ADPT, NULL MDM DB25M/F SPECIAL			
SIZE	FSCM NO.	DWG. NO.	REV.
B	43321	DMA074MF	A
SCALE: 2:1		CAD FILE: DMA074MF.SLDDRW	SHEET 1 OF 1

