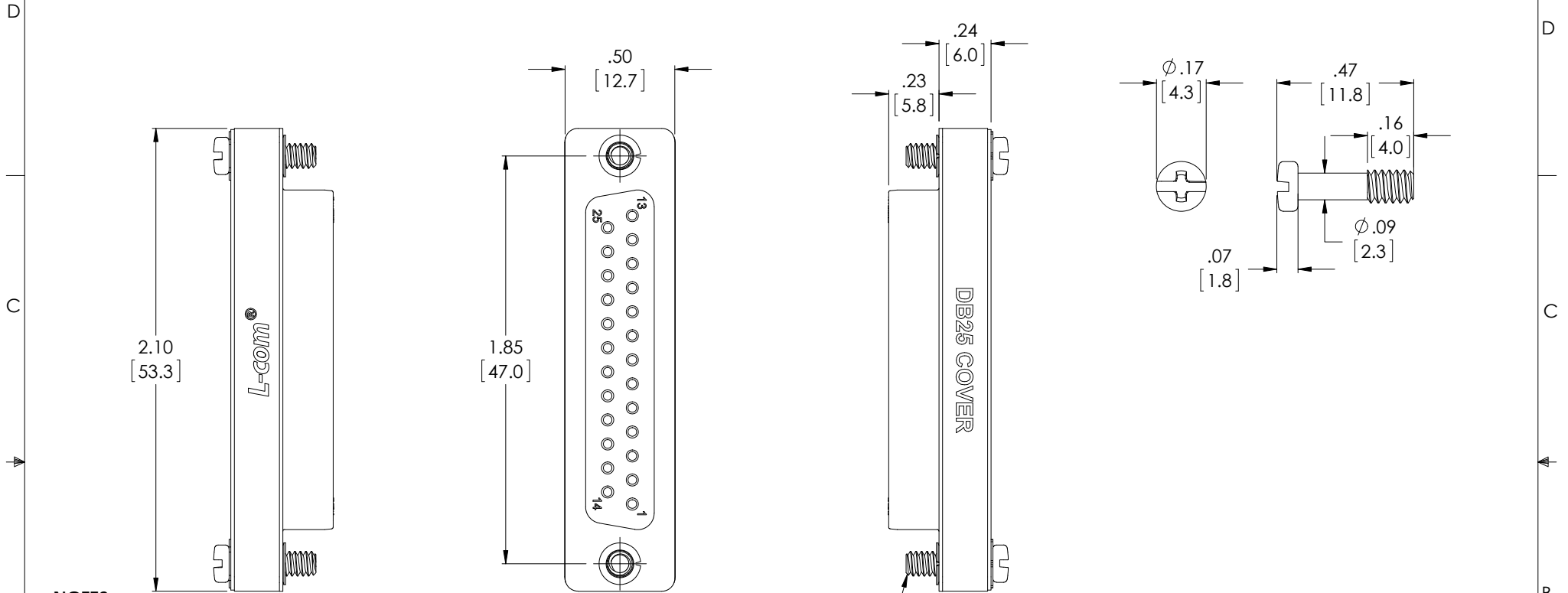


THE INFORMATION CONTAINED IN THIS DRAWING IS THE SOLE PROPERTY OF L-COM, INC. ANY REPRODUCTION IN PART OR WHOLE WITHOUT THE WRITTEN PERMISSION OF L-COM, INC. IS PROHIBITED.

REVISIONS			
REV	DESCRIPTION	DATE	APPROVED
A	DRAWING REPLACES DML019P-OD1	9/30/14	D. DESJARDIN



NOTES:

MATERIALS:

SHELL: NICKEL PLATED, COLD ROLLED STEEL
 COVER: NICKEL PLATED, COLD ROLLED STEEL
 INSULATOR: PBT GLASS FIBER REINFORCED UL94-V0, BLACK

APPLICATION:

COVER FITS STANDARD 25-CONTACT OR HIGH DENSITY 44-CONTACT FEMALE D-SUBMINIATURE RECEPTACLE.

LABELING:

PANTONE 2945 BLUE. "L-COM" FONT MyriaMM ITALIC. "DB25 COVER" FONT ARIAL BOLD, TEXT HEIGHTS; .085" TEXT COLOR; WHITE.

MISCELLANEOUS:

COMPONENT SHALL BE INDIVIDUALLY PACKAGED IN ACCORDANCE WITH L-COM SPECIFICATION PS-0031.

REGULATORY COMPLIANCE:

CE2011/65/EU (RoHS DIRECTIVE)

2X 4-40 UNC-2A SCREW

UNLESS OTHERWISE SPECIFIED, DIMENSIONS ARE IN INCHES [mm] OVERALL CABLE LENGTH TOLERANCE: ≤12 [305] = +1 [25] / -0 >12 [305] ≤60 [1524] = +2 [51] / -0 >60 [1524] ≤120 [3048] = +4 [102] / -0 >120 [3048] ≤300 [7620] = +6 [152] / -0 >300 [7620] = +5% / -0% ALL OTHER DIMENSIONAL TOLERANCES: .X = ±.2 [5.08] .XX = ±.02 [1.51] .XXX = ±.005 [1.13]	APPROVALS DRAWN BY P. LECLAIR	DATE 10/01/02	45 BEECHWOOD DRIVE NORTH ANDOVER, MA 01845		
	CHECKED BY C. MCCORMICK	10/01/02		CATEGORY D-SUBMINIATURE	
	APPROVED BY R. CARRICK	10/01/02	PRODUCT DESCRIPTION COVER, FOR DB25M SHLD		
	PROJECTION 	COLOR VARIATIONS MAY OCCUR	SIZE A	FSCM NO. 43321	DWG. NO. DML019P
		SCALE: NONE	CAD FILE: DML019P.SLDDRW	SHEET 1 OF 1	