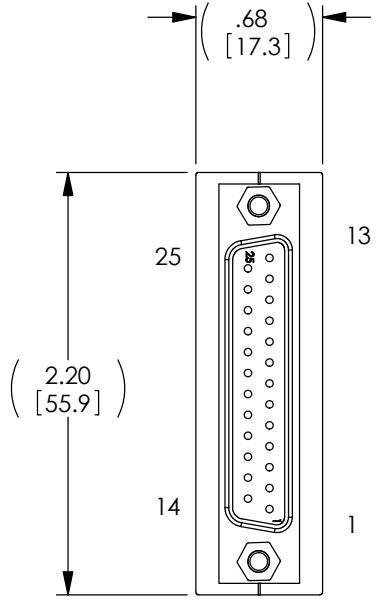


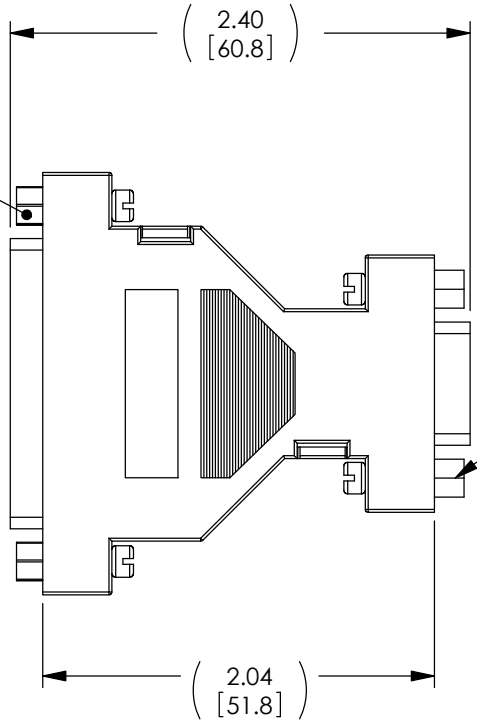
THE INFORMATION CONTAINED IN THIS DRAWING IS THE SOLE PROPERTY OF L-COM, INC. ANY REPRODUCTION IN PART OR WHOLE WITHOUT THE WRITTEN PERMISSION OF L-COM, INC. IS PROHIBITED.

REVISIONS			
REV	DESCRIPTION	DATE	APPROVED
A	INITIAL RELEASE	01/15/18	JLABOY

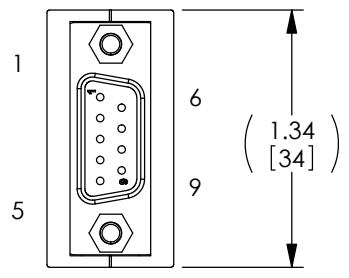


25 CONTACT FEMALE D-SUB CONNECTOR

2X 4-40 UNC-2B (SEE NOTE 5)



2X 4-40 UNC-2A (SEE NOTE 5)



9 CONTACT FEMALE D-SUB CONNECTOR

**NOTES:**

1. D-SUB CONNECTORS HAVE SOLDER TERMINALS
2. HOUSING: BLACK THERMOPLASTIC
3. HOUSING SNAPS TOGETHER
4. KIT SHOWN ASSEMBLED
5. KIT CONSISTS OF:
  - 1 PLASTIC HOUSING
  - 1 DB25 FEMALE CONNECTOR
  - 1 DB9 FEMALE CONNECTOR
  - 4, 4-40 SCREWS
  - 4, 4-40 HEX NUTS

6. ALL DIMENSIONS ARE FOR REFERENCE ONLY.

**REGULATORY COMPLIANCE:**  
CE2011/65/EU (RoHS DIRECTIVE)

UNLESS OTHERWISE SPECIFIED, DIMENSIONS ARE IN INCHES [mm] OVERALL CABLE LENGTH TOLERANCE: ≤12 [305] = +1 [25] / -0 >12 [305] ≤60 [1524] = +2 [51] / -0 >60 [1524] ≤120 [3048] = +4 [102] / -0 >120 [3048] ≤300 [7620] = +6 [152] / -0 >300 [7620] = +5% / -0% ALL OTHER DIMENSIONAL TOLERANCES: .X = ±.2 [5.08] .XX = ±.02 [51] .XXX = ±.005 [1.13]	APPROVALS DRAWN BY B.PUCHASKI	DATE 01/11/18	50 HIGH STREET NORTH ANDOVER, MA 01845	
	CHECKED BY D.FRISIELLO	01/11/18		CATEGORY D-SUBMINIATURE
	APPROVED BY B.GATES	01/11/18	PRODUCT DESCRIPTION ADPT KIT UNWIRED DB25F/DB9F	SIZE <b>A</b>
	PROJECTION 	CONFIGURATION DETAILS OF UNDIMENSIONED FEATURES MAY VARY	FSCM NO. <b>43321</b>	DWG. NO. DSC00002
COLOR VARIATIONS MAY OCCUR		SCALE: NONE	CAD FILE: DSC00002.SLDDRW	REV. <b>A</b>
			SHEET 1 OF 1	