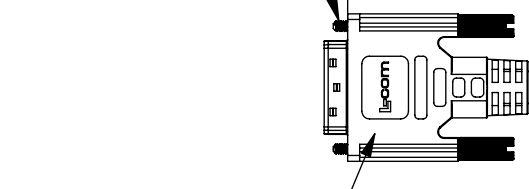


THE INFORMATION CONTAINED IN THIS DRAWING IS THE SOLE PROPERTY OF L-COM, INC. ANY REPRODUCTION IN PART OR WHOLE WITHOUT THE WRITTEN PERMISSION OF L-COM, INC. IS PROHIBITED.

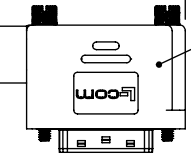
REVISIONS			
REV	DESCRIPTION	DATE	APPROVED
A	INITIAL RELEASE	4/23/13	D.GRIFFIN
B	ECN 6873: UL21100 WAS UL20276, REVISED ROHS NOTE	6/3/13	D.FRISIELLO
C	ECN8182: UPT DWG FROM MOLDED THUMBSCREW TO METAL THUMBSCREW	11/30/2015	B.ZHANG

2X 4-40 UNC-2A METAL THUMBSCREW



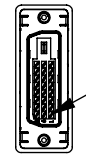
MOLDED HOOD, LSZH, BLACK

LENGTH



MOLDED HOOD, LSZH, BLACK

"P1"



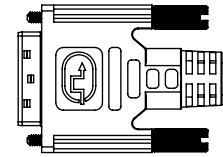
PIN 1

2X MALE DVI-D DUAL LINK CONNECTOR

PIN 1

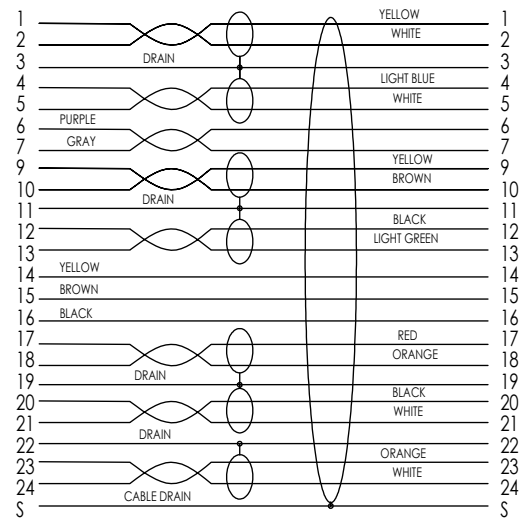
2X 4-40 UNC-2A THUMBSCREW

"P2"



UL STYLE 21100,
 (7) SHIELDED TWISTED PAIR, 28AWG, STRANDED TINNED COPPER,
 (1) UNSHIELDED TWISTED PAIR, 28AWG, STRANDED TINNED COPPER,
 (3) CONDUCTORS, 28AWG, STRANDED TINNED COPPER,
 SHIELDING(BRAIDED): 36AWG TINNED COPPER
 SHIELDING: ALUMINUM/POLYESTER
 OUTER JACKET: LOW SMOKE ZERO HALOGEN, BLACK

P1 WIRING MAP P2



PIN 8: NO CONNECTION

NOTES:

1. CABLE ASSEMBLY SHALL BE TESTED FOR CONTINUITY.
2. CABLE ASSEMBLY SHALL BE INDIVIDUALLY PACKAGED IN ACCORDANCE WITH L-COM SPECIFICATION PS-0031.
3. DUST COVERS INSTALLED FOR SHIPPING (NOT SHOWN).

REGULATORY COMPLIANCE:

CE2011/65/EU(RoHS DIRECTIVE)

MODEL NUMBER	LENGTH	
	FEET	METERS
DVIDD-RA3Z-1	1.0	.31
DVIDD-RA3Z-3	3.0	.91
DVIDD-RA3Z-5	5.0	1.52
DVIDD-RA3Z-10	10.0	3.05
DVIDD-RA3Z-15	15.0	4.57

UNLESS OTHERWISE SPECIFIED, DIMENSIONS ARE IN INCHES [mm] OVERALL CABLE LENGTH TOLERANCE: ≤ 12 [305] = +1 [25] / -0 > 12 [305] ≤ 60 [1524] = +2 [51] / -0 > 60 [1524] ≤ 120 [3048] = +4 [102] / -0 > 120 [3048] ≤ 300 [7620] = +6 [152] / -0 > 300 [7620] = +5% / -0% ALL OTHER DIMENSIONAL TOLERANCES: $X = \pm .2$ [5.08] $.XX = \pm .02$ [.51] $.XXX = \pm .005$ [.13]	APPROVALS DRAWN BY D.FRISIELLO CHECKED BY R.SCOTT APPROVED BY S.SMITH	DATE 4/17/13 4/17/13 4/17/13	45 BEECHWOOD DRIVE NORTH ANDOVER, MA 01845	
	CONFIGURATION DETAILS OF UNDIMENSIONED FEATURES MAY VARY			CATEGORY VIDEO
	PROJECTION 	COLOR VARIATIONS MAY OCCUR	SIZE A	FSCM NO. 43321
	PRODUCT DESCRIPTION CA-DVI DL M/M RA LFT EXIT LSZH		DWG. NO. DVIDD-RA3Z	REV. C
SCALE: NONE		CAD FILE: DVIDD-RA3Z.SLDDRW	SHEET 1 OF 1	