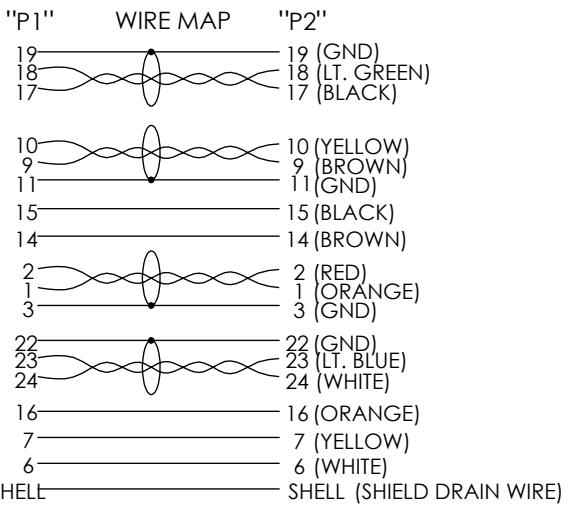
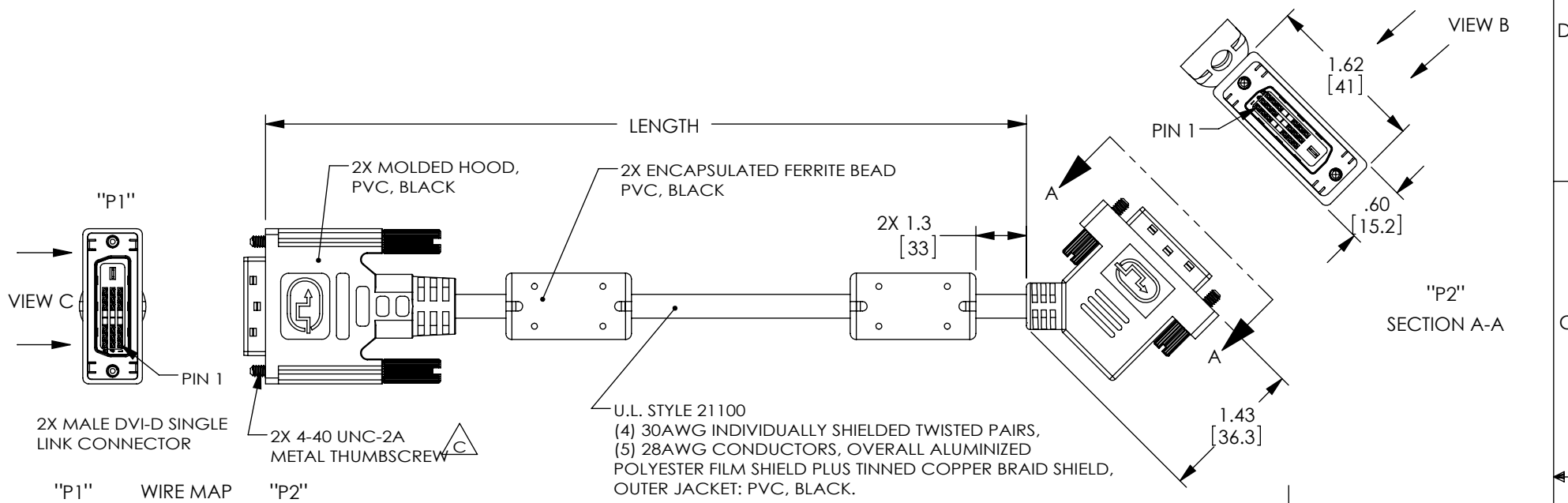
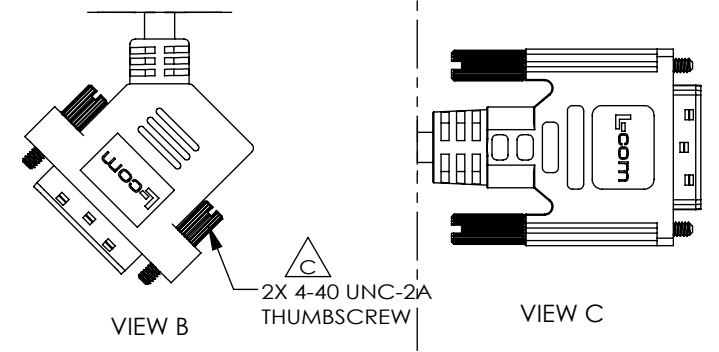


THE INFORMATION CONTAINED IN THIS DRAWING IS THE SOLE PROPERTY OF L-COM, INC. ANY REPRODUCTION IN PART OR WHOLE WITHOUT THE WRITTEN PERMISSION OF L-COM, INC. IS PROHIBITED.

REVISIONS			
REV	DESCRIPTION	DATE	APPROVED
A	INITIAL RELEASE	2/3/11	D.GRIFFIN
B	ECN 5837: ADDED LOGO	11/15/11	D. CASTRO
C	ECN8182: UPT DWG FROM MOLDED THUMBSCREW TO METAL THUMBSCREW	11/30/2015	B.ZHANG



MODEL NO.	LENGTH, FEET [METERS]
DVIDSL-45-1	1.0 [.31]
DVIDSL-45-3	3.0 [.91]
DVIDSL-45-5	5.0 [1.52]
DVIDSL-45-10	10.0 [3.05]
DVIDSL-45-15	15.0 [4.57]



- NOTES:**
- CABLE ASSEMBLY SHALL BE TESTED FOR CONTINUITY.
 - CABLE ASSEMBLY SHALL BE INDIVIDUALLY PACKAGED IN ACCORDANCE WITH L-COM SPECIFICATION PS-0031.
 - DUST COVERS INSTALLED FOR SHIPPING (NOT SHOWN).
 - ALL DIMENSIONS ARE FOR REFERENCE ONLY.

REGULATORY COMPLIANCE:
CE2011/65/EU(RoHS DIRECTIVE)

UNLESS OTHERWISE SPECIFIED, DIMENSIONS ARE IN INCHES [mm] OVERALL CABLE LENGTH TOLERANCE: ≤12 [305] = +1 [25] / -0 >12 [305] ≤60 [1524] = +2 [51] / -0 >60 [1524] ≤120 [3048] = +4 [102] / -0 >120 [3048] ≤300 [7620] = +6 [152] / -0 >300 [7620] = +3% / -0%	APPROVALS	DATE		45 BEECHWOOD DRIVE NORTH ANDOVER, MA 01845
	DRAWN BY D.FRISIELLO	2/1/11		CATEGORY
ALL OTHER DIMENSIONAL TOLERANCES: .X = ±.2 .XX = ±.02 .XXX = ±.005	CHECKED BY R.SCOTT	2/1/11	PRODUCT DESCRIPTION	CBL DVI-D M/45 DEG DVI-D M W/FERR
PROJECTION	APPROVED BY P.McNEIL	2/1/11	CONFIGURATION DETAILS OF UNDIMENSIONED FEATURES MAY VARY	SIZE A FSCM NO. 43321 DWG. NO. DVIDSL-45 REV. C
	COLOR VARIATIONS MAY OCCUR		SCALE: NONE	CAD FILE: DVIDSL-45.SLDRW SHEET 1 OF 1