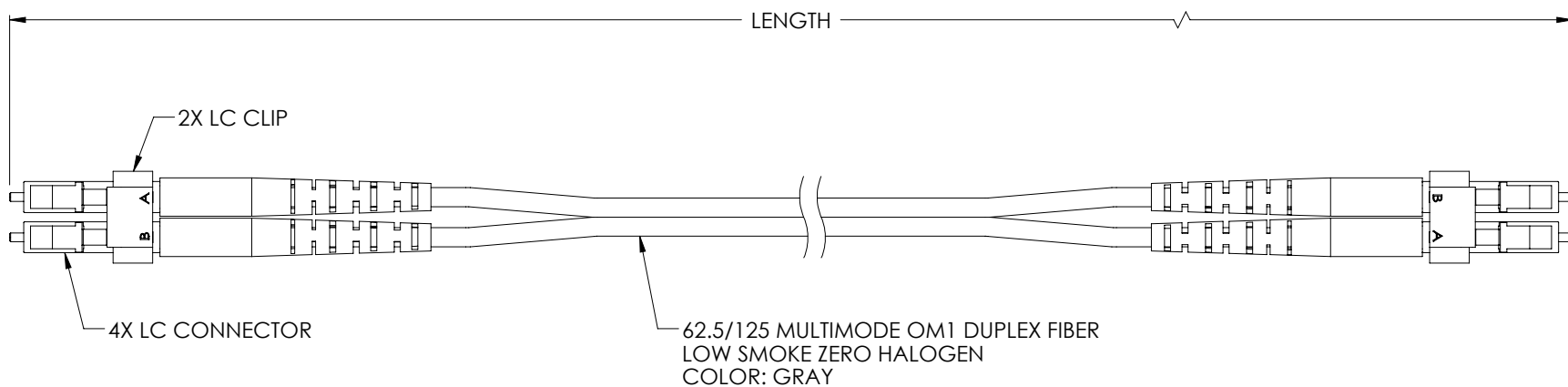


THE INFORMATION CONTAINED IN THIS DRAWING IS THE SOLE PROPERTY OF L-COM, INC. ANY REPRODUCTION IN PART OR WHOLE WITHOUT THE WRITTEN PERMISSION OF L-COM, INC. IS PROHIBITED.

REVISIONS			
REV	DESCRIPTION	DATE	APPROVED
A	INITIAL RELEASE	7/25/13	D.GRIFFIN


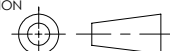


PART NUMBER	LENGTH	
	METERS	FEET
FODZLC-CL-01	1.0	3.3
FODZLC-CL-02	2.0	6.6
FODZLC-CL-03	3.0	9.8
FODZLC-CL-04	4.0	13.1
FODZLC-CL-05	5.0	16.4

NOTES:

1. LC CONNECTOR ASSEMBLY POLISH TYPE: PC
2. ALL CONNECTORS ACCOMPANIED WITH A DUST CAP INSTALLED (NOT SHOWN).
3. CABLE ASSEMBLY SHALL BE INDIVIDUALLY PACKAGED IN ACCORDANCE WITH L-COM PACKAGING SPECIFICATION PS-0031.

REGULATORY COMPLIANCE:
ROHS, CE

UNLESS OTHERWISE SPECIFIED, DIMENSIONS ARE IN INCHES [mm] OVERALL CABLE LENGTH TOLERANCE: ≤12 [305] = +1 [25] / -0 >12 [305] ≤60 [1524] = +2 [51] / -0 >60 [1524] ≤120 [3048] = +4 [102] / -0 >120 [3048] ≤300 [7620] = +6 [152] / -0 >300 [7620] = +5% / -0%	APPROVALS	DATE	 45 BEECHWOOD DRIVE NORTH ANDOVER, MA 01845			
	DRAWN BY D. DESJARDIN	7/23/13		CATEGORY FIBER OPTICS		
ALL OTHER DIMENSIONAL TOLERANCES: .X = ± .2 [5.08] .XX = ± .02 [5.1] .XXX = ±.005 [1.3]	CHECKED BY D. FRISIELLO	7/23/13	PRODUCT DESCRIPTION CA LCCL-LCCL 625DX LZH GRY			
	APPROVED BY D. GALLAGHER	7/23/13		<table border="1"> <tr> <td>SIZE A</td> <td>FSCM NO. 43321</td> <td>DWG. NO. FODZLC-CL</td> <td>REV. A</td> </tr> </table>	SIZE A	FSCM NO. 43321
SIZE A	FSCM NO. 43321	DWG. NO. FODZLC-CL	REV. A			
PROJECTION 	CONFIGURATION DETAILS OF UNDIMENSIONED FEATURES MAY VARY	COLOR VARIATIONS MAY OCCUR	SCALE: NONE CAD FILE: FODZLC-CL.SLDDRW SHEET 1 OF 1			