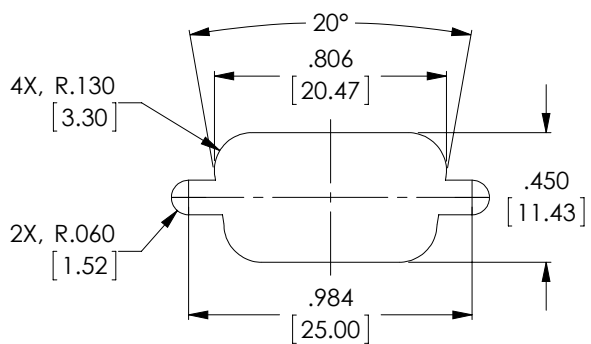


THE INFORMATION CONTAINED IN THIS DRAWING IS THE SOLE PROPERTY OF L-COM, INC. ANY REPRODUCTION IN PART OR WHOLE WITHOUT THE WRITTEN PERMISSION OF L-COM, INC. IS PROHIBITED.

**RoHS Compliant** ✓

REVISIONS			
REV	DESCRIPTION	DATE	APPROVED
A	INITIAL RELEASE	11/15/12	D.GRIFFIN



RECOMMENDED PANEL OPENING

**NOTE: SDG450XS JACKSCREWS AND SDHS HEX NUTS ARE REQUIRED FOR PANEL MOUNTING  
\*PANEL THICKNESS MUST NOT EXCEED .062 [1.57]**

**NOTES:**

**MATERIAL:**

SHELL: STEEL  
CONTACTS: COPPER ALLOY  
INSULATOR: PBT FIBER REINFORCED (UL94V-0 RATED)

**FINISH:**

SHELL: TIN/NICKEL PLATED  
CONTACTS: GOLD FLASH PLATED, 1-5μ INCHES

**ELECTRICAL:**

CURRENT RATING: 3 AMP  
INSULATION RESISTANCE: 1000 MΩ MIN @500 VDC  
DIELECTRIC WITHSTANDING VOLTAGE: 1000 VAC (FOR ONE MINUTE)

**MISCELLANEOUS:**

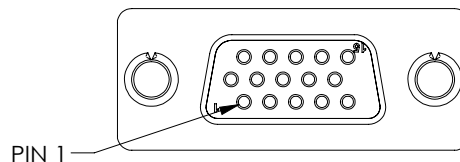
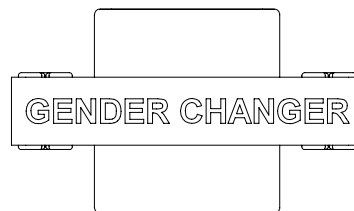
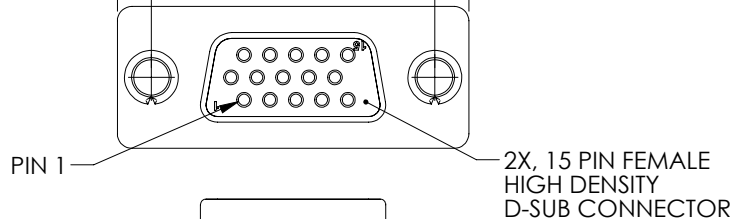
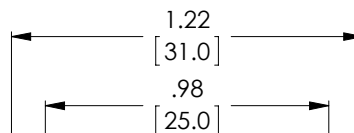
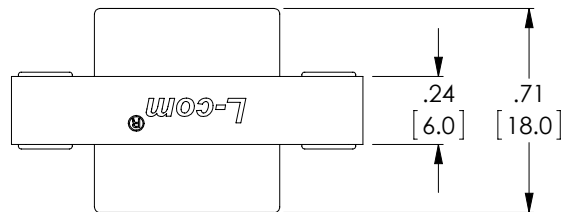
OPERATING TEMPERATURE RANGE: -55°C TO +105°C.  
ALL CONTACTS WIRED STRAIGHT THROUGH.  
COMPONENT SHALL BE TESTED FOR CONTINUITY.  
ALL DIMENSIONS ARE FOR REFERENCE ONLY.

**LABELING:**

PANTONE 2945 BLUE. "L-COM" FONT MyriaMM ITALIC.  
"GENDER CHANGER" FONT ARIAL BOLD, TEXT HEIGHTS; .085"  
TEXT COLOR; WHITE.

**PACKAGING:**

COMPONENT SHALL BE INDIVIDUALLY PACKAGED IN ACCORDANCE WITH L-COM SPECIFICATION PS-0031.



UNLESS OTHERWISE SPECIFIED, DIMENSIONS ARE IN INCHES [mm] OVERALL CABLE LENGTH TOLERANCE: ≤12 [305] = +1 [25] / -0 >12 [305] ≤60 [1524] = +2 [51] / -0 >60 [1524] ≤120 [3048] = +4 [102] / -0 >120 [3048] ≤300 [7620] = +6 [152] / -0 >300 [7620] = +3% / -0%	APPROVALS	DATE		45 BEECHWOOD DRIVE NORTH ANDOVER, MA 01845
	DRAWN BY D. DESJARDIN	11/2/12		
ALL OTHER DIMENSIONAL TOLERANCES: .X = ± .2 .XX = ± .02 .XXX = ± .005	CHECKED BY D. PARHAM	11/5/12	CATEGORY D-SUBMINIATURE	
	APPROVED BY S. SMITH	11/15/12	PRODUCT DESCRIPTION ADPT, GNDR CHGR HD15 SLIM F/F NO HARDWARE	
PROJECTION 	CONFIGURATION DETAILS OF UNDIMENSIONED FEATURES MAY VARY	COLOR VARIATIONS MAY OCCUR	SIZE <b>A</b>	FSCM NO. <b>43321</b>
			DWG. NO. <b>GCPH15F</b>	REV. <b>A</b>
			SCALE: NONE	CAD FILE: GCPH15F.SLDDRW
				SHEET 1 OF 1