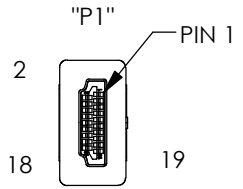
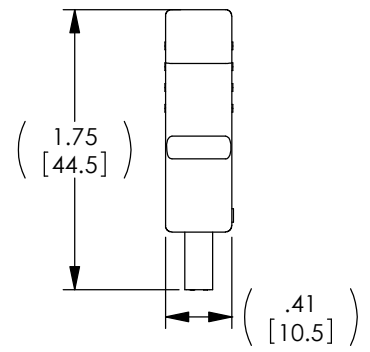
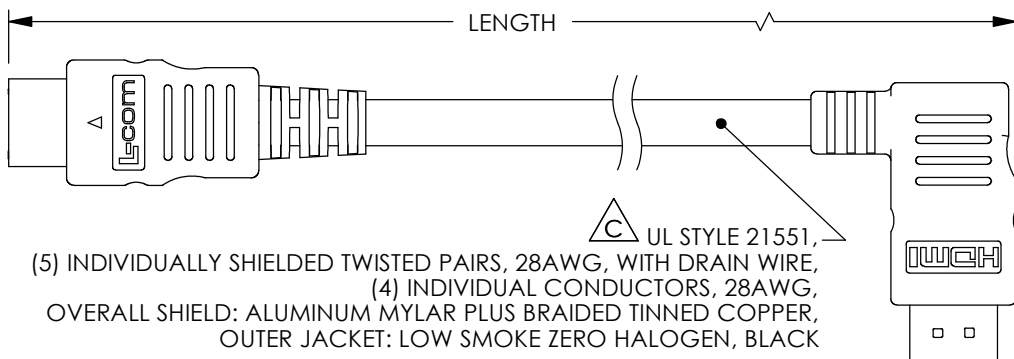
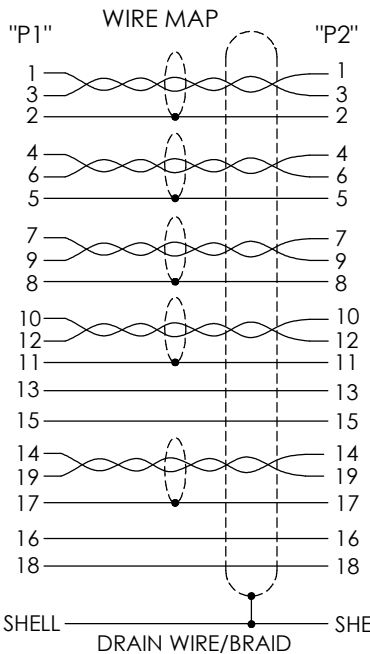


THE INFORMATION CONTAINED IN THIS DRAWING IS THE SOLE PROPERTY OF L-COM, INC. ANY REPRODUCTION IN PART OR WHOLE WITHOUT THE WRITTEN PERMISSION OF L-COM, INC. IS PROHIBITED.

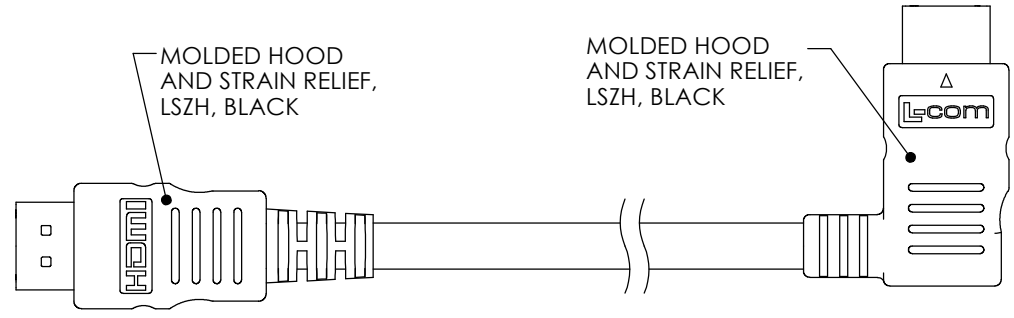
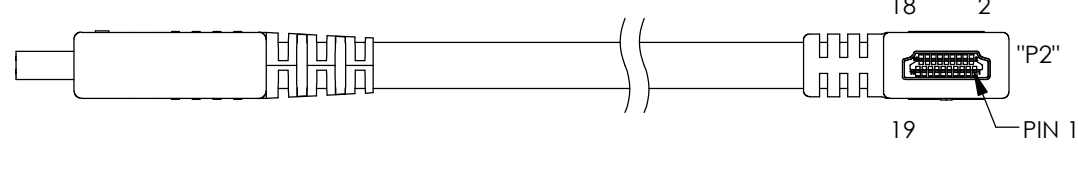
REVISIONS			
REV	DESCRIPTION	DATE	APPROVED
A	INITIAL RELEASE	10/20/11	D.GRIFFIN
B	ECN 9020; REVISED NOTES TO REMOVE HDMI LABEL, NEW DWG FORMAT	12/22/2017	B.ZHANG
C	ECN 10853; REVISE UL STYLE TO 21551, ADD LSZH CBL CHARACTERISTICS TO DWG, NEW FORMAT	12/22/2020	M.BLACKWOOD



HDMI MALE
19 PIN CONNECTOR
GOLD PLATED CONTACTS



HDMI MALE
19 PIN CONNECTOR
GOLD PLATED CONTACTS



MODEL NO.	LENGTH METERS [FEET]
HDRAZ2-0.5	0.5 [1.64]
HDRAZ2-1	1.0 [3.28]
HDRAZ2-2	2.0 [6.56]
HDRAZ2-3	3.0 [9.84]
HDRAZ2-4	4.0 [13.12]
HDRAZ2-5	5.0 [16.41]

LSZH CABLE CHARACTERISTICS:
 FLAME RATING: IEC 60332-1
 CORROSIVE GAS: IEC 60754
 SMOKE EMISSION: IEC 61034

- NOTES:**
- CABLE ASSEMBLY SHALL BE TESTED FOR CONTINUITY.
 - CABLE ASSEMBLY SHALL BE INDIVIDUALLY PACKAGED IN ACCORDANCE WITH L-COM SPECIFICATION PS-0031.
 - DUST COVERS INSTALLED FOR SHIPPING (NOT SHOWN).

UNLESS OTHERWISE SPECIFIED, DIMENSIONS ARE IN INCHES [mm] OVERALL CABLE LENGTH TOLERANCE: ≤12 [305] = +1 [25] / -0 >12 [305] ≤60 [1524] = +2 [51] / -0 >60 [1524] ≤120 [3048] = +4 [102] / -0 >120 [3048] ≤300 [7620] = +6 [152] / -0 >300 [7620] = +5% / -0 ALL OTHER DIMENSIONAL TOLERANCES: .X = ± .2 [5] FRACTIONS ± 1/32 .XX = ± .02 [5] ANGLES ± 1° .XXX = ± .005 [13]	APPROVALS	DATE	 50 High Street, West Mill, North Andover, MA 01845 USA. Phone: 1.800.341.5266 1.978.682.6936
	DRAWN BY D. CASTRO	10/19/11	
THIRD-ANGLE PROJECTION 	CHECKED BY D. PARHAM	10/19/11	CATEGORY AUDIO/VIDEO
	APPROVED BY P. MCNEIL	10/20/11	
CONFIGURATION DETAILS OF UNDIMENSIONED FEATURES MAY VARY	PRODUCT DESCRIPTION CA HDMI-M/RA-M LSZH		SCALE: NONE CAD FILE: HDRAZ2.SLDDRW SHEET 1 OF 1
COLOR VARIATIONS MAY OCCUR	SIZE A	CAGE CODE 43321	