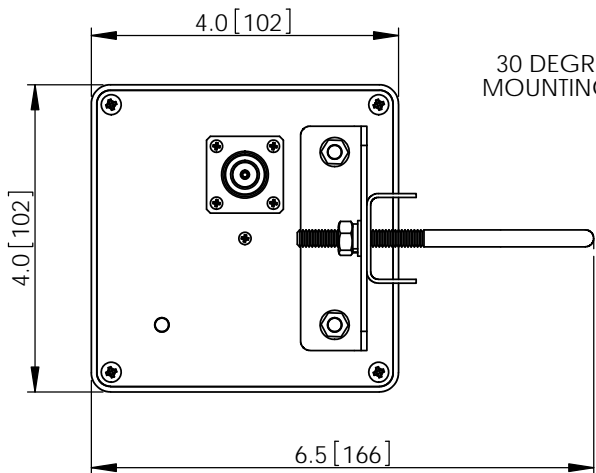
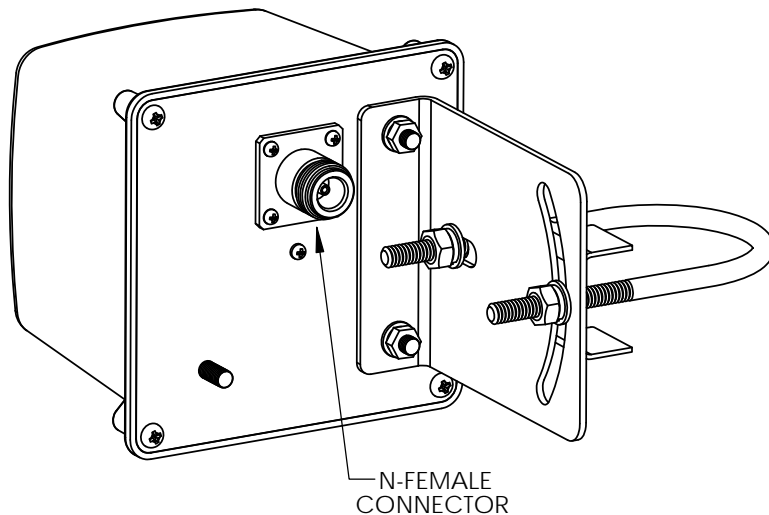
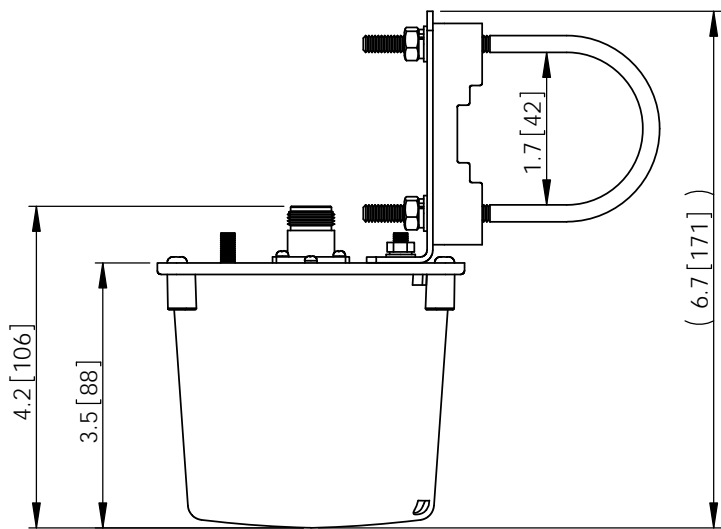
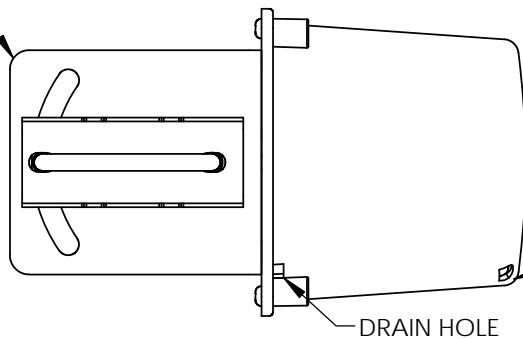


THE INFORMATION CONTAINED IN THIS DRAWING IS THE SOLE PROPERTY OF L-COM, INC. ANY REPRODUCTION IN PART OR WHOLE WITHOUT THE WRITTEN PERMISSION OF L-COM, INC. IS PROHIBITED.

REVISIONS			
REV	DESCRIPTION	DATE	APPROVED
A	INITIAL RELEASE	09/08/10	D.GRIFFIN
B	ECN 6373 REMOVED COLOR CALLOUT OF ABS RADOME	08/28/12	D.DESJARDIN
C	ECN 7984 UPDATE DRAWING AND SPECS	06/10/15	B.PUCHASKI



30 DEGREE SWIVEL MOUNTING BRACKET



DRAIN HOLE

DRAIN HOLE

NOTE:
1- EACH UNIT TO BE INDIVIDUALLY PACKAGED PER L-COM SPEC PKG-00023

- ALL DIMENSION FOR REFERENCE ONLY -

REGULATORY COMPLIANCE:
CE2011/65/EU(RoHS DIRECTIVE)

UNLESS OTHERWISE SPECIFIED, DIMENSIONS ARE IN INCHES [mm] DIMENSIONAL TOLERANCES: .X = ±.1 [2.54] .XX = ±.01 [2.5] .XXX = ±.005 [13] ANGULAR TOLERANCES: ALL = ± 1°	APPROVALS	DATE		45 BEECHWOOD DRIVE NORTH ANDOVER, MA 01845	
	DRAWN BY D. CASTRO	09/08/10			
	CHECKED BY D. PARHAM	09/08/10	CATEGORY	ANTENNA	
	APPROVED BY K. BLOMGREN	09/08/10	PRODUCT DESCRIPTION	2.4GHz 12dBi PATCH ANTENNA W/N-FEMALE CONNECTOR	
PROJECTION 	COLOR VARIATIONS MAY OCCUR	SIZE A	FSCM NO. 43321	DWG. NO. HG2412P	REV. C
		SCALE: NONE	CAD FILE: HG2412P.SLDDRW	SHEET 1 OF 1	