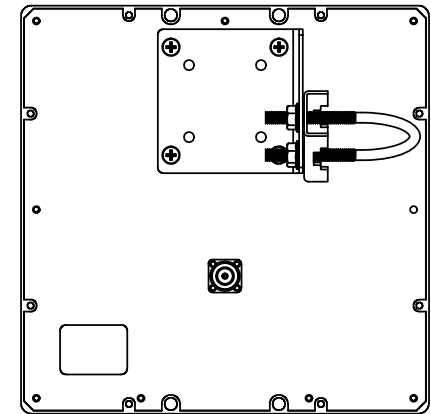
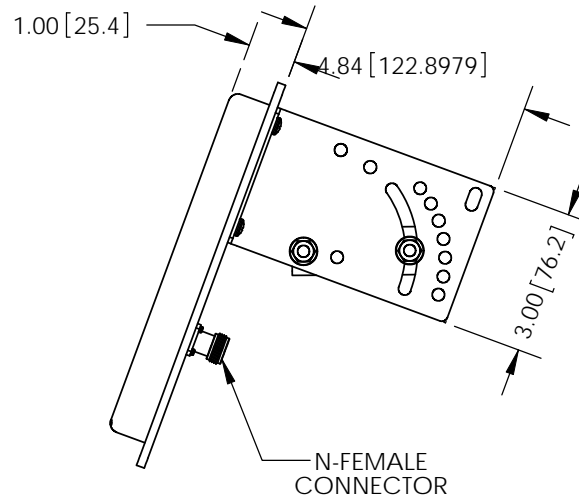
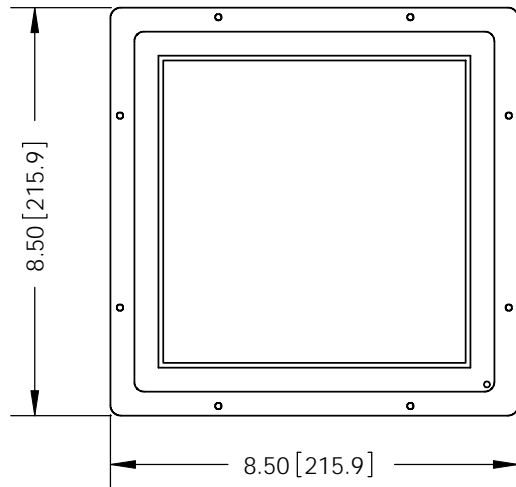
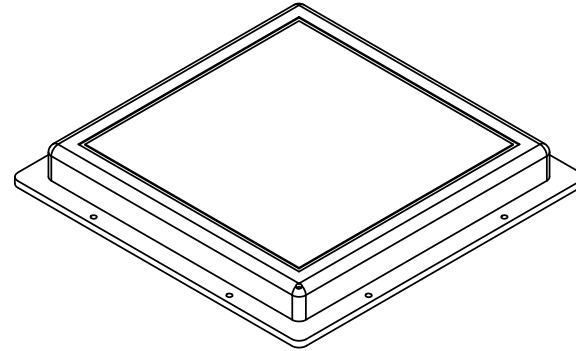
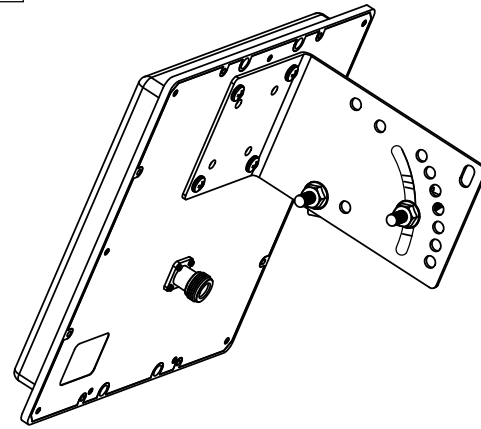


THE INFORMATION CONTAINED IN THIS DRAWING IS THE SOLE PROPERTY OF L-COM, INC. ANY REPRODUCTION IN PART OR WHOLE WITHOUT THE WRITTEN PERMISSION OF L-COM, INC. IS PROHIBITED.

REVISIONS			
REV	DESCRIPTION	DATE	APPROVED
A	Initial Release	06/10/11	B.Puchaski
-	-	-	-
-	-	-	-



RoHS Compliant

NOTES:
 PACKAGING:
 COMPONENT SHALL BE PACKAGED IN ACCORDANCE WITH L-COM SPEC PKG-00012

UNLESS OTHERWISE SPECIFIED, DIMENSIONS ARE IN INCHES [mm] DIMENSIONAL TOLERANCES: .X = ±.1 .XX = ±.01 .XXX = ±.005 ANGULAR TOLERANCES: ALL = ± 1° PROJECTION 	APPROVALS	DATE		45 BEECHWOOD DRIVE NORTH ANDOVER, MA 01845	
	DRAWN BY B.Puchaski	06/10/11			
	CHECKED BY P.Pesa	06/10/11	CATEGORY	ANTENNA	
	APPROVED BY P.Pesa	06/10/11	PRODUCT DESCRIPTION	2.4 GHz 14dBi Flat Panel Antenna w/N-Female Connector	
COLOR VARIATIONS MAY OCCUR	SIZE A	FSCM NO. 43321	DWG. NO. HG2414P	REV. A	
SCALE: NONE			CAD FILE: HG2414P.SLDDRW		
			SHEET 1 OF 1		