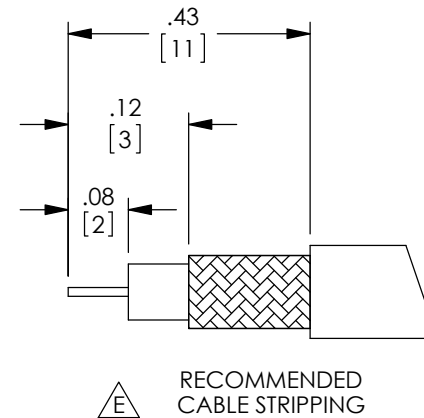
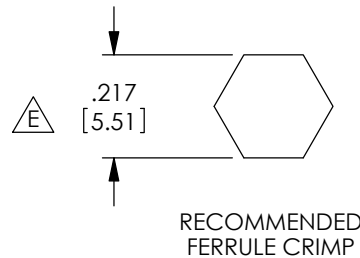
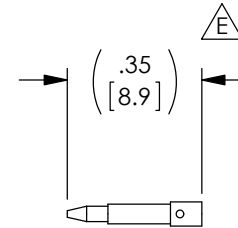
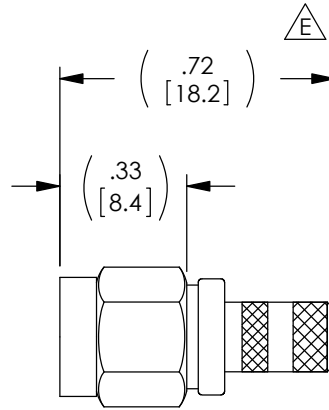


THE INFORMATION CONTAINED IN THIS DRAWING IS THE SOLE PROPERTY OF L-COM, INC. ANY REPRODUCTION IN PART OR WHOLE WITHOUT THE WRITTEN PERMISSION OF L-COM, INC. IS PROHIBITED.

REVISIONS			
REV	DESCRIPTION	DATE	APPROVED
E	ECN 7358: UPDATE PER NEW SUPPLIER SPEC.	3/26/14	D.FRISIELLO

DESCRIPTION	MATERIAL	FINISH
SHELL	BRASS	GOLD
BODY	BRASS	GOLD
INSULATOR	PTFE	---
PIN	BRASS	GOLD
FERRULE	BRASS	GOLD



NOTES:


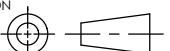
ELECTRICAL:
 IMPEDANCE: 50 OHMS
 WITHSTAND VOLTAGE: 2500V
 FREQUENCY RANGE: 0~6 GHz
 VSWR: ≤1.50 @ 0~6 GHz
 DURABILITY: ≥ 500 CYCLE
 CABLE RETENTION: > 40 POUNDS

MISCELLANEOUS:
 COMPONENTS SHALL BE INDIVIDUALLY PACKAGED IN ACCORDANCE WITH L-COM SPECIFICATION PS-0031.

⚠ CENTER PIN IS SOLDER TYPE ONLY.

ALL DIMENSIONS ARE FOR REFERENCE ONLY.

REGULATORY COMPLIANCE:
 CE2011/65/EU(RoHS DIRECTIVE)

UNLESS OTHERWISE SPECIFIED, DIMENSIONS ARE IN INCHES [mm] OVERALL CABLE LENGTH TOLERANCE: ≤12 [305] = +1 [25] / -0 >12 [305] ≤60 [1524] = +2 [51] / -0 >60 [1524] ≤120 [3048] = +4 [102] / -0 >120 [3048] ≤300 [7620] = +6 [152] / -0 >300 [7620] = +5% / -0%	APPROVALS	DATE	 45 BEECHWOOD DRIVE NORTH ANDOVER, MA 01845	
	DRAWN BY C.MCCORMICK	11/30/2004		
ALL OTHER DIMENSIONAL TOLERANCES: .X = ± .2 [5.08] .XX = ± .02 [51] .XXX = ±.005 [1.27]	CHECKED BY D.PARHAM	11/30/2004	PRODUCT DESCRIPTION CONN SMA M LMR200 CRIMP	
	APPROVED BY R.CARRICK	11/30/2004		
PROJECTION 	CONFIGURATION DETAILS OF UNDIMENSIONED FEATURES MAY VARY		SCALE: NONE CAD FILE: HPC201.SLDDRW SHEET 1 OF 1	
COLOR VARIATIONS MAY OCCUR				