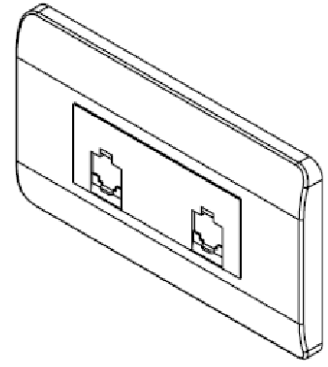
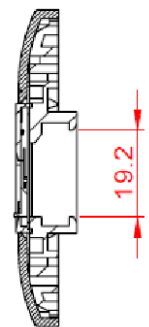
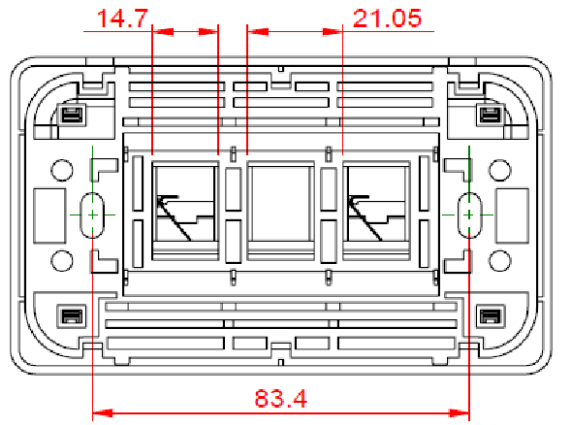
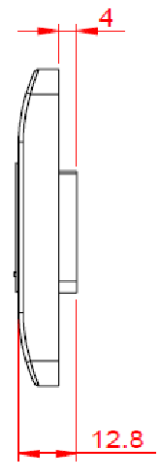
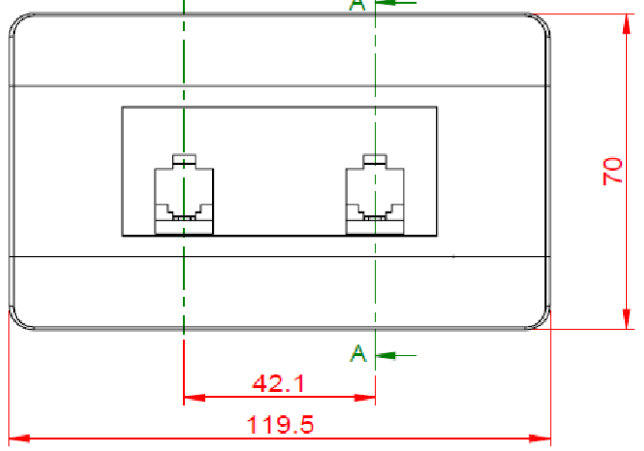
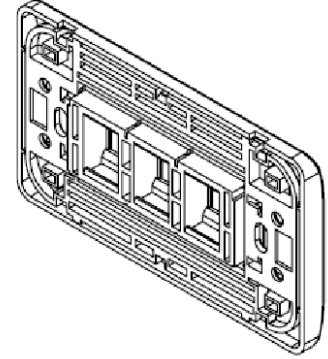


THE INFORMATION CONTAINED IN THIS DRAWING IS THE SOLE PROPERTY OF L-COM, INC. ANY REPRODUCTION IN PART OR WHOLE WITHOUT THE WRITTEN PERMISSION OF L-COM, INC. IS PROHIBITED.

REVISIONS			
REV	DESCRIPTION	DATE	APPROVED
A	INITIAL RELEASE	10/10/11	D.GRIFFIN



SECTION A-A



- NOTES:**
- MATERIAL:  
FACEPLATE: ABS HIGH IMPACT UL94V-0 THERMOPLASTIC (WHITE).  
BASE: ABS HIGH IMPACT UL94V-0 THERMOPLASTIC
  - COMPONENT SHALL BE INDIVIDUALLY PACKAGED IN ACCORDANCE WITH L-COM SPEC. PS-0031.
  - ALL DIMENSIONS ARE IN [mm].

UNLESS OTHERWISE SPECIFIED, DIMENSIONS ARE IN INCHES [mm] OVERALL CABLE LENGTH TOLERANCE: ≤12 [305] = +1 [25] / -0 >12 [305] ≤60 [1524] = +2 [51] / -0 >60 [1524] ≤120 [3048] = +4 [102] / -0 >120 [3048] ≤300 [7620] = +6 [152] / -0 >300 [7620] = +3% / -0%	APPROVALS	DATE		45 BEECHWOOD DRIVE NORTH ANDOVER, MA 01845
	DRAWN BY D. CASTRO	10/5/11		CATEGORY
ALL OTHER DIMENSIONAL TOLERANCES: .X = ±.2 .XX = ±.02 .XXX = ±.005	CHECKED BY D. PARHAM	10/6/11	PRODUCT DESCRIPTION	
PROJECTION 	APPROVED BY D. GALLAGHER	10/6/11	MOD WPLT 4.7"x2.8" DUAL RJ45	
	CONFIGURATION DETAILS OF UNDIMENSIONED FEATURES MAY VARY		SIZE <b>A</b>	FSCM NO. <b>43321</b>
	COLOR VARIATIONS MAY OCCUR		DWG. NO. MWP402K-WT	REV. <b>A</b>
			SCALE: NONE	CAD FILE: MWP402K-WT.SLDDRW
				SHEET 1 OF 1