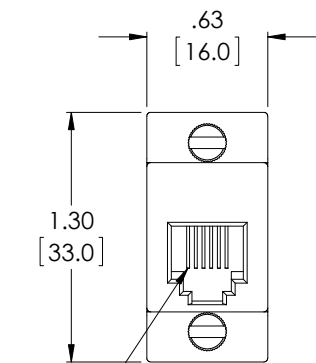


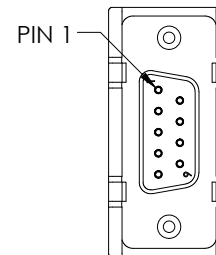
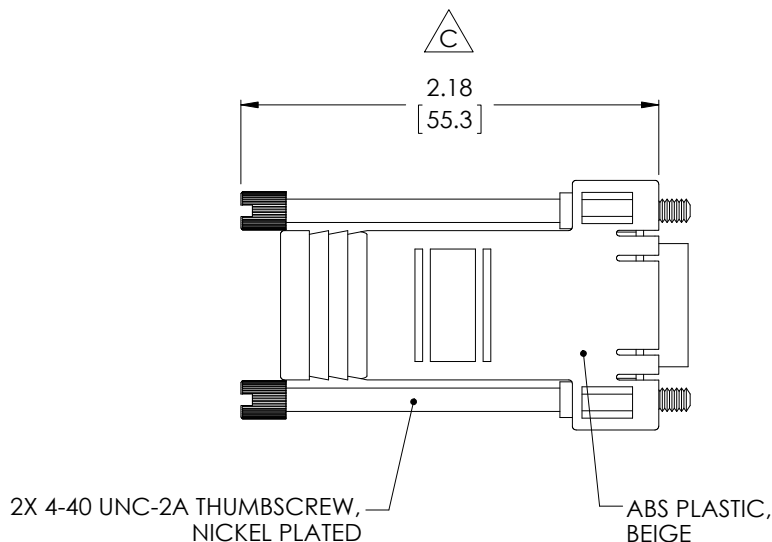
THE INFORMATION CONTAINED IN THIS DRAWING IS THE SOLE PROPERTY OF L-COM, INC. ANY REPRODUCTION IN PART OR WHOLE WITHOUT THE WRITTEN PERMISSION OF L-COM, INC. IS PROHIBITED.

REVISIONS			
REV	DESCRIPTION	DATE	APPROVED
A	RELEASED TO PRODUCTION	1/22/01	MCCORMICK
B	ECN 1180: ADDED KIT AS SUPPLIED EXPLODED VIEW	10/7/04	D. PARHAM
C	ECN 6971: UPDATED DESIGN, FORMAT, PACKAGING	7/22/13	D. DESJARDIN

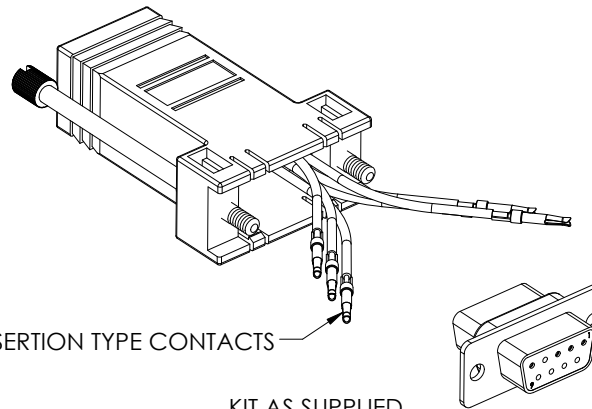


RJ12 JACK (6X6)

WIRING CHART	
RJ12 JACK	COLOR
PIN 1	WHITE
PIN 2	BLACK
PIN 3	RED
PIN 4	GREEN
PIN 5	YELLOW
PIN 6	BLUE



9 POSITION FEMALE D-SUB CONNECTOR



6X FEMALE INSERTION TYPE CONTACTS

KIT AS SUPPLIED



NOTES:

- ADAPTER KIT SHALL BE INDIVIDUALLY PACKAGED UN-ASSEMBLED IN ACCORDANCE WITH L-COM SPECIFICATION PS-0031.
- ALL DIMENSIONS ARE FOR REFERENCE ONLY

REGULATORY COMPLIANCE:
ROHS, CE

UNLESS OTHERWISE SPECIFIED, DIMENSIONS ARE IN INCHES [mm] OVERALL CABLE LENGTH TOLERANCE: ≤12 [305] = +1 [25] / -0 >12 [305] ≤60 [1524] = +2 [51] / -0 >60 [1524] ≤120 [3048] = +4 [102] / -0 >120 [3048] ≤300 [7620] = +6 [152] / -0 >300 [7620] = +5% / -0% ALL OTHER DIMENSIONAL TOLERANCES: .X = ±.2 [5.08] .XX = ±.02 [1.51] .XXX = ±.005 [1.13]	APPROVALS C. MCCORMICK CHECKED BY D. PARHAM APPROVED BY R. CARRICK	DATE 1/22/01 1/29/01 1/29/01		45 BEECHWOOD DRIVE NORTH ANDOVER, MA 01845
	CONFIGURATION DETAILS OF UNDIMENSIONED FEATURES MAY VARY		CATEGORY TELECOM/MODULAR	
	COLOR VARIATIONS MAY OCCUR		PRODUCT DESCRIPTION ADAPTOR KIT, DB9F/RJ12 JACK	
	PROJECTION 	SIZE A	FSCM NO. 43321	DWG. NO. RA096F