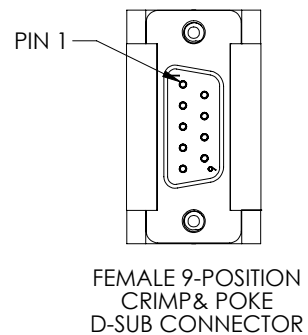
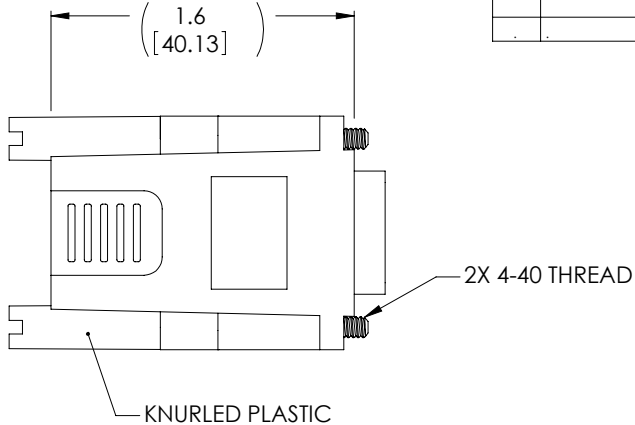
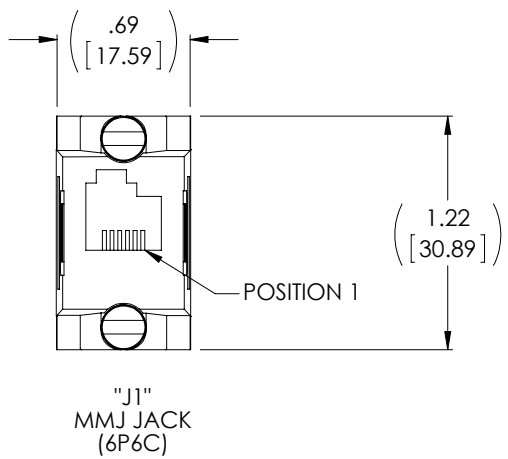


THE INFORMATION CONTAINED IN THIS DRAWING IS THE SOLE PROPERTY OF L-COM, INC. ANY REPRODUCTION IN PART OR WHOLE WITHOUT THE WRITTEN PERMISSION OF L-COM, INC. IS PROHIBITED.

REVISIONS			
REV	DESCRIPTION	DATE	APPROVED
A	DRAWING REPLACES REC096FD-OD1	10/15/14	D. CASTRO

D



WIRE MAP	
"J1"	COLOR
PIN 1	WHITE OR GRAY
PIN 2	BLACK
PIN 3	RED
PIN 4	GREEN
PIN 5	YELLOW
PIN 6	BLUE

**SPECIFICATIONS:**

MOLDED PARTS ARE UL94V-0 RATED

**MATERIAL:**  
HOUSING: MOLDED ABS  
COLOR: DARK GRAY

**D-SUB:**  
INSULATOR: UL94V-0 THERMOPLASTIC  
CONTACTS: GOLD PLATED  
SHELL: TIN FINISH

**RJ45:**  
CONTACTS: GOLD PLATED, 50 μINCHES

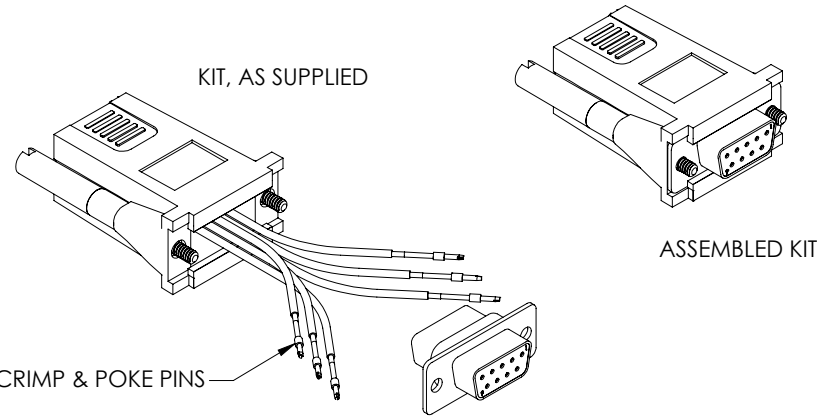
**MISCELLANEOUS:**

ADAPTOR KIT PROGRAMMED AS NEEDED BY INSERTING AND SEATING EACH PIN INTO DESIRED POSITION IN D-SUB CONNECTOR.

ADAPTER KIT SHALL BE INDIVIDUALLY PACKAGED UN-ASSEMBLED IN ACCORDANCE WITH L-COM SPECIFICATION PS-0031.

ALL DIMENSIONS ARE FOR REFERENCE ONLY

**REGULATORY COMPLIANCE:**  
CE2011/65/EU(RoHS DIRECTIVE)



C

B

A

UNLESS OTHERWISE SPECIFIED, DIMENSIONS ARE IN INCHES [mm] OVERALL CABLE LENGTH TOLERANCE: ≤12 [305] = +1 [25] / -0 >12 [305] ≤60 [1524] = +2 [51] / -0 >60 [1524] ≤120 [3048] = +4 [102] / -0 >120 [3048] ≤300 [7620] = +6 [152] / -0 >300 [7620] = +5% / -0% ALL OTHER DIMENSIONAL TOLERANCES: .X = ± .2 [5.08] .XX = ± .02 [5.1] .XXX = ±.005 [1.3]	APPROVALS DRAWN BY TJC	DATE 12/14/01		45 BEECHWOOD DRIVE NORTH ANDOVER, MA 01845	
	CHECKED BY DFP	DATE 12/14/01			CATEGORY TELECOM/MODULAR
	APPROVED BY CM	DATE 12/14/01	PRODUCT DESCRIPTION ADAPTOR KIT, DB9F/MMJ JACK		
	CONFIGURATION DETAILS OF UNDIMENSIONED FEATURES MAY VARY	COLOR VARIATIONS MAY OCCUR	SIZE <b>A</b>	FSCM NO. <b>43321</b>	DWG. NO. REC096FD
PROJECTION 	SCALE: NONE		CAD FILE: REC096FD.SLDDRW	REV. <b>A</b>	