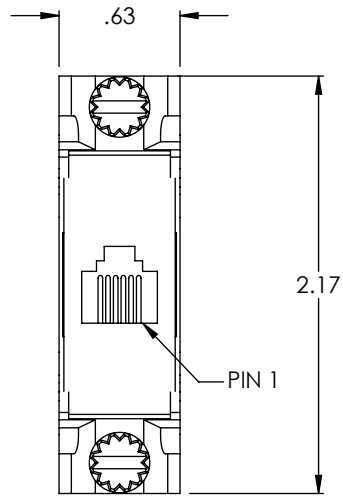
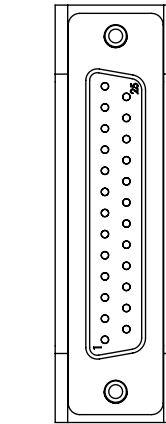
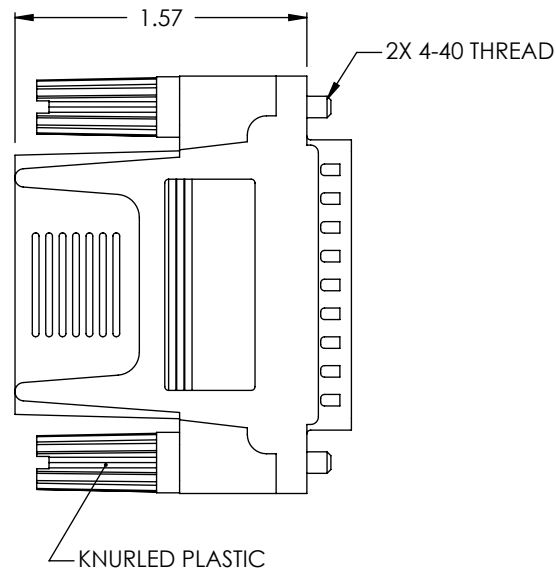


THE INFORMATION CONTAINED IN THIS DRAWING IS THE SOLE PROPERTY OF L-COM, INC. ANY REPRODUCTION IN PART OR WHOLE WITHOUT THE WRITTEN PERMISSION OF L-COM, INC. IS PROHIBITED.

REVISIONS			
REV	DESCRIPTION	DATE	APPROVED
A	RELEASED FOR PRODUCTION	2/11/02	TJC
B	ECN1509: ADDED PRODUCT VALIDATION	9/19/03	DFP
C	ECN 3055: CHANGED NOTE FROM: RJ45 TO: RJ12	10/25/07	D.CASTRO



RJ12 JACK  
(6 X 6)



MALE 25-POSITION  
CRIMP & POKE  
D-SUB CONNECTOR

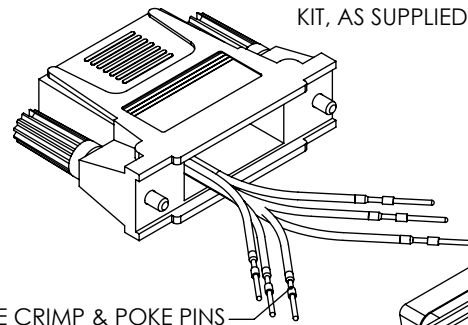
SPECIFICATIONS  
MOLDED PARTS ARE UL94V-0 RATED

MATERIAL:  
HOUSING: MOLDED ABS  
COLOR: DARK GRAY

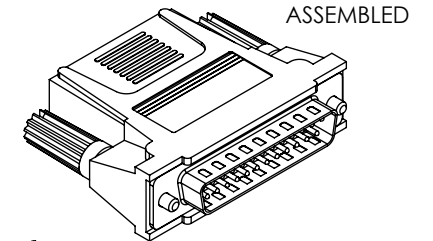
D-SUB  
INSULATOR: UL94V-0 THERMOPLASTIC  
CONTACTS: GOLD PLATED  
SHELL: TIN FINISH

RJ12  
CONTACTS: GOLD PLATED, 50 μINCHES

WIRING TABLE	
RJ12	LEAD COLOR
PIN 1	WHITE OR GRAY
PIN 2	BLACK
PIN 3	RED
PIN 4	GREEN
PIN 5	YELLOW
PIN 6	BLUE



6X MALE CRIMP & POKE PINS



ASSEMBLED

NOTES:

- ADAPTOR KIT PROGRAMMED AS NEEDED BY INSERTING AND SEATING EACH PIN INTO DESIRED POSITION IN D-SUB CONNECTOR.

UNLESS OTHERWISE SPECIFIED,  
DIMENSIONS ARE IN INCHES  
TOLERANCES ARE:  
.X ±.1  
.XX ±.05  
.XXX ±.005  
CABLE LENGTH TOLERANCE  
<300" ±5% >300" ±2%

APPROVALS	DATE
DRAWN BY TJC	2/9/02
CHECKED BY DFP	2/11/02
APPROVED BY CM	2/11/02

CONFIGURATION DETAILS OF  
UNDIMENSIONED FEATURES  
MAY VARY

<b>L-com</b> CONNECTIVITY PRODUCTS		45 BEECHWOOD DRIVE NORTH ANDOVER, MA 01845	
PRODUCT DESCRIPTION DB25M TO RJ12 MODULAR ADAPTOR			
DRAWING TITLE <b>OUTLINE DRAWING</b>			
SIZE <b>A</b>	FSCM NO. <b>43321</b>	DWG. NO. REC256M	REV. <b>C</b>
SCALE: NONE		CAD FILE: REC256M.SLDDRW	SHEET 1 OF 1