

THE INFORMATION CONTAINED IN THIS DRAWING IS THE SOLE PROPERTY OF L-COM, INC. ANY REPRODUCTION IN PART OR WHOLE WITHOUT THE WRITTEN PERMISSION OF L-COM, INC. IS PROHIBITED.

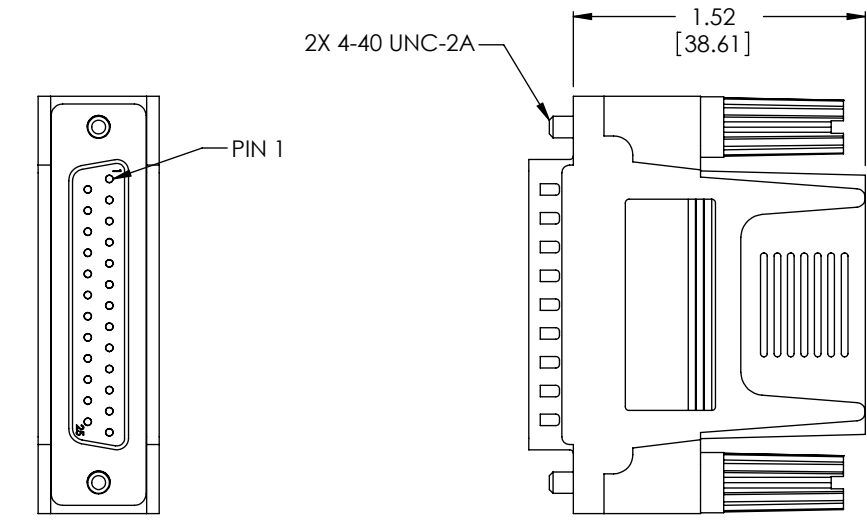
REVISIONS			
REV	DESCRIPTION	DATE	APPROVED
A	REPLACES REC258M-OD1	6/23/14	D. CASTRO

D

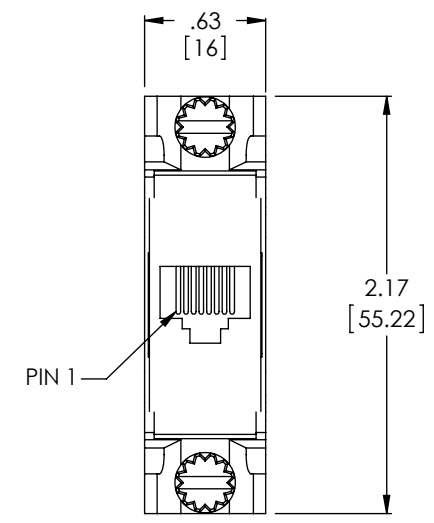
C

B

A



25 PIN MALE D-SUB CONNECTOR



RJ45 JACK (8X8)

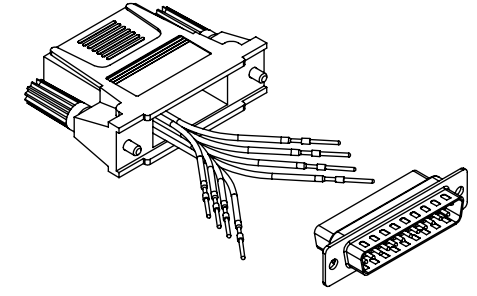
SPECIFICATIONS
MOLDED PARTS ARE UL94V-0 RATED

MATERIAL:
HOUSING: MOLDED ABS
COLOR: DARK GRAY

D-SUB
INSULATOR: UL94V-0 THERMOPLASTIC
CONTACTS: GOLD PLATED
SHELL: TIN FINISH

RJ45
CONTACTS: GOLD PLATED, 50 μINCHES

WIRING TABLE	
RJ45 PIN#	LEAD COLOR
1	BLUE
2	ORANGE
3	BLACK
4	RED
5	GREEN
6	YELLOW
7	BROWN
8	WHITE



- NOTE:
- ADAPTOR KIT PROGRAMMED AS NEEDED BY INSERTING AND SEATING EACH PIN INTO DESIRED POSITION
 - ADAPTOR SHALL BE INDIVIDUALLY PACKAGED IN ACCORDANCE WITH L-COM SPECIFICATION PS-0031.

REGULATORY COMPLIANCE:
CE2011/65/EU(RoHS DIRECTIVE)

UNLESS OTHERWISE SPECIFIED, DIMENSIONS ARE IN INCHES [mm] OVERALL CABLE LENGTH TOLERANCE: ≤12 [305] = +1 [25] / -0 >12 [305] ≤60 [1524] = +2 [51] / -0 >60 [1524] ≤120 [3048] = +4 [102] / -0 >120 [3048] ≤300 [7620] = +6 [152] / -0 >300 [7620] = +5% / -0%	APPROVALS	DATE		45 BEECHWOOD DRIVE NORTH ANDOVER, MA 01845
	DRAWN BY D PARHAM	4/11/2001		CATEGORY
ALL OTHER DIMENSIONAL TOLERANCES: .X = ± .2 [5.08] .XX = ± .02 [51] .XXX = ±.005 [1.3]	CHECKED BY T CLARK	7/18/2001	PRODUCT DESCRIPTION	
	APPROVED BY R CARRICK	7/25/2001	ADAPTOR KIT, DB25M/RJ45 JACK	
PROJECTION 	CONFIGURATION DETAILS OF UNDIMENSIONED FEATURES MAY VARY	COLOR VARIATIONS MAY OCCUR	SIZE A	FSCM NO. 43321
			DWG. NO. REC258M	REV. A
			SCALE: NONE	CAD FILE: REC258M.SLDDRW
				SHEET 1 OF 1