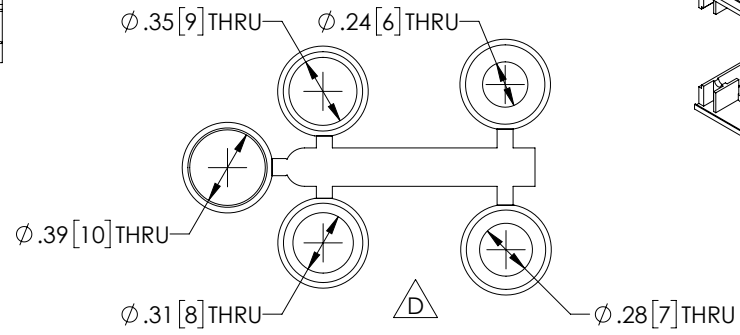
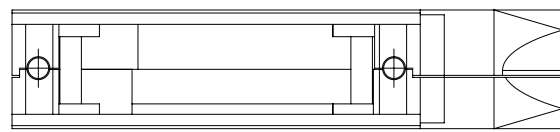
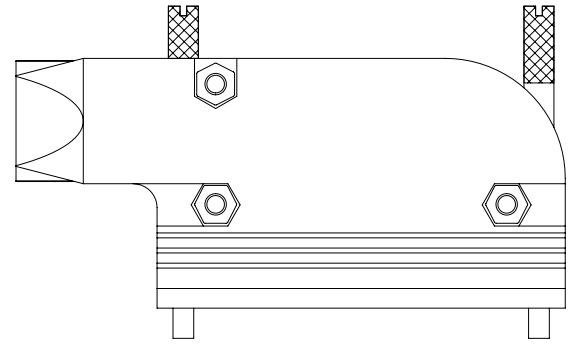
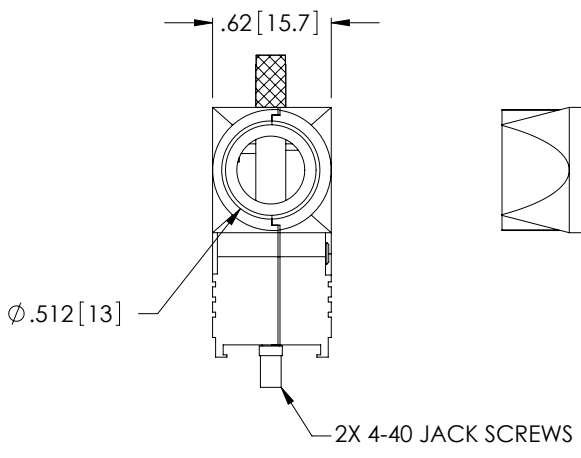
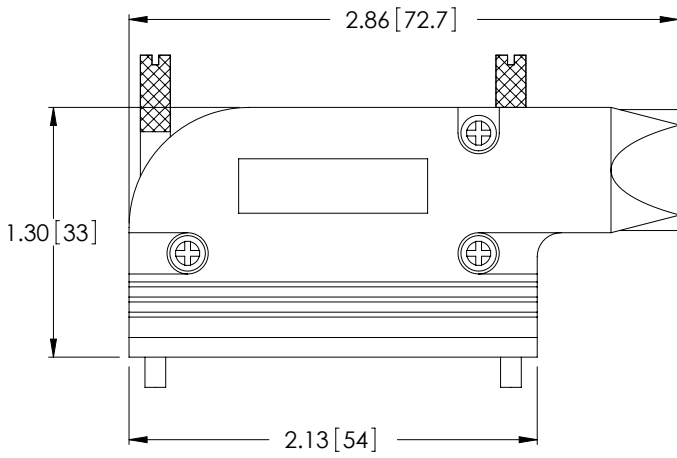
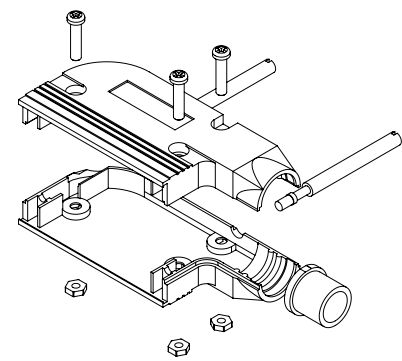


THE INFORMATION CONTAINED IN THIS DRAWING IS THE SOLE PROPERTY OF L-COM, INC. ANY REPRODUCTION IN PART OR WHOLE WITHOUT THE WRITTEN PERMISSION OF L-COM, INC. IS PROHIBITED.

REVISIONS			
REV	DESCRIPTION	DATE	APPROVED
A	RELEASED FOR PRODUCTION	03/04/02	MCCORMICK
B	ECN# 2731 - ADDED ROHS STAMP	10/23/07	D.GRIFFIN
C	ECN 10726: UPDATE MODEL, DIM'S AND NOTES	10/16/2020	BGATES
D	ECN 11011: CORRECTED GROMMET INNER DIAMETERS	03/10/2021	BGATES




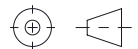
GROMMETS AS SUPPLIED



NOTES:
MATERIAL:
 HOOD: DIE CAST ZINC ALLOY
 JACKSCREWS: STEEL
 ASSEMBLY HARDWARE: STEEL
 STRAIN RELIEF GROMMETS: PVC (BLACK)

FINISH:
 HOOD: NICKEL PLATED, MATTE FINISH ON MAJOR SURFACES
 JACKSCREWS: NICKEL PLATED
 ASSEMBLY SCREWS: NICKEL PLATED

MISCELLANEOUS:
 INTENDED FOR USE WITH 25-PIN STANDARD AND 44-PIN HIGH DENSITY D-SUBMINIATURE CONNECTORS.
 HOOD KIT SHALL BE INDIVIDUALLY PACKAGED IN ACCORDANCE WITH L-COM SPECIFICATION PS-0031.

UNLESS OTHERWISE SPECIFIED, DIMENSIONS ARE IN INCHES [mm] OVERALL CABLE LENGTH TOLERANCE: ≤12 [305] = +1 [25] / -0 >12 [305] ≤60 [1524] = +2 [51] / -0 >60 [1524] ≤120 [3048] = +4 [102] / -0 >120 [3048] ≤300 [7620] = +6 [152] / -0 >300 [7620] = +5% / -0 ALL OTHER DIMENSIONAL TOLERANCES: .X = ± .2 [5] FRACTIONS ± 1/32 .XX = ± .02 [5] ANGLES ± 1° .XXX = ± .005 [13]	APPROVALS DRAWN BY MCCORMICK CHECKED BY D.PARHAM APPROVED BY R.CARRICK	DATE 02/27/02 02/27/02 02/27/02	 an INFINITO brand	50 High Street, West Mill, North Andover, MA 01845 USA. Phone: 1.800.341.5266 1.978.682.6936					
	CONFIGURATION DETAILS OF UNDIMENSIONED FEATURES MAY VARY				CATEGORY D-SUBMINIATURE				
	THIRD-ANGLE PROJECTION 	COLOR VARIATIONS MAY OCCUR	SIZE A	CAGE CODE 43321	DWG. NO. SDRA25AG	REF	SCALE: NONE	CAD FILE: SDRA25AG.SLDDRW	SHEET 1 OF 1