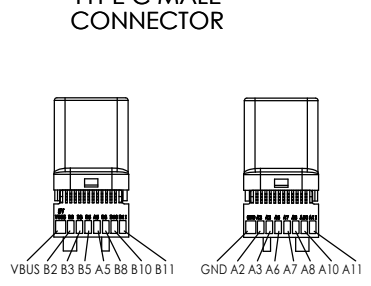
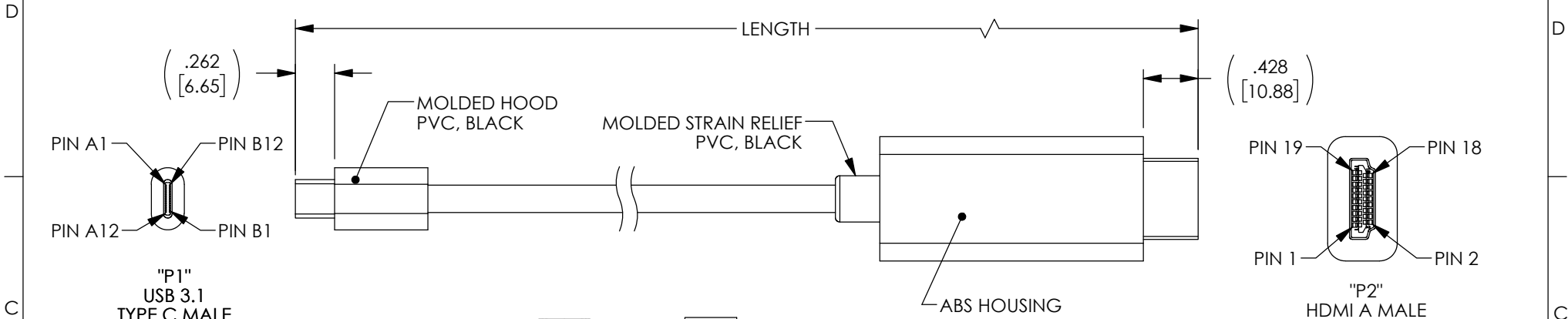
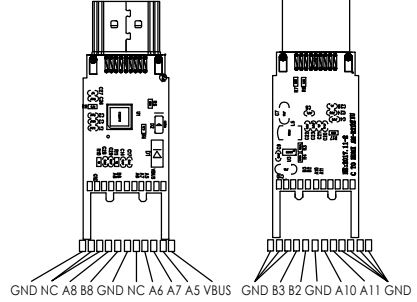


THE INFORMATION CONTAINED IN THIS DRAWING IS THE SOLE PROPERTY OF L-COM, INC. ANY REPRODUCTION IN PART OR WHOLE WITHOUT THE WRITTEN PERMISSION OF L-COM, INC. IS PROHIBITED.

REVISIONS			
REV	DESCRIPTION	DATE	APPROVED
A	INITIAL RELEASE	07/30/2020	MBLACKWOOD
B	ECN 10678: CREATED 3D MODEL AND REVISED FORMAT	09/17/2020	MBLACKWOOD



USB TYPE C MALE

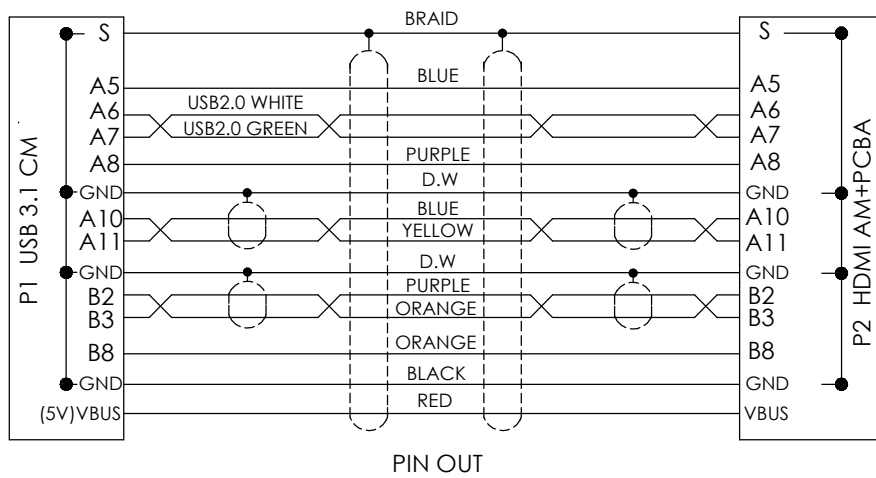


HDMI MALE

PART NUMBER	LENGTH(mm)
VHA00020-1M	1000.0 ±30.0
VHA00020-3M	3000.0 ±80.0

NOTES:

- USB 3.1 CABLE
 - (4) TWISTED PAIR, INDIVIDUALLY SHIELDED 32AWG COPPER
 - (4) CONDUCTOR 32AWG COPPER
 - (1) TWISTED PAIR 32AWG COPPER
 - (1) CONDUCTOR 24AWG COPPER
 - (1) CONDUCTOR 26AWG COPPER
 WITH BRAIDED SHIELD. JACKET PVC, BLACK O.D. .185" [4.7]
- ELECTRICAL TEST:
 - 100% USB3.1 TO HDMI 2160P TEST
 - (1)- SIGNAL SOURCE RESOLUTION UXGA: 3840*2160P.
 - (2)- FREQUENCY: 30Hz
 - (3)- THERE SHALL BE NO SIGNAL JITTER, DRAGGING IN THE VIDEO, GHOSTING, LACK OF COLOR OR ANY OTHER ABNORMAL DISPLAY.
 - (4)- AUDIO SHALL HAVE NO BACKGROUND NOISE.
- CABLE ASSEMBLY SHALL BE INDIVIDUALLY PACKAGED INTO A CLEAR POLYBAG, LABEL PER LSP-010.
- ALL DIMENSIONS ARE FOR REFERENCE ONLY.
- DUST CAPS ARE INSTALLED AT SHIPPING (NOT SHOWN).



PIN OUT

UNLESS OTHERWISE SPECIFIED, DIMENSIONS ARE IN INCHES [mm] OVERALL CABLE LENGTH TOLERANCE: ≤12 [305] = +1 [25] / -0 >12 [305] ≤60 [1524] = +2 [51] / -0 >60 [1524] ≤120 [3048] = +4 [102] / -0 >120 [3048] ≤300 [7620] = +6 [152] / -0 >300 [7620] = +5% / -0 ALL OTHER DIMENSIONAL TOLERANCES: .X = ± .2 [5] FRACTIONS ± 1/32 .XX = ± .02 [5] ± 1/32 .XXX = ± .005 [13] ANGLES ± 1°	APPROVALS DRAWN BY SLI CHECKED BY MBLACKWOOD APPROVED BY MBLACKWOOD	DATE 07/24/2020 07/24/2020 07/24/2020	an INFINITI brand 50 High Street, West Mill, North Andover, MA 01845 USA. Phone: 1.800.341.5266 1.978.682.6936
	CONFIGURATION DETAILS OF UNDIMENSIONED FEATURES MAY VARY COLOR VARIATIONS MAY OCCUR	CATEGORY VIDEO	
THIRD-ANGLE PROJECTION 	SIZE A	CAGE CODE 43321	DWG. NO. VHA00020
SCALE: NONE		CAD FILE: VHA00020.SLDDRW	SHEET 1 OF 1