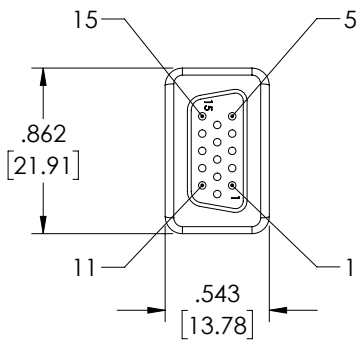
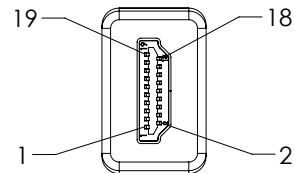
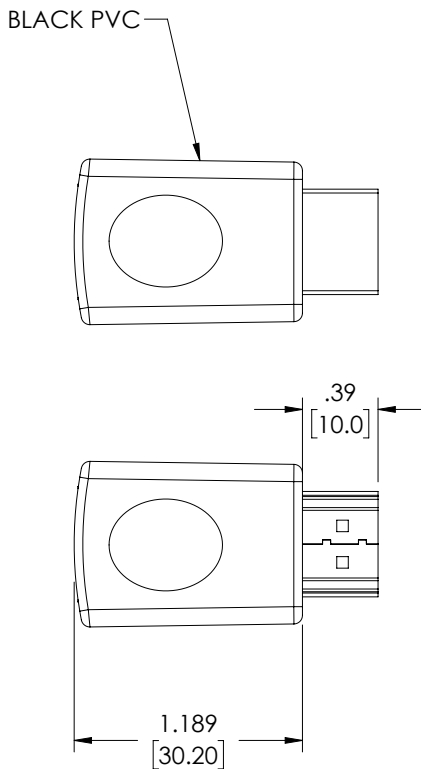


THE INFORMATION CONTAINED IN THIS DRAWING IS THE SOLE PROPERTY OF L-COM, INC. ANY REPRODUCTION IN PART OR WHOLE WITHOUT THE WRITTEN PERMISSION OF L-COM, INC. IS PROHIBITED.

REVISIONS			
REV	DESCRIPTION	DATE	APPROVED
A	INITIAL RELEASE	6/13/17	R.CLARK
B	ECN 11039: ADDED NOTE 3	03/17/2021	DZINN



P1
HD15 FEMALE
INSULATION BLACK
GOLD FLASH PIN



P2
HDMI MALE
WITH PCB

NOTES:


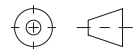
ELECTRICAL PROPERTIES:

1. CABLE ASSEMBLY SHALL BE TESTED FOR CONTINUITY
2. VOLTAGE TEST: DC 300V 10ms
INSULATION RESISTANCE: 10.0M ohm/min
CONDUCTANCE RESISTANCE: 2.0 ohm/max

MISCELLANEOUS:

1. ALL DIMENSIONS ARE FOR REFERENCE ONLY AND ARE "mm" EXCEPT WHERE SPECIFIED.
2. CABLE ASSEMBLY SHALL BE INDIVIDUALLY PACKAGED IN ACCORDANCE WITH L-COM SPECIFICATION PS-0031.
3. INCLUDES DC3.5 TO DC3.5 CABLE, 31.5 [800] LENGTH, NOT SHOWN.



UNLESS OTHERWISE SPECIFIED, DIMENSIONS ARE IN INCHES [mm] OVERALL CABLE LENGTH TOLERANCE: ≤12 [305] = +1 [25] / -0 >12 [305] ≤60 [1524] = +2 [51] / -0 >60 [1524] ≤120 [3048] = +4 [102] / -0 >120 [3048] ≤300 [7620] = +6 [152] / -0 >300 [7620] = +5% / -0 ALL OTHER DIMENSIONAL TOLERANCES: .X = ± .2 [5] FRACTIONS ± 1/32 .XX = ± .02 [5] ANGLES ± 1° .XXX = ± .005 [13]	APPROVALS DRAWN BY R.CLARK CHECKED BY B.GATES APPROVED BY B.GATES	DATE 06/13/17 06/14/17 06/14/17	 50 High Street, West Mill, North Andover, MA 01845 USA. Phone: 1.800.341.5266 1.978.682.6936		
	CONFIGURATION DETAILS OF UNDIMENSIONED FEATURES MAY VARY			CATEGORY AUDIO VIDEO	
THIRD-ANGLE PROJECTION 	COLOR VARIATIONS MAY OCCUR	SIZE A	CAGE CODE 43321	ITEM NO. VHC00019	REV. B
SCALE: NONE		CAD FILE: VHC00019.SLDDRW		SHEET 1 OF 1	