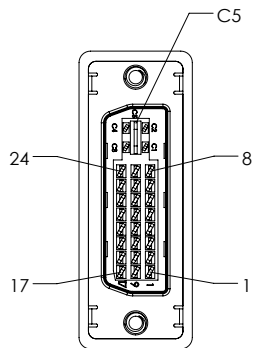


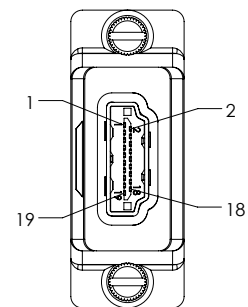
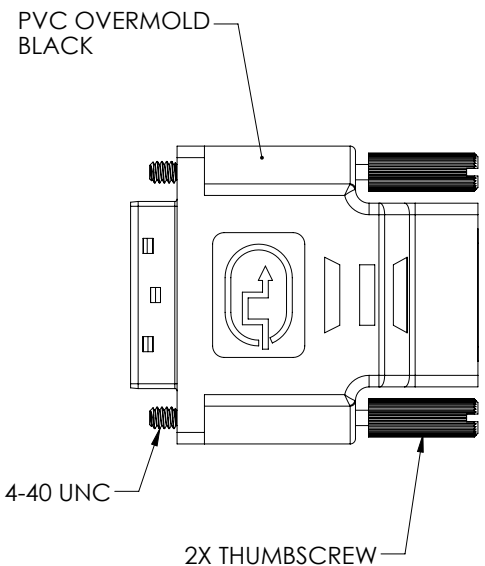
THE INFORMATION CONTAINED IN THIS DRAWING IS THE SOLE PROPERTY OF L-COM, INC. ANY REPRODUCTION IN PART OR WHOLE WITHOUT THE WRITTEN PERMISSION OF L-COM, INC. IS PROHIBITED.

REVISIONS			
REV	DESCRIPTION	DATE	APPROVED
A	INITIAL RELEASE	8/1/2017	R.CLARK

WIRING MAP	
"P1"	"J1"
3	1
1	2
2	3
6	9
4	10
5	11
9	17
7	18
8	19
12	24
10	23
11	22
15	6
16	7
17	15
18	14
19	16
SHELL	SHELL



"P1"
DVI-D DUAL LINK
MALE CONNECTOR
(BLACK INSULATOR)



"J1"
HDMI FEMALE CONNECTOR
BLACK INSULATOR
NICKEL PLATED SHELL

NOTES:

- ADAPTOR IS SHIPPED WITH DUST COVERS IN PLACE (NOT SHOWN)
- ADAPTOR SHALL BE TESTED FOR CONTINUITY.
- ADAPTOR SHALL BE INDIVIDUALLY PACKAGED IN ACCORDANCE WITH L-COM SPECIFICATION PS-0031.

REGULATORY COMPLIANCE:
CE2011/65/EU (RoHS DIRECTIVE)

UNLESS OTHERWISE SPECIFIED, DIMENSIONS ARE IN INCHES [mm] OVERALL CABLE LENGTH TOLERANCE: ≤ 12 [305] = +1 [25] / -0 > 12 [305] ≤ 60 [1524] = +2 [51] / -0 > 60 [1524] ≤ 120 [3048] = +4 [102] / -0 > 120 [3048] ≤ 300 [7620] = +6 [152] / -0 > 300 [7620] = +5% / -0% ALL OTHER DIMENSIONAL TOLERANCES: .X = ± .2 [5.08] .XX = ± .02 [5.1] .XXX = ± .005 [1.3]	APPROVALS DRAWN BY R.CLARK	DATE 8/1/2017		50 HIGH STREET NORTH ANDOVER, MA 01845		
	CHECKED BY M.MARTINEZ	DATE 8/2/2017		CATEGORY AUDIO/VIDEO		
APPROVED BY B.GATES	DATE 8/3/2017	PRODUCT DESCRIPTION ADPTR DVI24+5 M to HDMI F	SIZE A	FSCM NO. 43321	DWG. NO. VIC00015	REV. A
PROJECTION 	COLOR VARIATIONS MAY OCCUR	SCALE: NONE	CAD FILE: VIC00015.SLDDRW	SHEET 1 OF 1		