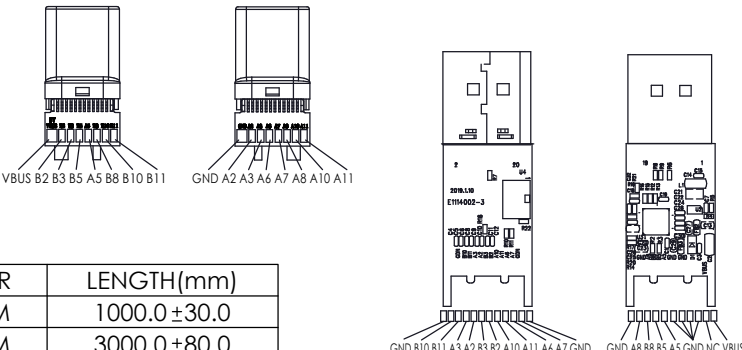
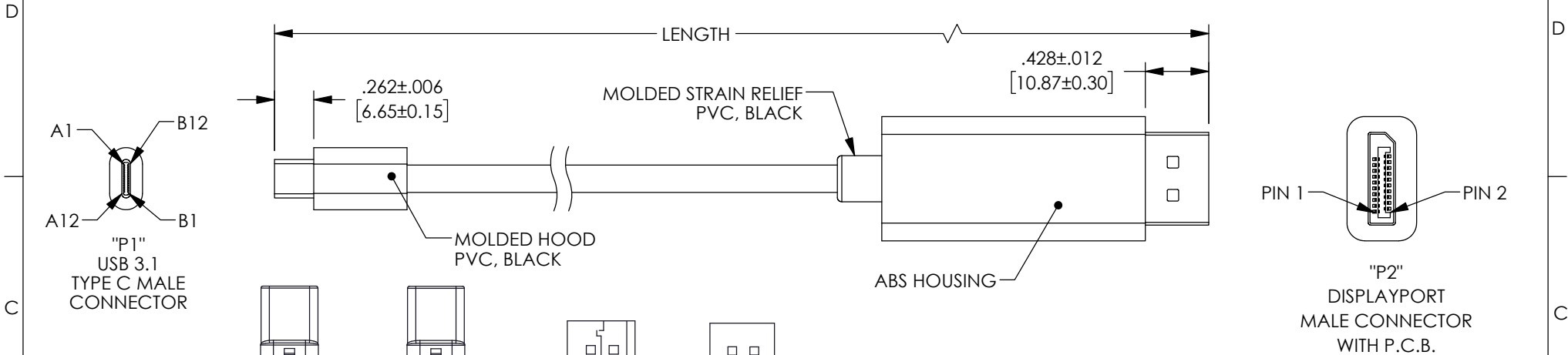


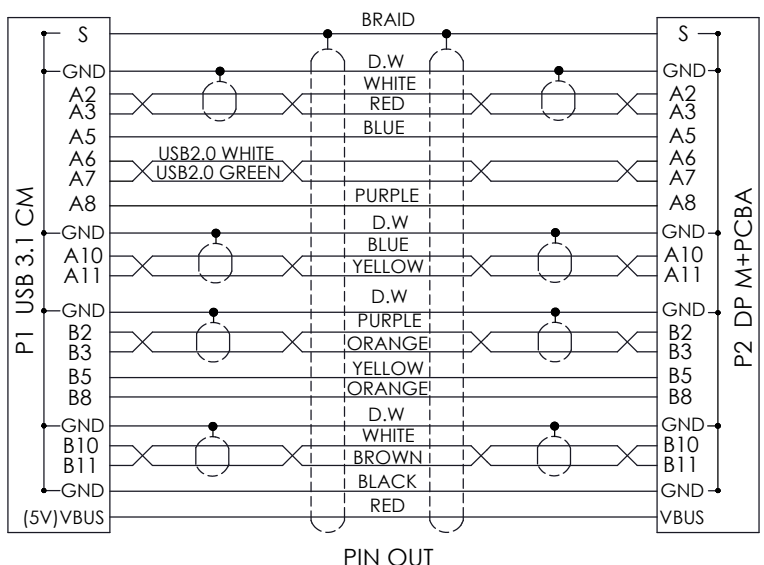
THE INFORMATION CONTAINED IN THIS DRAWING IS THE SOLE PROPERTY OF L-COM, INC. ANY REPRODUCTION IN PART OR WHOLE WITHOUT THE WRITTEN PERMISSION OF L-COM, INC. IS PROHIBITED.

REVISIONS			
REV	DESCRIPTION	DATE	APPROVED
A	INITIAL RELEASE	07/30/2020	MBLACKWOOD
B	ECN 10678: CREATED 3D MODEL AND REVISED FORMAT	10/01/2020	MBLACKWOOD



PART NUMBER	LENGTH(mm)
VPA00001-1M	1000.0±30.0
VPA00001-3M	3000.0±80.0

- NOTES:**
1. USB 3.1 CABLE
 - (4) TWISTED PAIR, INDIVIDUALLY SHIELDED 32AWG COPPER
 - (4) CONDUCTOR 32AWG COPPER
 - (1) TWISTED PAIR 32AWG COPPER
 - (1) CONDUCTOR 24AWG COPPER
 - (1) CONDUCTOR 26AWG COPPER
 WITH BRAIDED SHIELD. JACKET PVC, BLACK O.D. .185" [4.7]
 2. ELECTRICAL TEST:
 - 100% USB3.1 TO DP 2160P TEST
 - (1)- SIGNAL SOURCE RESOLUTION UXGA: 3840*2160P.
 - (2)- FREQUENCY: 60Hz
 - (3)- THERE IS NO SIGNAL JITTER AND DRAGGING IN THE VIDEO, GHOST, LACK OF COLOR AND OTHER ABNORMAL DISPLAY.
 - (4)- AUDIO NO NOISE, SOUND CLEAR.
 3. PACKAGING:
 - CABLE ASSEMBLY SHALL BE INDIVIDUALLY PACKAGED INTO A CLEAR POLYBAG, LABEL PER LSP-010.
 4. ALL DIMENSIONS ARE FOR REFERENCE ONLY.
 5. DUST CAPS INSTALLED AT SHIPPING, NOT SHOWN.



UNLESS OTHERWISE SPECIFIED, DIMENSIONS ARE IN INCHES [mm] OVERALL CABLE LENGTH TOLERANCE: ≤12 [305] ≤+1 [25] / -0 >12 [305] ≤60 [1524] = +2 [51] / -0 >60 [1524] ≤120 [3048] = +4 [102] / -0 >120 [3048] ≤300 [7620] = +6 [152] / -0 >300 [7620] = +5% / -0 ALL OTHER DIMENSIONAL TOLERANCES: .X = ±.2 [5] FRACTIONS ± 1/32 .XX = ±.02 [5] ± 1/32 .XXX = ±.005 [13] ANGLES ± 1°	APPROVALS DRAWN BY SLI CHECKED BY MBLACKWOOD APPROVED BY MBLACKWOOD	DATE 07/24/2020 07/24/2020 07/24/2020	50 High Street, West Mill, North Andover, MA 01845 USA. Phone: 1.800.341.5266 1.978.682.6936
	CONFIGURATION DETAILS OF UNDIMENSIONED FEATURES MAY VARY	CATEGORY VIDEO	
THIRD-ANGLE PROJECTION	COLOR VARIATIONS MAY OCCUR	SIZE A CAGE CODE 43321 DWG. NO. VPA00001	REV. B
SCALE: NONE CAD FILE: VPA00001.SLDDRW		SHEET 1 OF 1	