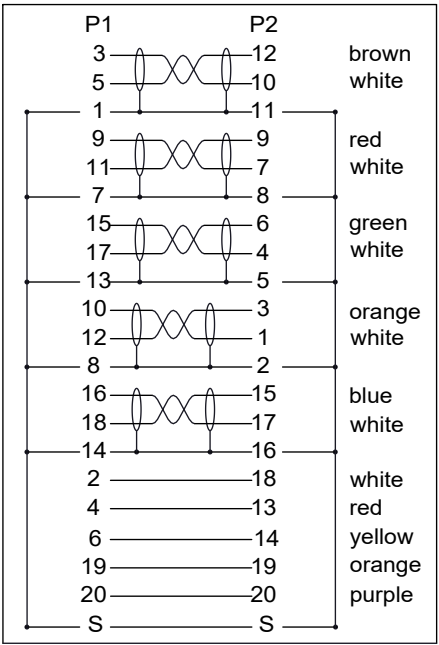
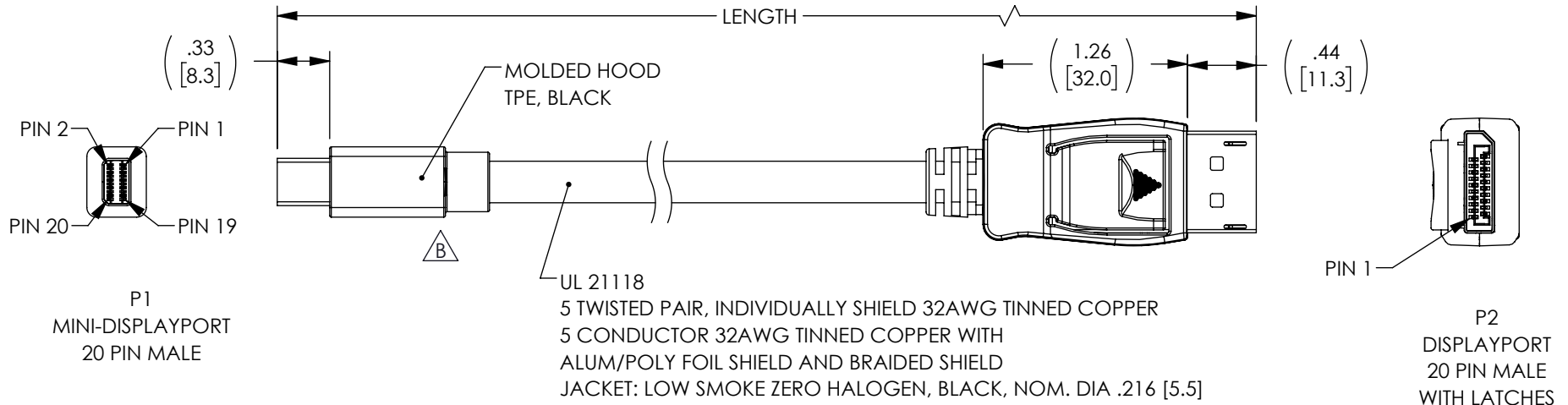


THE INFORMATION CONTAINED IN THIS DRAWING IS THE SOLE PROPERTY OF L-COM, INC. ANY REPRODUCTION IN PART OR WHOLE WITHOUT THE WRITTEN PERMISSION OF L-COM, INC. IS PROHIBITED.

REVISIONS			
REV	DESCRIPTION	DATE	APPROVED
A	INITIAL RELEASE	09/11/2020	MBLACKWOOD
B	P1 STRAIN RELIEF WAS SERRATED, IS SOLID.	12/09/2020	MBLACKWOOD



PIN OUT

PART NUMBER	LENGTH(mm)
VPA00002-1M	1000.0 ± 30.0
VPA00002-3M	3000.0 ± 80.0

NOTES:

- DUST CAPS INSTALLED PRIOR TO SHIPPING (NOT SHOWN)
- ELECTRICAL:
  - NO OPEN/SHORTS, MISWIRING AND INTERMITTENT FAILURES.
  - CABLE SHALL BE 100% ELECTRICAL TESTED
  - VOLTAGE TEST: DC 300V 10MS;
  - INSULATION RESISTANCE: 10.0M ohm/min;
  - CONDUCTOR RESISTANCE: 2.0 ohm/max .
- CABLE ASSEMBLY SHALL BE INDIVIDUALLY PACKAGED IN A CLEAR POLYBAG PER LSP-010-2 LABEL ON THE BAG.
- P1 END MUST USE COPPER FOIL AND SOLDER THE BRAID 360 DEGREE TO THE SHELL.

UNLESS OTHERWISE SPECIFIED, DIMENSIONS ARE IN INCHES [mm] OVERALL CABLE LENGTH TOLERANCE: ≤12 [305] = +1 [25] / -0 >12 [305] ≤60 [1524] = +2 [51] / -0 >60 [1524] ≤120 [3048] = +4 [102] / -0 >120 [3048] ≤300 [7620] = +6 [152] / -0 >300 [7620] = +5% / -0 ALL OTHER DIMENSIONAL TOLERANCES: .X = ± .2 [5]      FRACTIONS ± 1/32 .XX = ± .02 [5]      ANGLES ± 1° .XXX = ± .005 [1.3]	APPROVALS DRAWN BY MVEERAPPAN CHECKED BY DFRISIELLO APPROVED BY MBLACKWOOD	DATE 08/23/2020 09/11/2020 09/11/2020	50 High Street, West Mill, North Andover, MA 01845 USA. Phone: 1.800.341.5266 1.978.682.6936
	CONFIGURATION DETAILS OF UNDIMENSIONED FEATURES MAY VARY COLOR VARIATIONS MAY OCCUR	CATEGORY VIDEO	PRODUCT DESCRIPTION MINI-DP to DP, LSZH CABLE