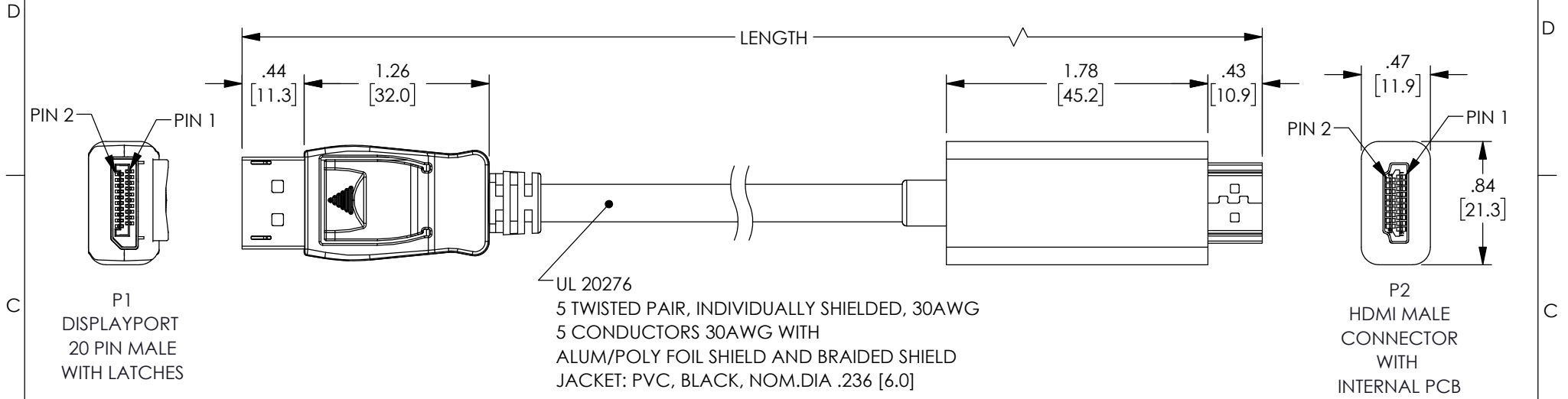
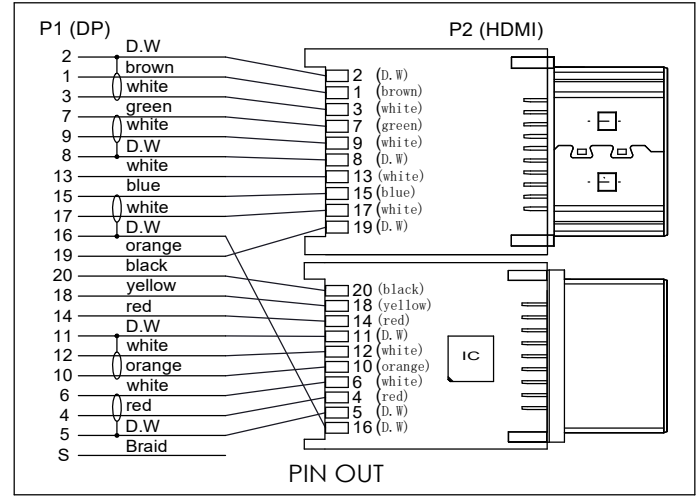


THE INFORMATION CONTAINED IN THIS DRAWING IS THE SOLE PROPERTY OF L-COM, INC. ANY REPRODUCTION IN PART OR WHOLE WITHOUT THE WRITTEN PERMISSION OF L-COM, INC. IS PROHIBITED.

| REVISIONS |                 |            |            |
|-----------|-----------------|------------|------------|
| REV       | DESCRIPTION     | DATE       | APPROVED   |
| A         | INITIAL RELEASE | 09/14/2020 | MBLACKWOOD |
|           |                 |            |            |
|           |                 |            |            |



| PART NUMBER | LENGTH(mm)    |
|-------------|---------------|
| VPA00003-1M | 1000.0 ± 30.0 |
| VPA00003-3M | 3000.0 ± 80.0 |



- NOTES:**
- ALL DIMENSIONS ARE FOR REFERENCE ONLY.
  - ELECTRICAL TEST: 100% DP TO HDMI 2160P TEST
    - SIGNAL SOURCE RESOLUTION UXGA: 3840 x 2160P.
    - FREQUENCY: 30Hz.
    - THERE IS NO SIGNAL JITTER AND DRAGGING IN THE VIDEO GHOST, LACK OF COLOR AND OTHER ABNORMAL DISPLAY
    - AUDIO NO NOISE, SOUND CLEAR.
  - PACKAGE: COMPONENT SHALL BE PACKAGED IN ACCORDANC: WITH A LSP-010-2 LABEL ON THE BAG.

|  |  |  |   |
|--|--|--|---|
| UNLESS OTHERWISE SPECIFIED, DIMENSIONS ARE IN INCHES [mm]<br>OVERALL CABLE LENGTH TOLERANCE:<br>≤12 [305] = +1 [25] / -0<br>>12 [305] ≤60 [1524] = +2 [51] / -0<br>>60 [1524] ≤120 [3048] = +4 [102] / -0<br>>120 [3048] ≤300 [7620] = +6 [152] / -0<br>>300 [7620] = +5% / -0<br>ALL OTHER DIMENSIONAL TOLERANCES:<br>.X = ± .2 [5]      FRACTIONS ± 1/32<br>.XX = ± .02 [5]    ANGLES ± 1°<br>.XXX = ± .005 [13] | APPROVALS<br>DRAWN BY: MVEERAPPAN<br>CHECKED BY: DFRISIELLO<br>APPROVED BY: MBLACKWOOD | DATE<br>08/23/2020<br>09/14/2020<br>09/14/2020   | an INFINITO brand<br>50 High Street, West Mill, North Andover, MA 01845 USA. Phone: 1.800.341.5266 1.978.682.6936 |
|  | THIRD-ANGLE PROJECTION<br>   | CONFIGURATION DETAILS OF UNDIMENSIONED FEATURES MAY VARY<br>COLOR VARIATIONS MAY OCCUR |   |
| SIZE: A<br>SCALE: NONE   |  | CAGE CODE: 43321<br>CAD FILE: VPA00003.SLDDRW  | ITEM NO.: VPA00003<br>SHEET 1 OF 1  |