

## GLOBAL CONNECTIVITY SOLUTIONS



## FIBER OPTIC SOLUTIONS

AVAILABLE FOR SAME-DAY SHIPPING



# L-COM FIBER OPTIC SOLUTIONS

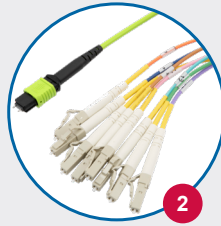
## MPO PATCH CABLES, FAN-OUTS, AND CONVERSION HARNESSES OPTIONS

### CABLE ASSEMBLY TYPES

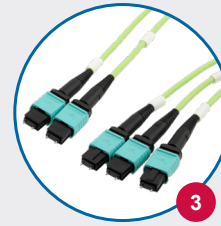
1. Patch Cable ("Trunk" cable)
2. Fan-out ("Break-out")
3. Conversion Harness



1



2



3

### CABLE ASSEMBLY OPTIONS

**OPTION:**  
Fiber Count

**SOLUTION:**  
6, 8, 12, 24 count fiber cable assemblies



**OPTION:**  
Length

**SOLUTION:**  
Various in-stock lengths, custom lengths available.



**OPTION:**  
Connector Gender

**SOLUTION:**  
Male (pinned)  
Female (non-pinned)



**OPTION:**  
Cable Polarity

**SOLUTION:**  
Keyed connectors, Type A (straight) or Type B (rollover)



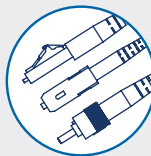
**OPTION:**  
Jacket Rating

**SOLUTION:**  
OFNR (riser) LSZH (low smoke, zero halogen)



**OPTION:**  
Fiber Type

**SOLUTION:**  
OM1 through OM5, and Single Mode fiber



**OPTION (Fan-Out):**  
Connectors

**SOLUTION:**  
LC, Flex-boot LC, SC, and ST connectors available



**OPTION (Conversion Harness):** Conversion Types

**SOLUTION:**  
MPO24 to 2xMPO12 or to 3xMPO8/3xMPO8 to 2xMPO12  
For fiber reclamation, optimization, and data link aggregation

L-com offers a broad range of fiber optic solutions across a wide array of applications. Our solutions are used by commercial business, governments, the military and many other industries for a variety of applications involving the transmission of voice, video and data. We offer many fiber optic options including cable assemblies, couplers, adapters, attenuators, connectors and various tools. In addition, L-com offers bulk fiber cable as specific needs dictate.

Our fiber optic solutions offer high speed connectivity increasing productivity while providing enhanced signal strength across greater distances. Fiber optic cabling is lightweight making it easy to deploy and provides better reliability and security through resistance to human or electrical interference. L-com's fiber optic solutions are low maintenance and "future proofed" to increases in data rates and frequency and work equally well for both analog and digital transmission.

## ADVANTAGES



### L-com Makes it Easy and Fast with Same-day Shipping

Ordering is easy through our L-com website where we provide quality, off-the-shelf standard fiber optic solutions with a commitment to in-stock availability and same-day shipping.



### Custom Fiber Optic Solutions

We offer the most popular types of Simplex, Duplex, Breakout and Distribution style cables. All are available from stock in 1 meter intervals with a 25 meter minimum unless otherwise noted. Other cabling types are available by request.

## APPLICATIONS



**Data Communications**  
Enterprise networking, data centers, storage and cloud-based services



**Mobility/Wireless Infrastructure**  
Fiber to the antenna/small cell for LTE and 5G, backhaul over fiber and metro Ethernet business services and other telecommunication applications

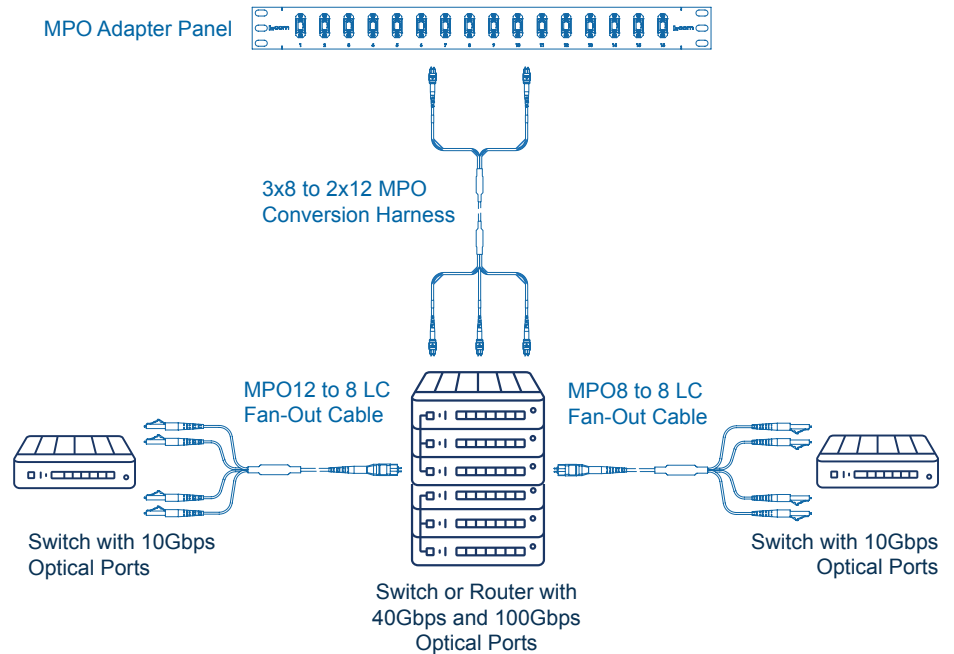


**Military/Aerospace**  
Avionics including cameras, in-flight services, flight controls, data bus, plus research/prototyping and lab use



**Harsh, Industrial and Outdoor Environments**  
Use in many harsh environments including industrial networking, transportation, security and oil and gas

## Sample Fiber Optic Environment



*\*Switches, routers and optical ports for reference only, not sold by L-com.*

## ACCESSORIES

L-com offers a variety of accessories that help you build and maintain your fiber optic applications.

Our individual accessories include:

- Fiber Couplers and Adapters
- Fiber Attenuators
- Bulk Fiber Cable
- Fiber Connectors
- Fiber Tools

L-COM IS THE PREMIER SOURCE FOR THE  
CONNECTIVITY SOLUTIONS YOU NEED,  
**WHEN YOU NEED THEM.**



USA & Canada +1 (800) 341-5266 | International +1 (978) 682-6936 | [L-com.com](http://L-com.com)